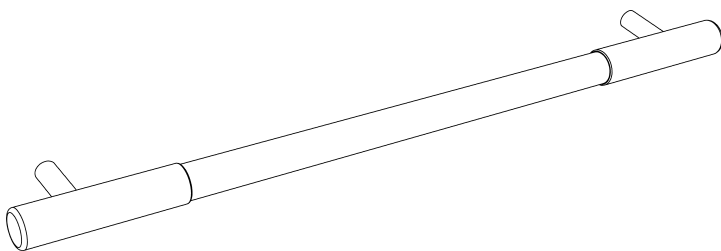


BAGNODESIGN

EXPERTLY CRAFTED BATHROOMS

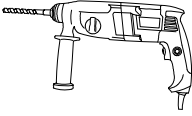
Installation Guide



BDF-REV-350-XX
REVOLUTION VANITY UNIT HANDLE

A member of **SANIPEXGROUP**
www.sanipexgroup.com

Tools Required (Not supplied)



DRILL & BITS



CROSS HEAD SCREWDRIVER

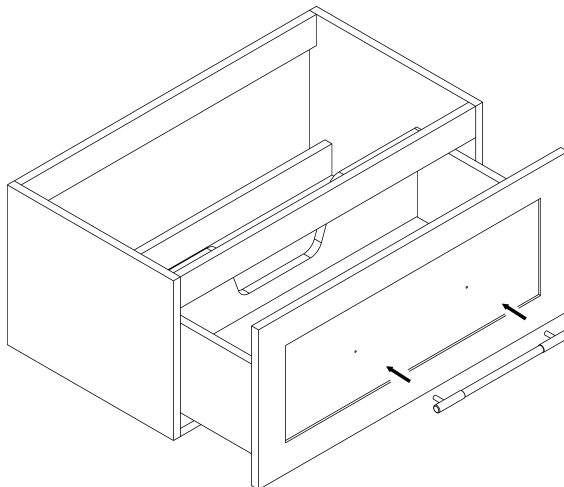
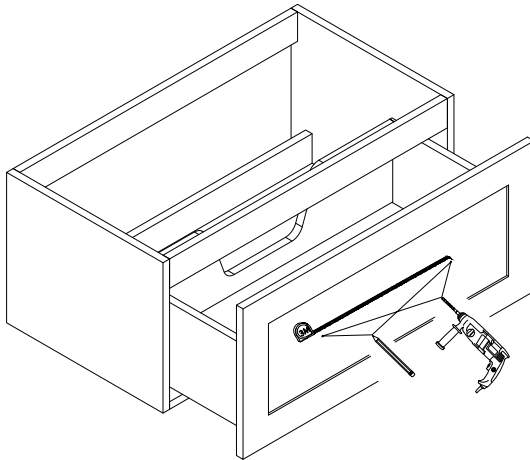


PENCIL

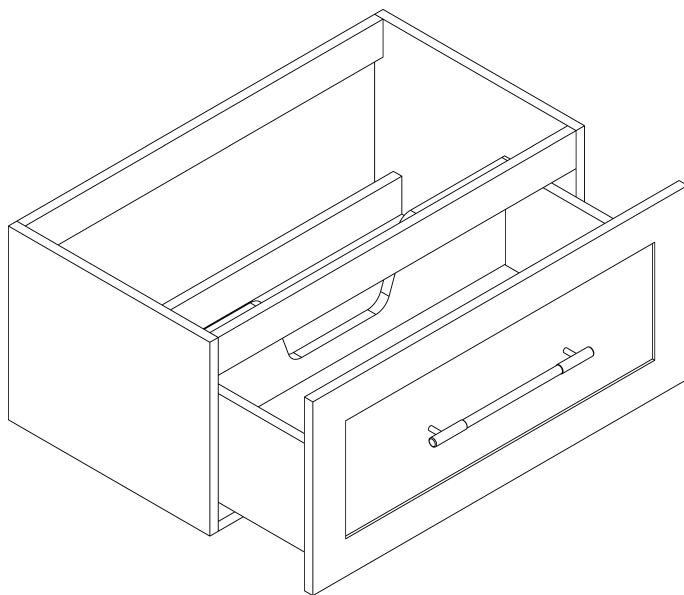
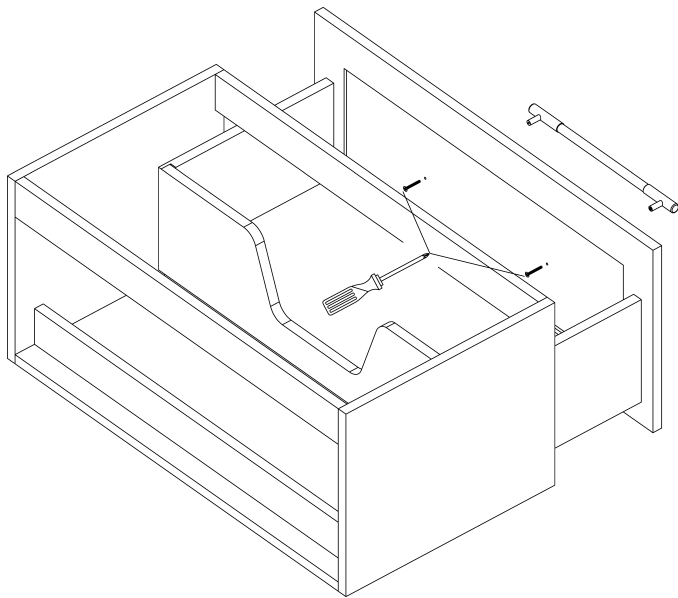


Tape Measure

- 1 By using measuring tape mark the circle location with pencil.
Then using drill machine make two fine holes.



- ② By using screwdriver fix both screws.



INSTALLATION COMPLETE

