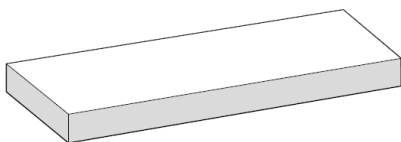


# BAGNODESIGN

EXPERTLY CRAFTED BATHROOMS

---

## General Installation Guide



## FUNKTION

wall mounted countertop 800, 1200 & 1600

A member of  SANIPEXGROUP

Please leave these instructions with the customer



## IMPORTANT PLEASE READ

Remove all packaging and check the product for missing parts or damage before starting installation.

Any alterations made to this product and fittings may infringe water regulations and invalidate the guarantee.

The Installation must comply with all Local/National Water Supply Authority Regulations/Byelaws and Building and Plumbing Regulations.

We strongly recommend that your product be installed by a reputable qualified trade's person.

### **General Installation:**

**Please note this product can require 2 or more persons to lift and manoeuvre into position.**

To the installer: Please read and follow this instruction carefully, as the guarantee is only valid if the product is installed as directed.

Don't rush, read the instructions first and run through them before you begin. Keep fittings together to avoid loss. Do not over tighten screws or bolts.

If the unit is covered with polyethylene protective film, do not remove until installation is complete to grant maximum protection. However, remove film where any two surfaces will be in permanent contact.

Verify that all dimensions on the plan are the same as the ones of the product.

Please leave this installation manual with the end user once the product has been installed.

### **Product Aftercare:**

We recommend cleaning with a soft damp cloth and mild soap solution. Do not use cream cleaners or cleaners containing bleach.

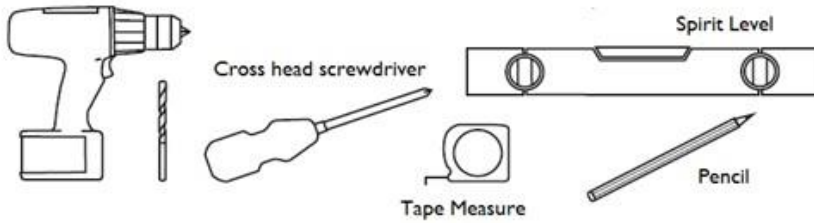
Do not scrub or scour.

Do not use abrasive cleaning agents.

Do not use solvent based cleaners.

Do not allow pools of water to remain standing on the surfaces

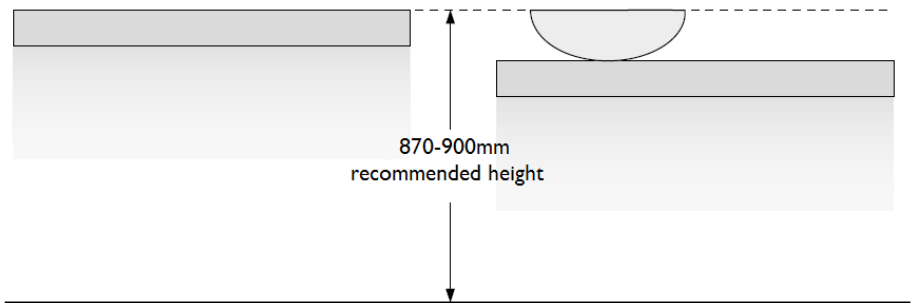
## Tools Required (Not supplied)



### Drill and drill bits

Required when securing the cabinet to a wall. Use an appropriate size bit to match the wall fixing chosen (wall screws and fixings not supplied).

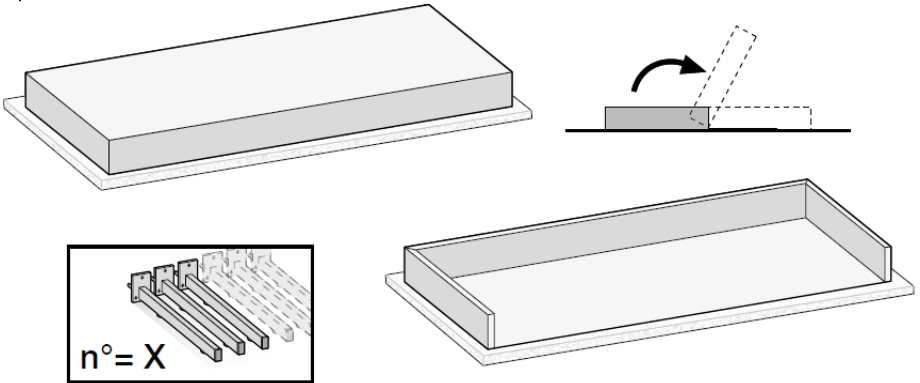
### Installation Height



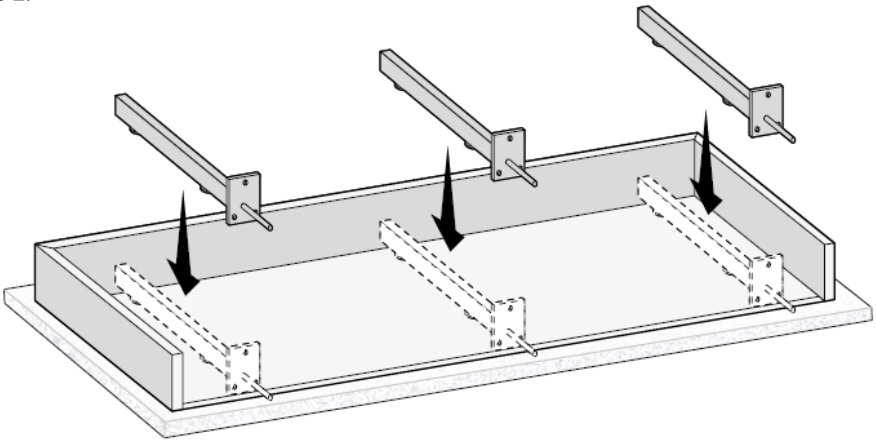
Its recommended that the finished height of a countertop is 870-900mm, when using a Countertop Wash Basin please measure the height of the basin and subtract from the fixing height as per the diagram above. Details of the Wash Basin can

To Install the Countertop Wash Basin please follow the **BAGNODESIGN** Countertop Wash Basin General Installation Guide which can be found on our website.

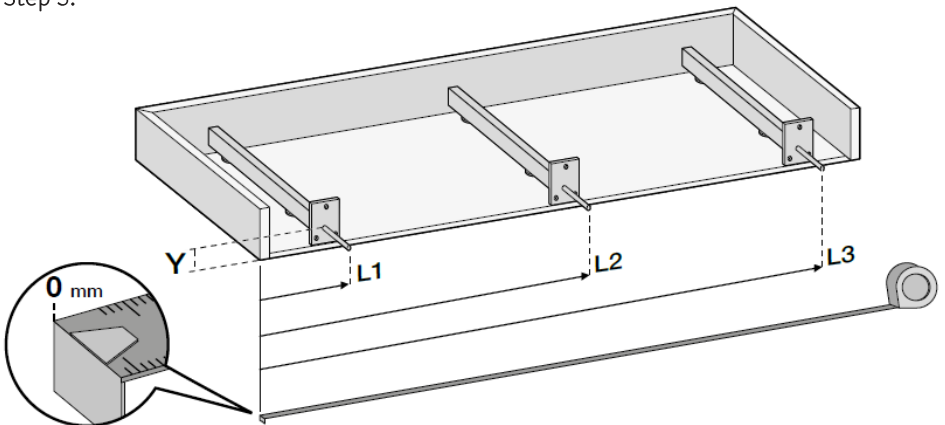
Step 1.



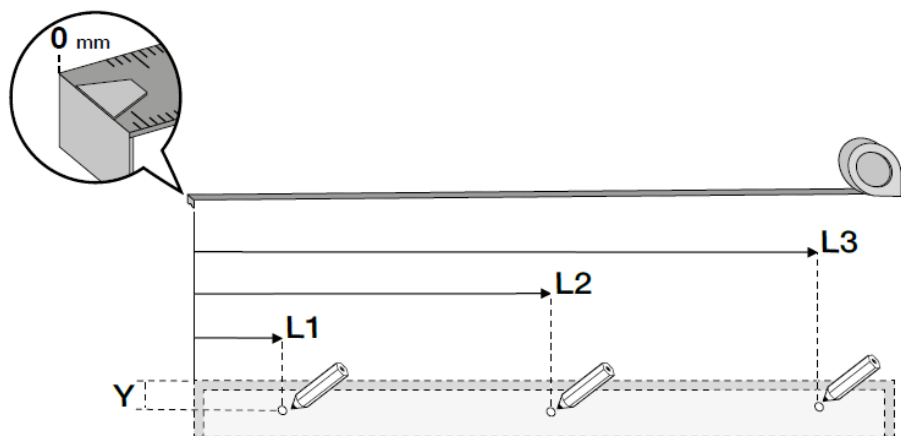
Step 2.



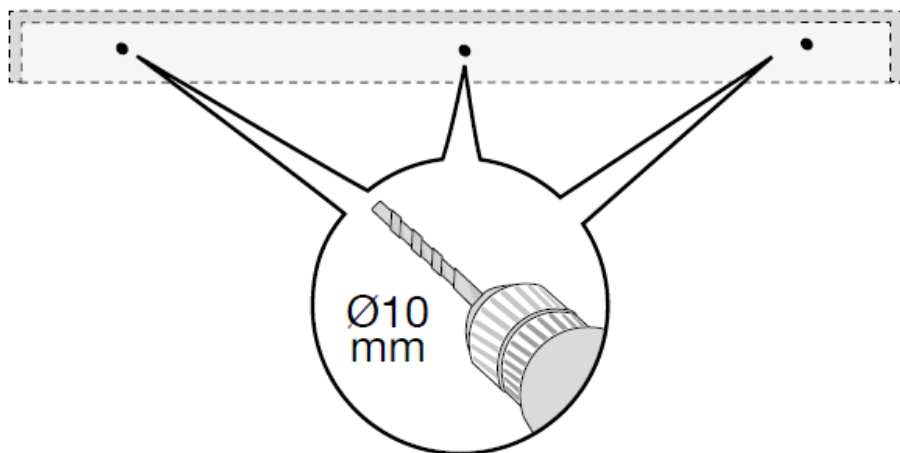
Step 3.



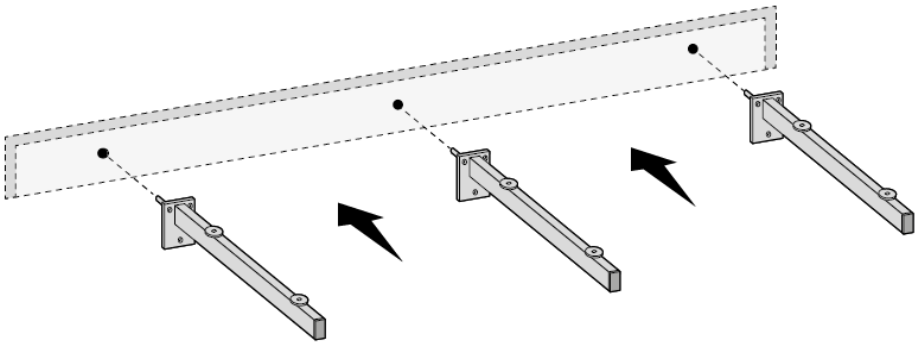
Step 4.



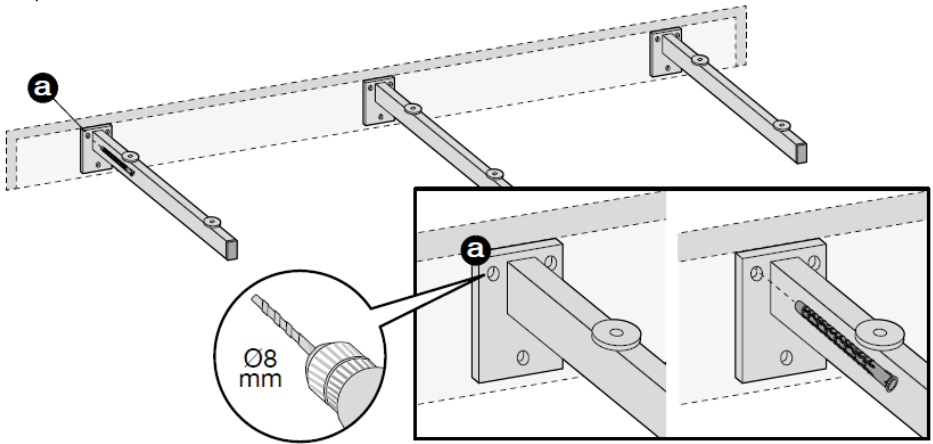
Step 5.



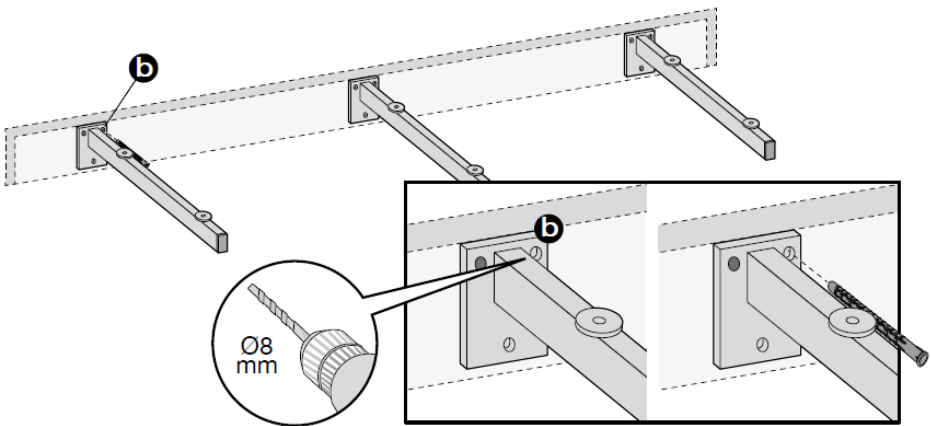
Step 6.



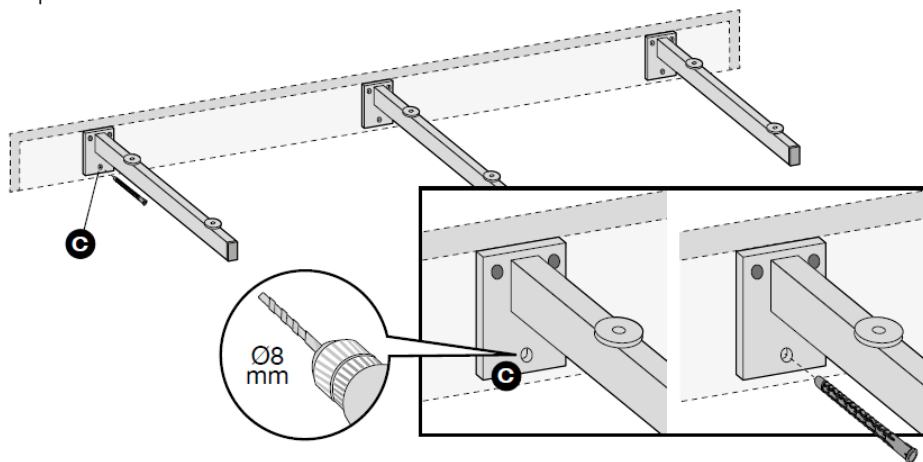
Step 7.



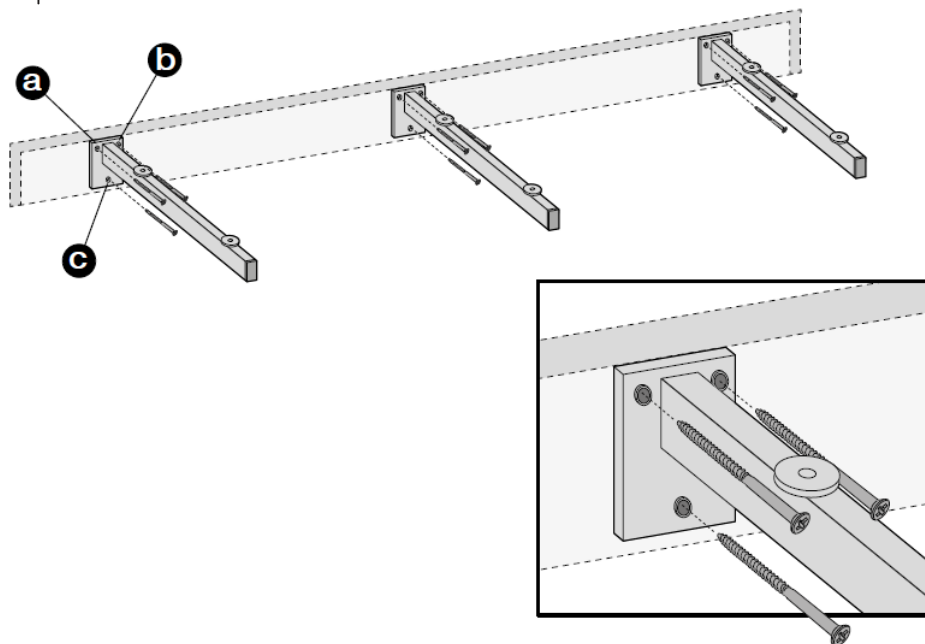
Step 8.



Step 9.

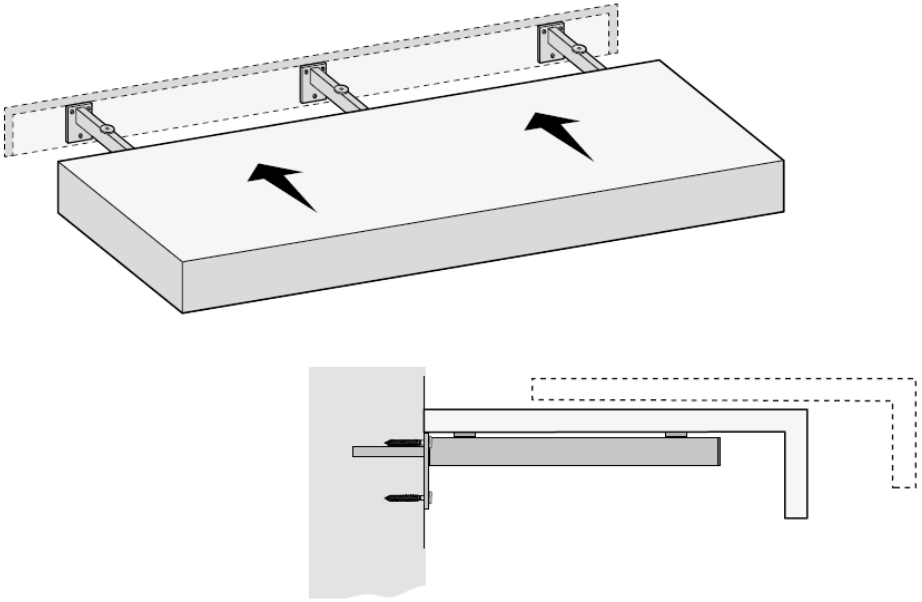


Step 10.

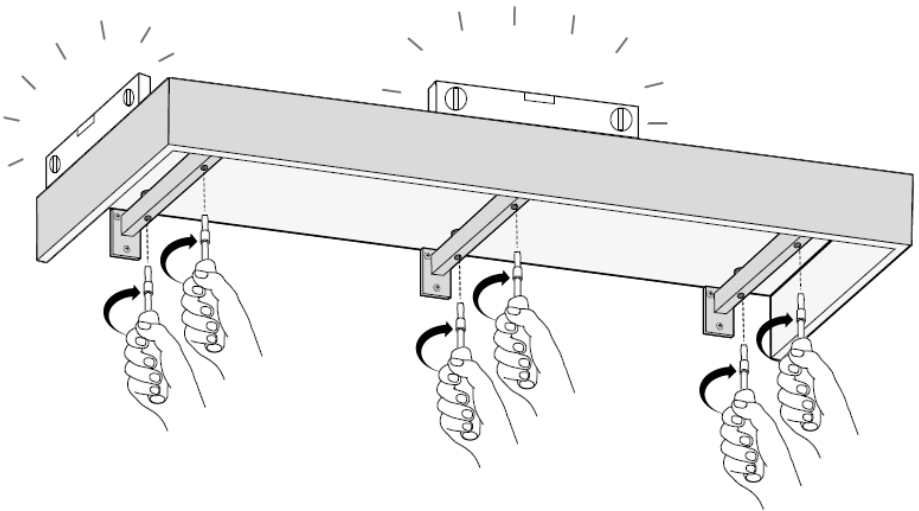




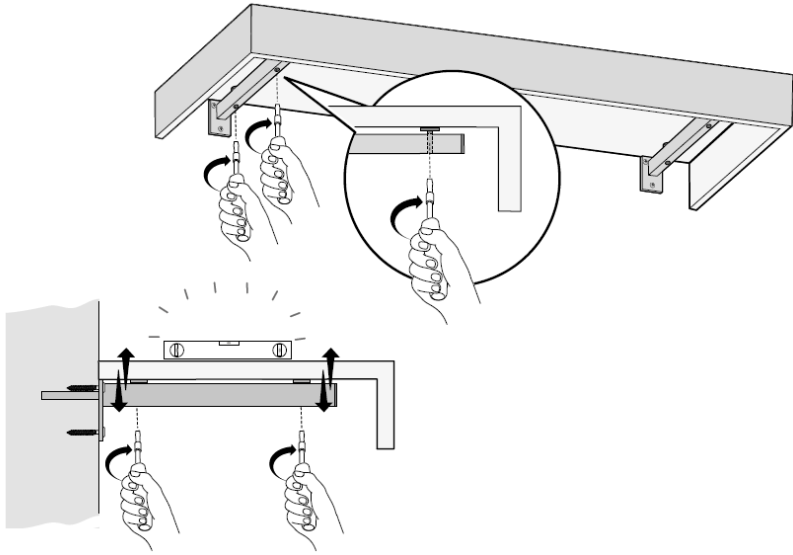
Step 11.



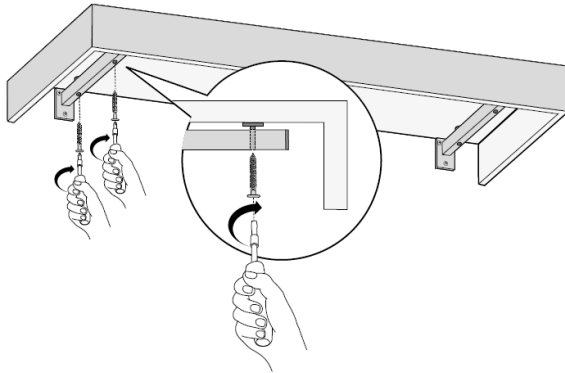
Step 12.



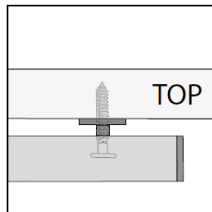
Step 13.



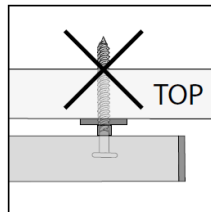
Step 14.



**OK**



**NO**





# BAGNODESIGN

EXPERTLY CRAFTED BATHROOMS

---

---

---

---

---

---

---

---

---

---

---

---

---

---

---

---

---

---

---

---

---

---

---

---

---

---

Oakwell Way, Birstall  
Leeds, England WF9 17LU

A member of  SANIPEXGROUP