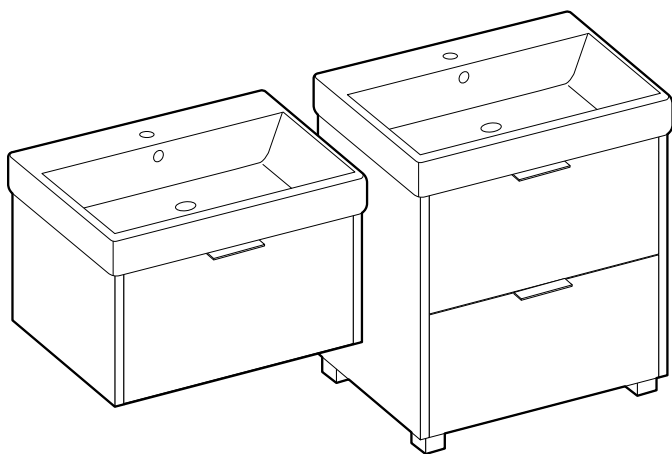


BAGNODESIGN

EXPERTLY CRAFTED BATHROOMS

General Installation Guide



FUNCTION

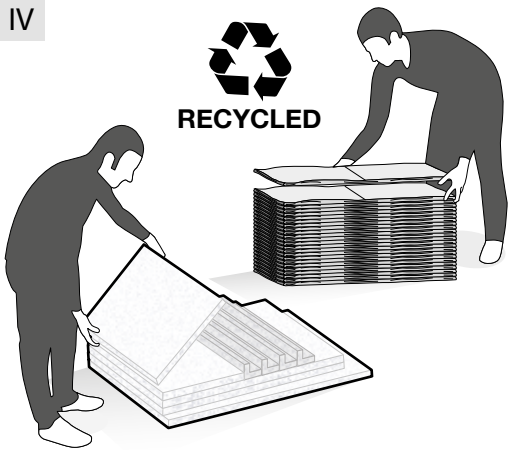
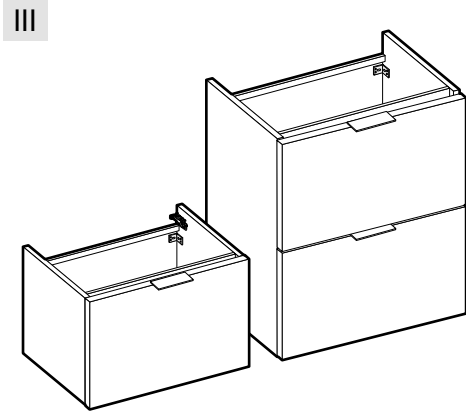
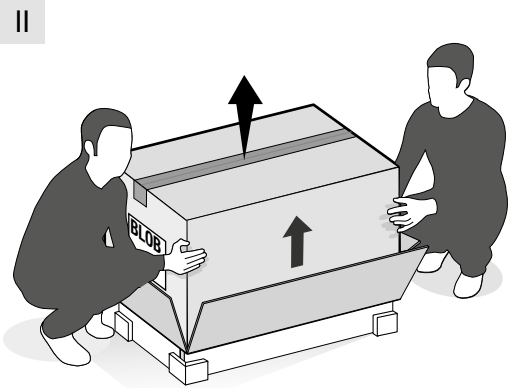
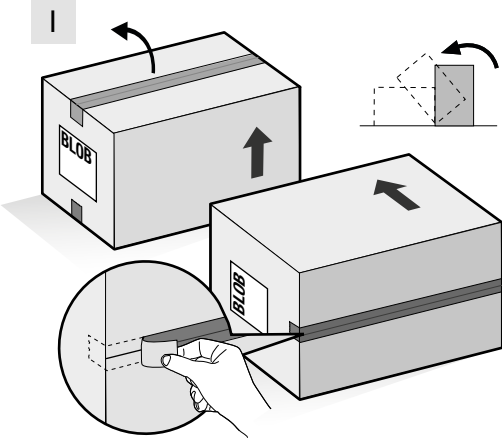
Wall mounted vanity basin unit

NOTE: Countertop wash basin not included, it is only used for illustrative purposes.

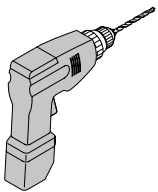
A member of  SANIPEXGROUP

Please leave these instructions with the customer

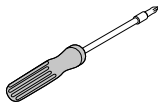
GETTING STARTED



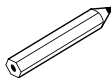
TOOLS



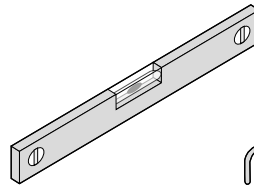
Drill



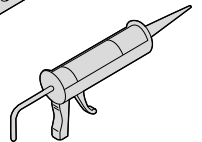
Screwdriver



Pencil



Level

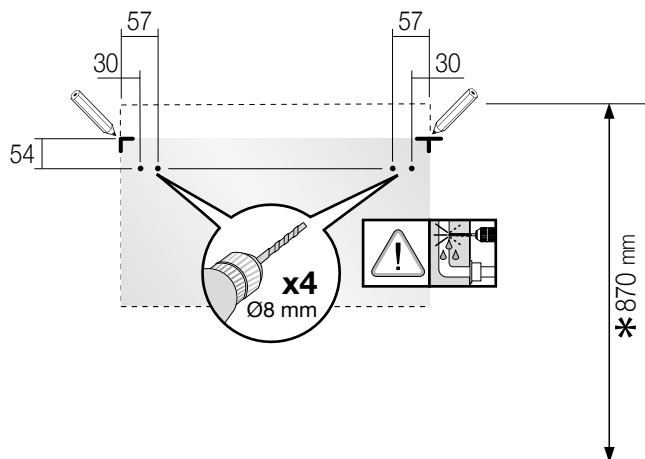


Neutral silicon (NOT Acetic)

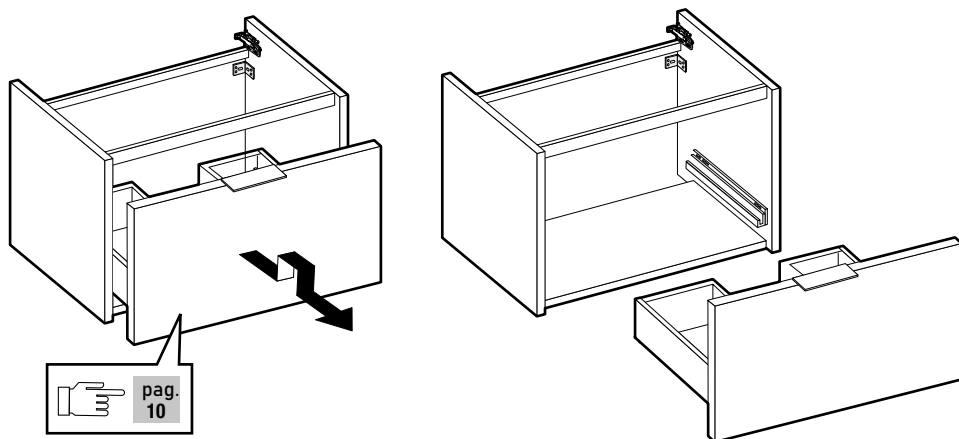
SUSPENDED BASE



Suggested quota for hanging unit

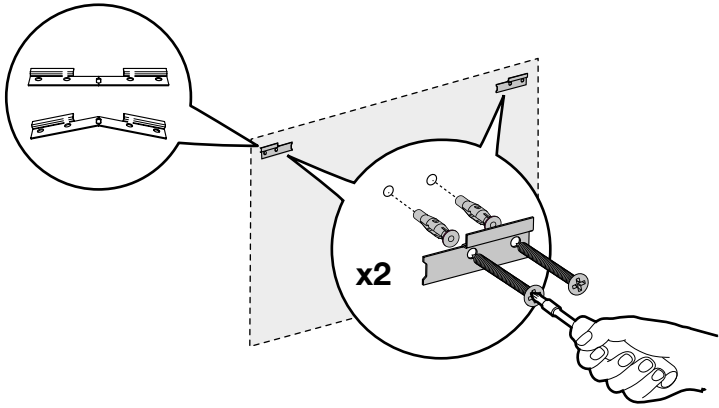


DRAWER REMOVING

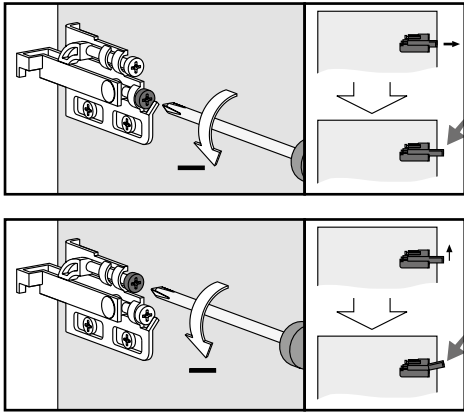


SUSPENDED BASE

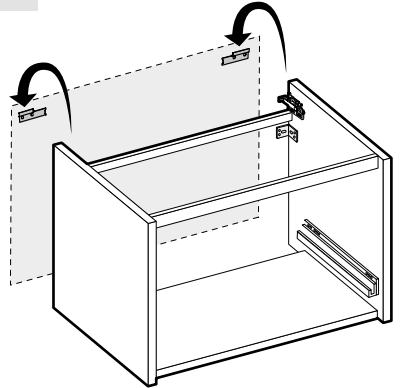
1



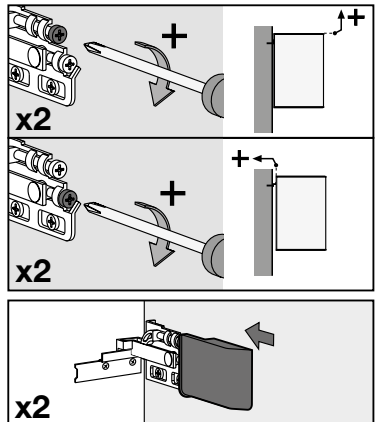
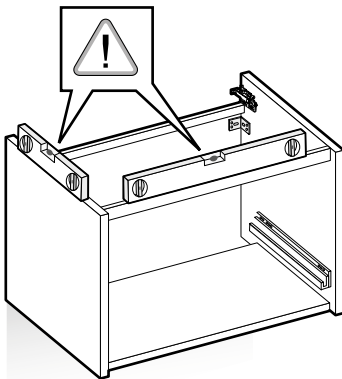
2



3

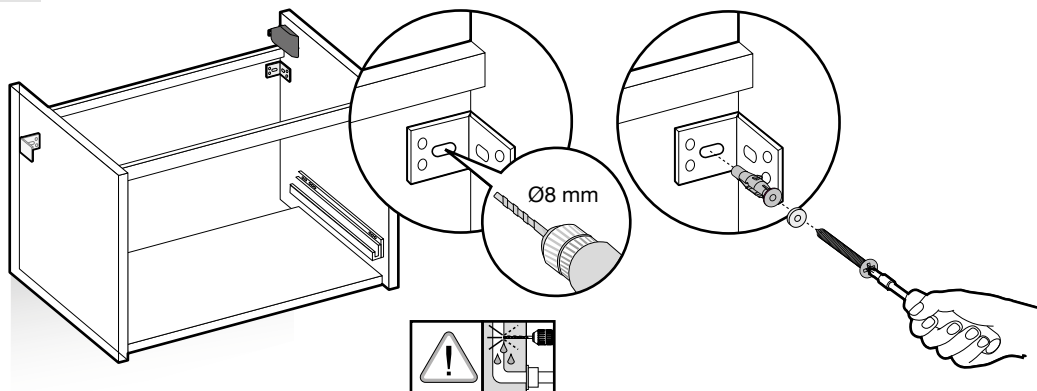


4 HANGER ADJUSTING

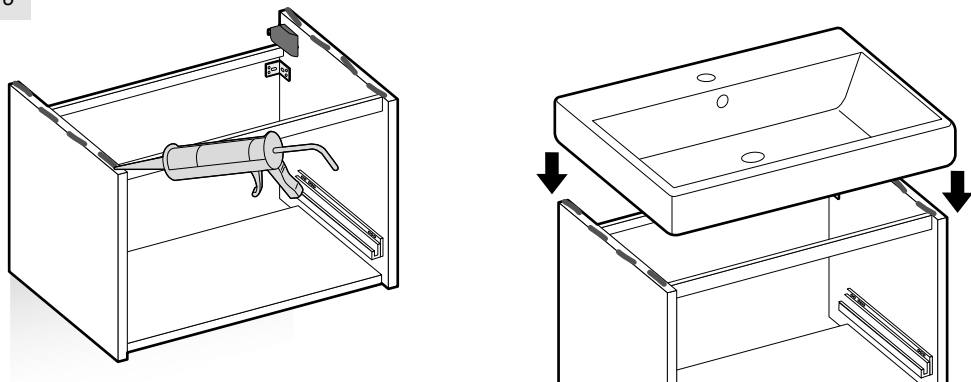


SUSPENDED BASE

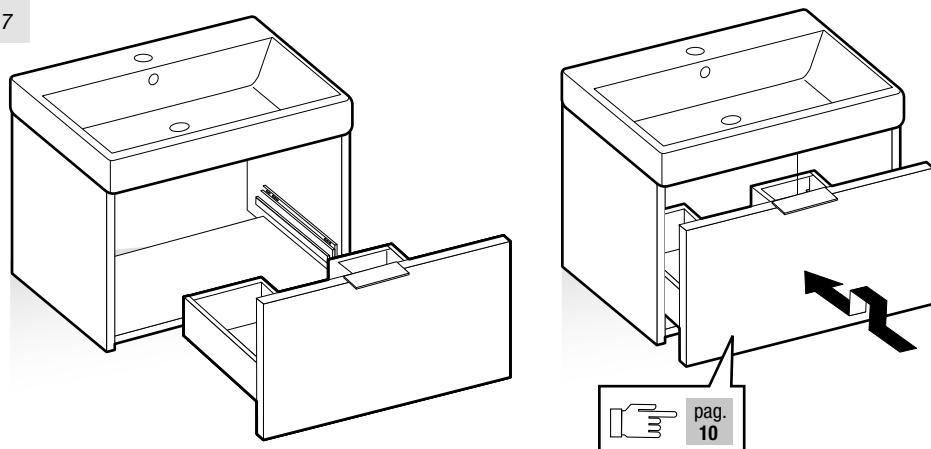
5



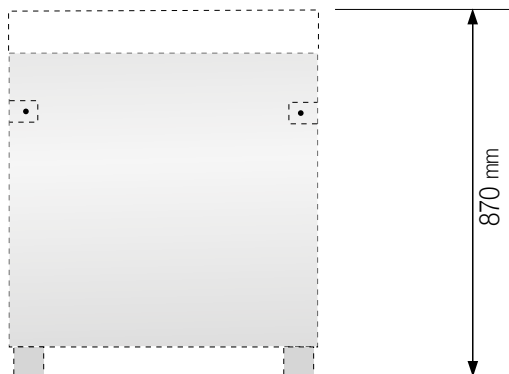
6



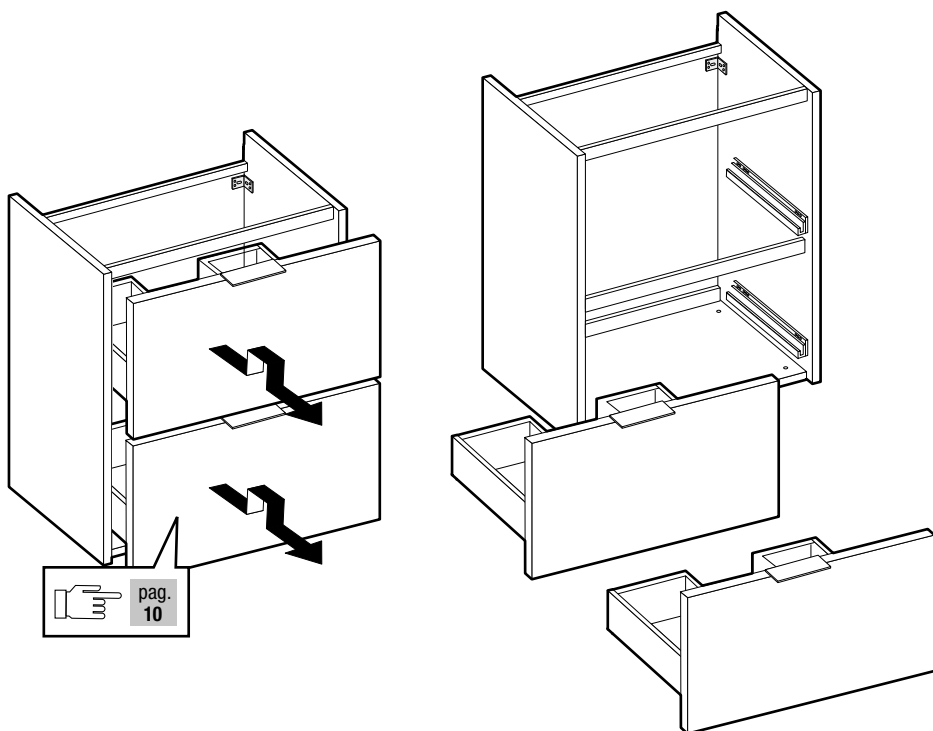
7



B



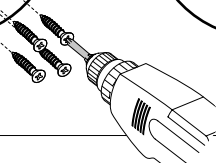
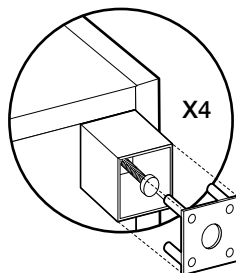
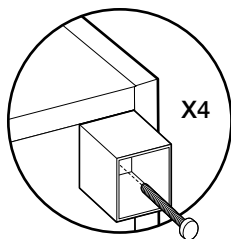
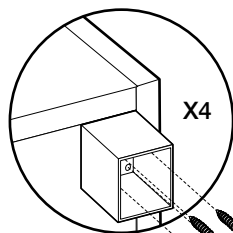
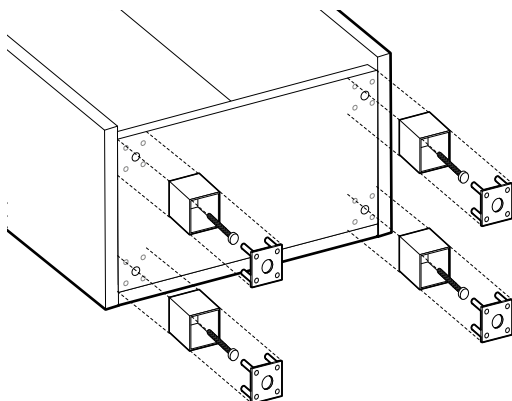
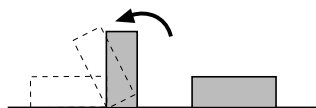
DRAWER REMOVING



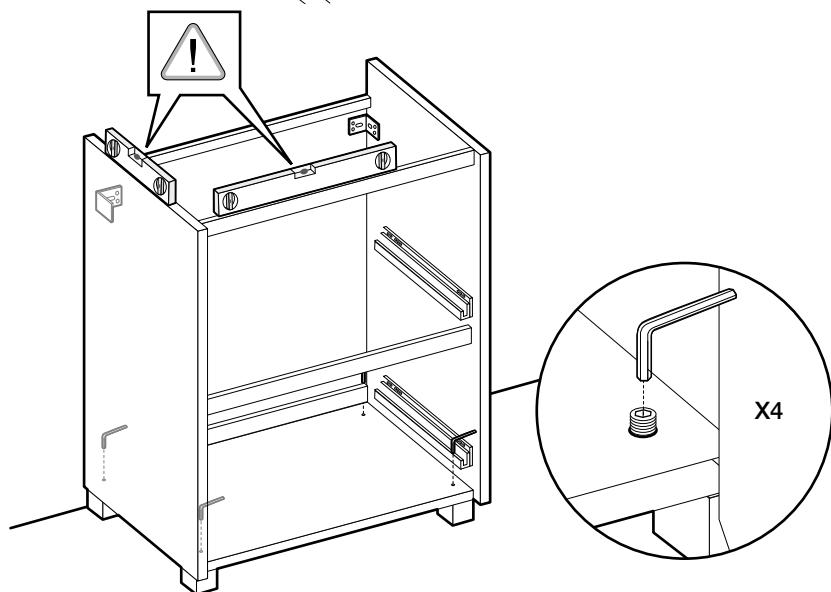
FLOOR STANDING BASES

1

INSTRUCTIONS FEET

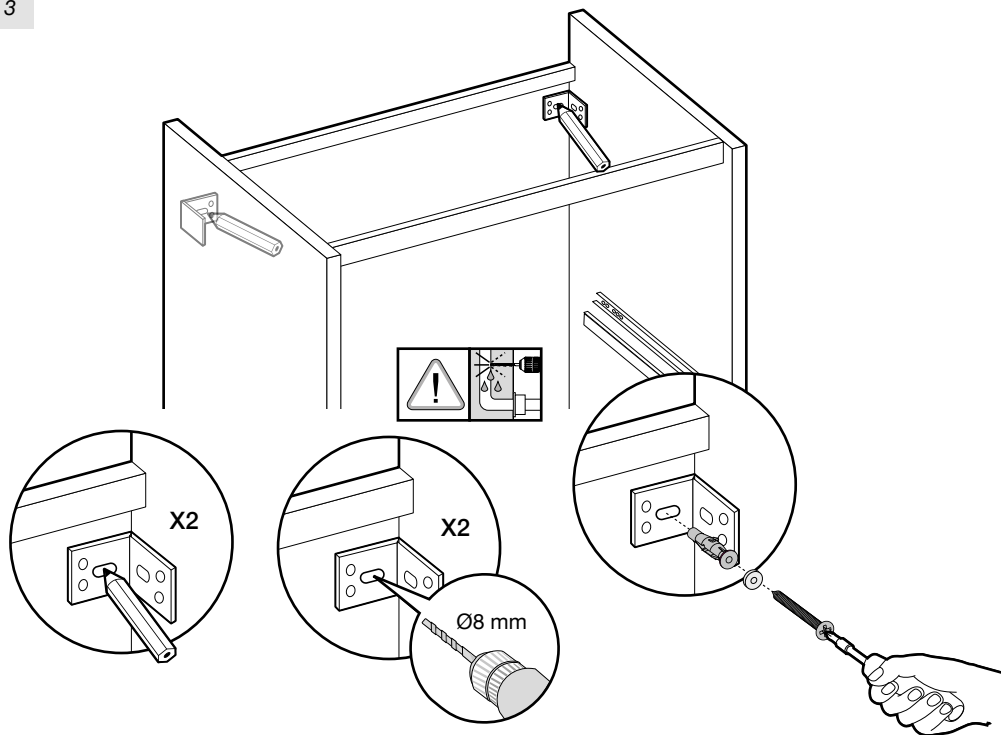


2

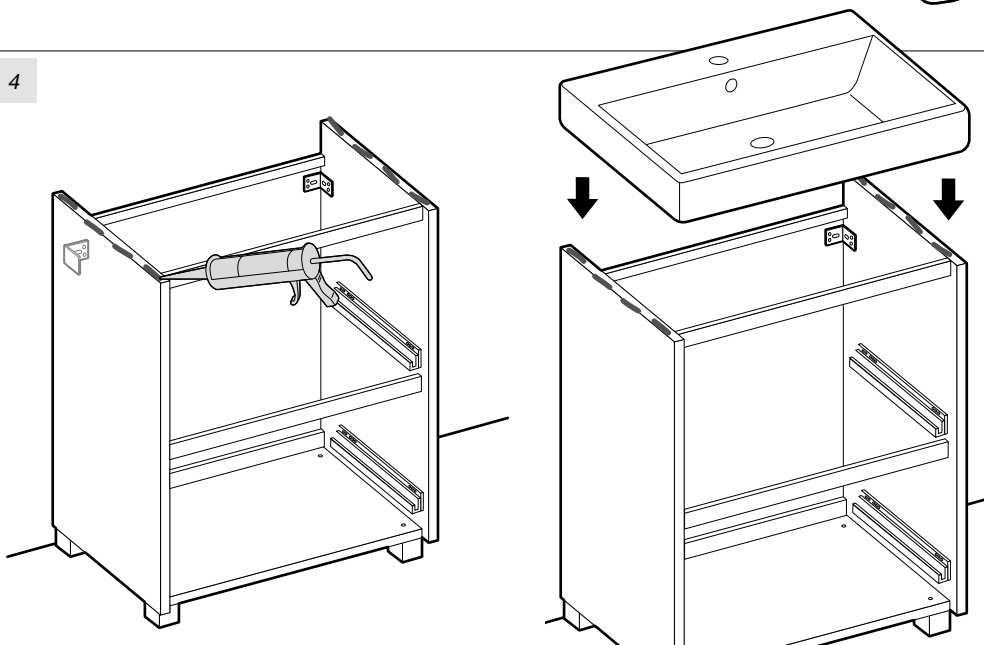


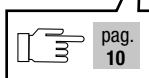
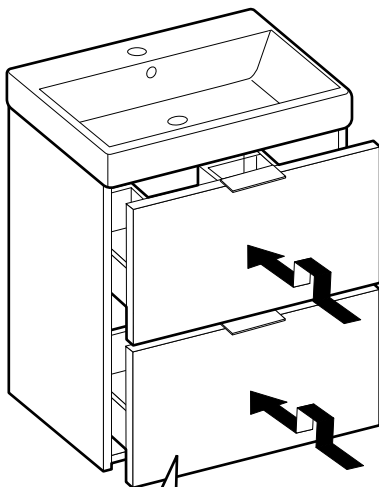
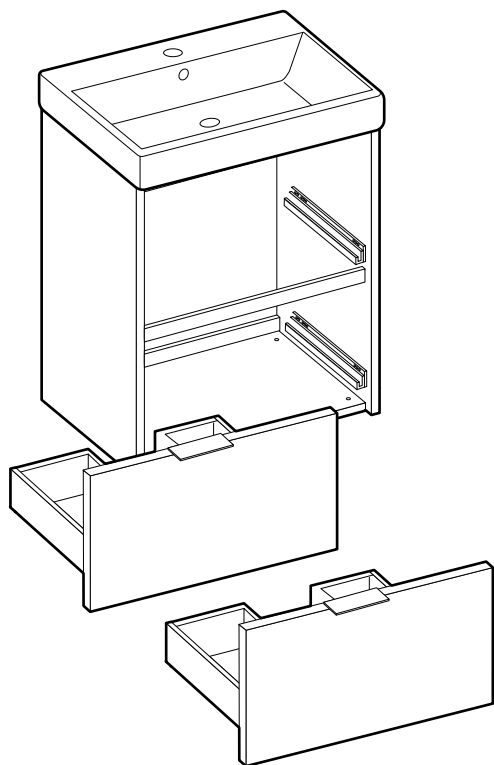
FLOOR STANDING BASES

3



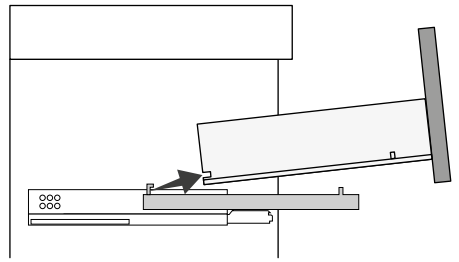
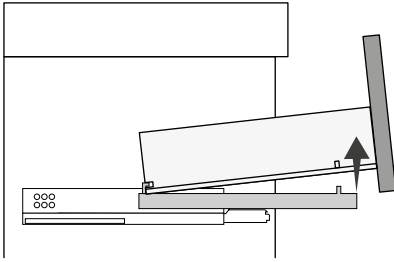
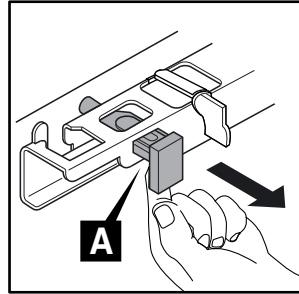
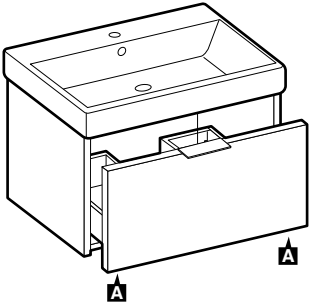
4



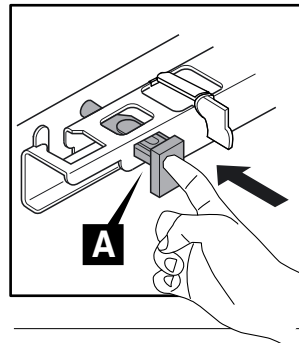
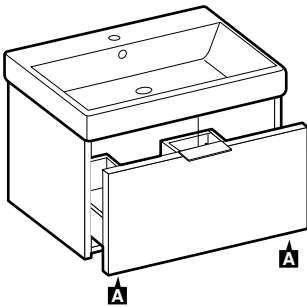
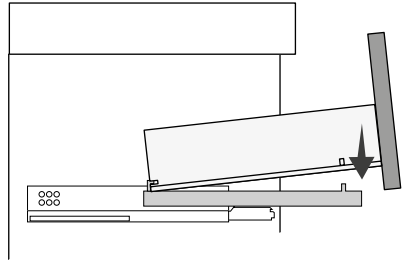
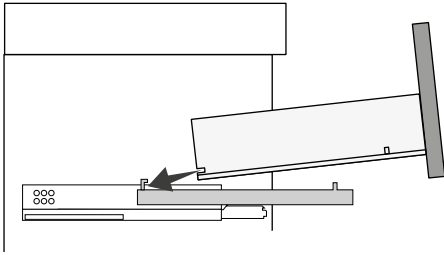




DRAWER REMOVAL

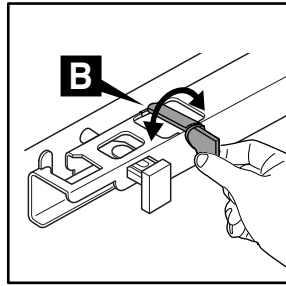
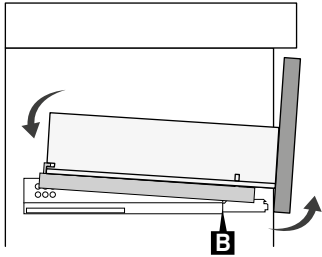


DRAWER ASSEMBLY

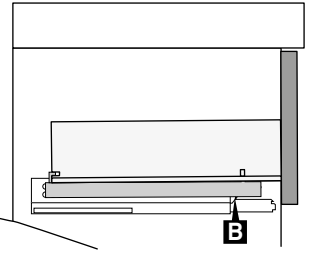


DRAWER ADJUSTMENTS

NO



OK



FRONT ADJUSTMENT DRAWER

