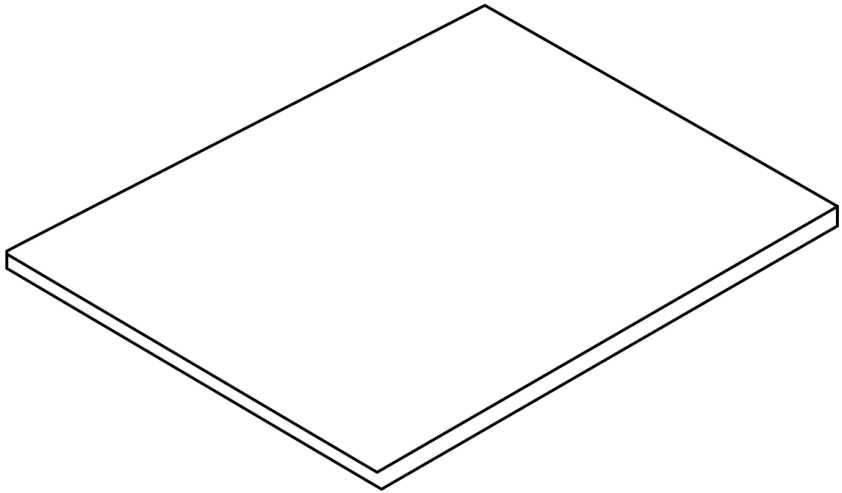


BAGNODESIGN

EXPERTLY CRAFTED BATHROOMS

Installation Guide



M-LINE COUNTERTOPS

A member of SANIPEXGROUP
www.sanipexgroup.com

IMPORTANT PLEASE READ

Remove all packaging and check the product for missing parts or damage before starting installation.

Any alterations made to this product and fittings may infringe water regulations and invalidate the guarantee.

The Installation must comply with all Local/National Water Supply Authority Regulations/Byelaws and Building and Plumbing Regulations.

We strongly recommend that your product be installed by a reputable qualified trade's person.

General Installation:

Please note this product can require 2 or more persons to lift and manoeuvre into position.

To the installer: Please read and follow this instruction carefully, as the guarantee is only valid if the product is installed as directed.

Don't rush, read the instructions first and run through them before you begin. Keep fittings together to avoid loss. Do not over tighten screws or bolts.

If the unit is covered with polyethylene protective film, do not remove until installation is complete to grant maximum protection. However, remove film where any two surfaces will be in permanent contact.

Verify that all dimensions on the plan are the same as the ones of the product.

Please leave this installation manual with the end user once the product has been installed.

Product Aftercare:

We recommend cleaning with a soft damp cloth and mild soap solution. Do not use cream cleaners or cleaners containing bleach.

Do not scrub or scour.

Do not use abrasive cleaning agents.

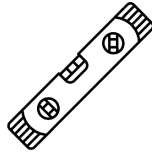
Do not use solvent based cleaners.

Do not allow pools of water to remain standing on the surfaces

TOOLS REQUIRED (NOT SUPPLIED)



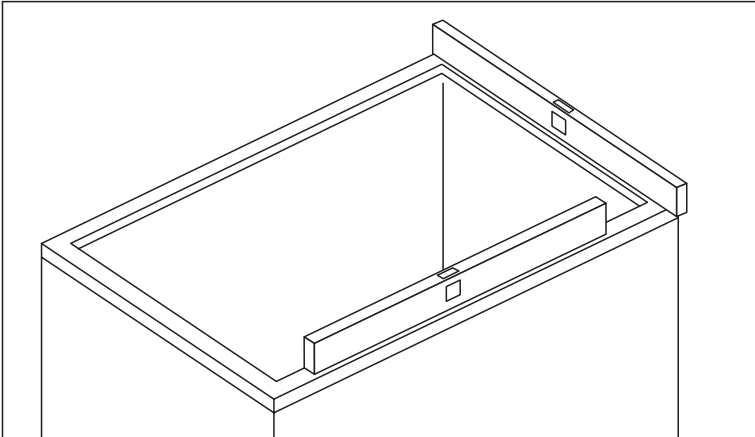
Sealant Gun



Spirit Level

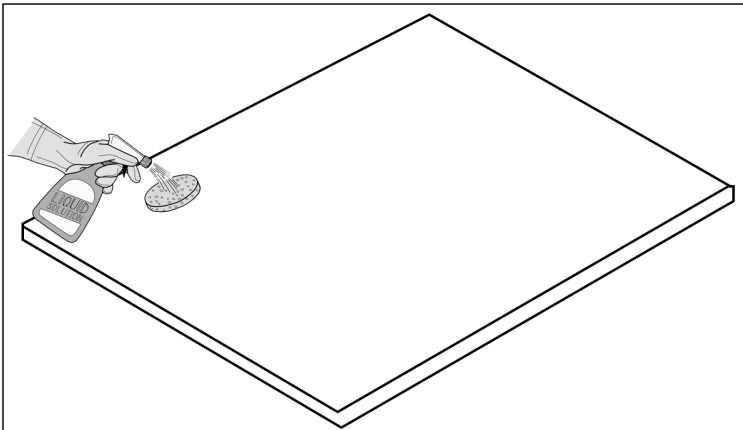
Countertop Installation

1. Install the cabinet per manufacturer's instructions.



Note: Make sure the vanity is level before installing Countertop.

2. Clean the countertop and the underside of vanity unit used with a mild soap and soft cloth. Remove all dust and allow the surface dry completely.



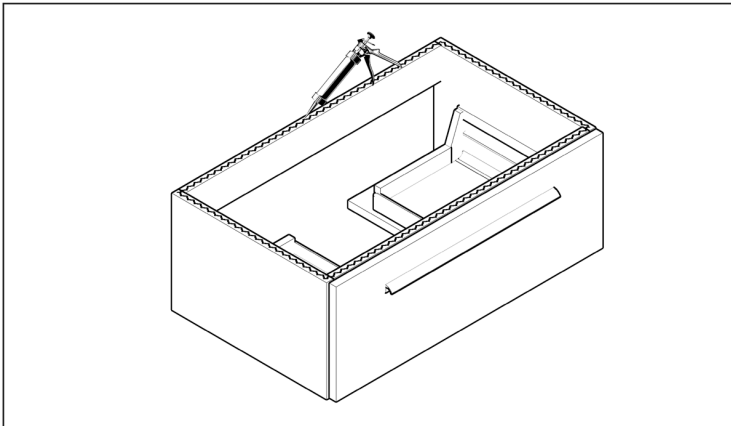
! WARNING



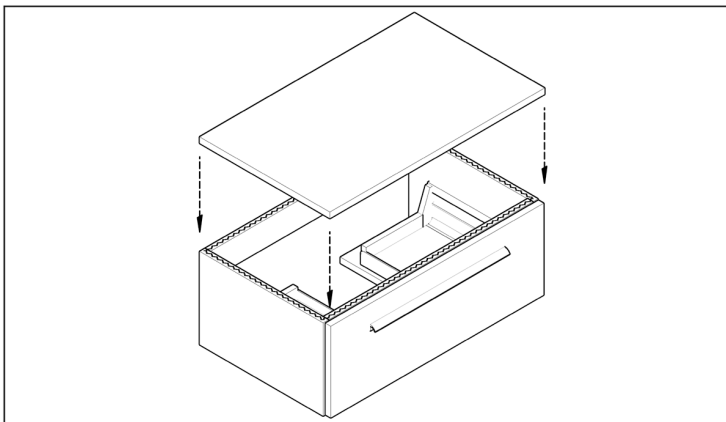
Solvents Hazard

Follow all manufacturers' safety instructions for silicone sealants and cleaning agents. Silicone vapors may irritate eyes and nose. Always follow the manufacturer's recommendations for the safe use of these products. Ventilate any work area before beginning to apply silicone sealants, cleaning agents, or solvents.

3. Apply a bead of adhesive or silicone onto each corner of vanity top.



4. Place the countertop carefully on the top of the vanity.



5. Installation completed.

