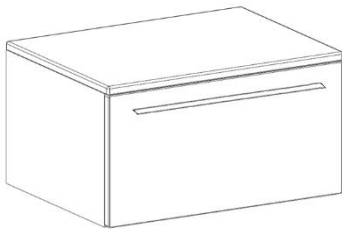


BAGNODESIGN

EXPERTLY CRAFTED BATHROOMS

General Installation Guide



M-LINE

wall mounted vanity basin unit 600/1, 800/1 &
1000/1

NOTE: Countertop not included, it is only used for illustrative purposes.

A member of  SANIPEXGROUP

Please leave these instructions with the customer

IMPORTANT PLEASE READ

Remove all packaging and check the product for missing parts or damage before starting installation.

Any alterations made to this product and fittings may infringe water regulations and invalidate the guarantee.

The Installation must comply with all Local/National Water Supply Authority Regulations/Byelaws and Building and Plumbing Regulations.

We strongly recommend that your product be installed by a reputable qualified trade's person.

General Installation:

Please note this product can require 2 or more persons to lift and manoeuvre into position.

To the installer: Please read and follow this instruction carefully, as the guarantee is only valid if the product is installed as directed.

Don't rush, read the instructions first and run through them before you begin. Keep fittings together to avoid loss. Do not over tighten screws or bolts.

If the unit is covered with polyethylene protective film, do not remove until installation is complete to grant maximum protection. However, remove film where any two surfaces will be in permanent contact.

Verify that all dimensions on the plan are the same as the ones of the product.

Please leave this installation manual with the end user once the product has been installed.

Product Aftercare:

We recommend cleaning with a soft damp cloth and mild soap solution.

Do not use cream cleaners or cleaners containing bleach.

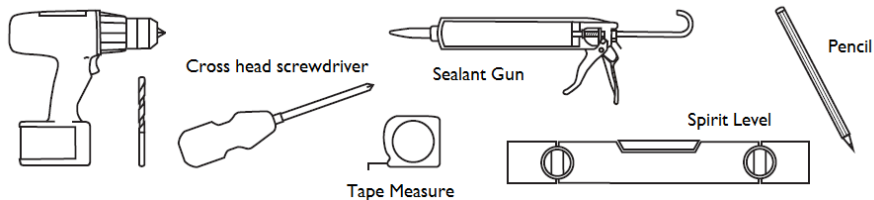
Do not scrub or scour.

Do not use abrasive cleaning agents.

Do not use solvent based cleaners.

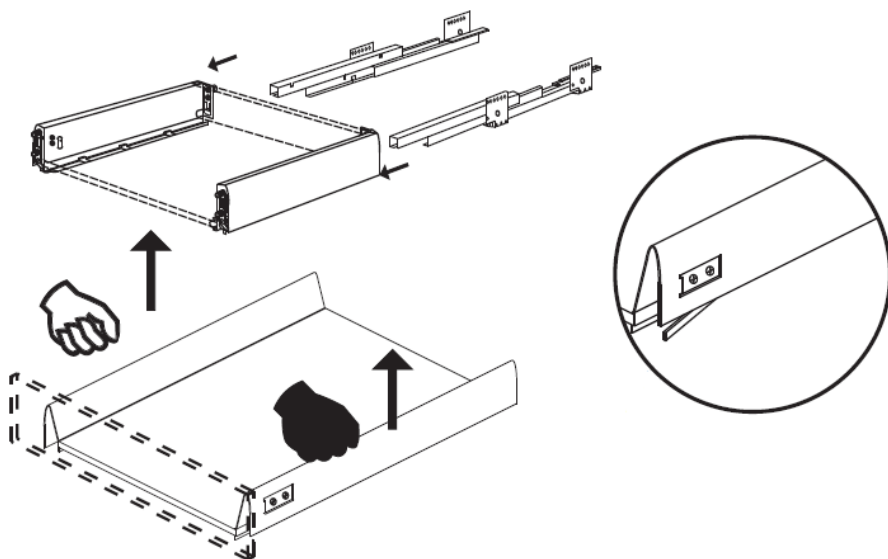
Do not allow pools of water to remain standing on the surfaces

TOOLS REQUIRED (Not supplied)

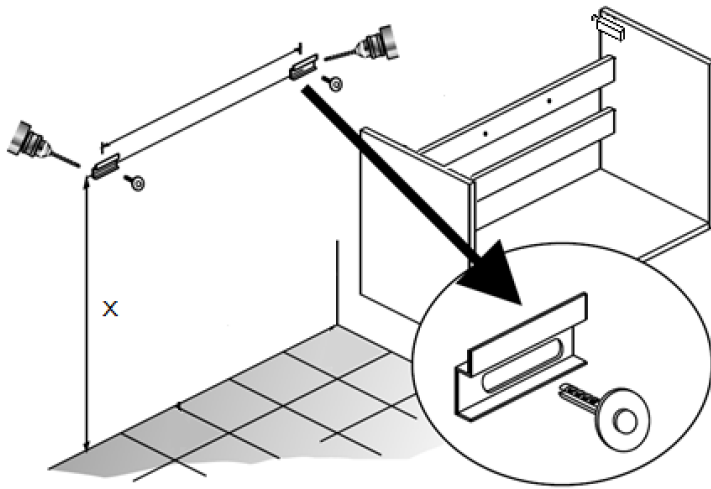


Drill and drill bits

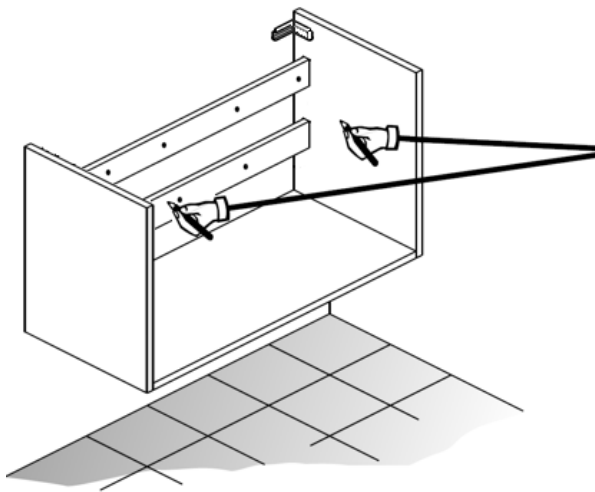
Required when securing the cabinet to a wall. Use an appropriate size bit to match the wall fixing chosen (wall screws and fixings not supplied).



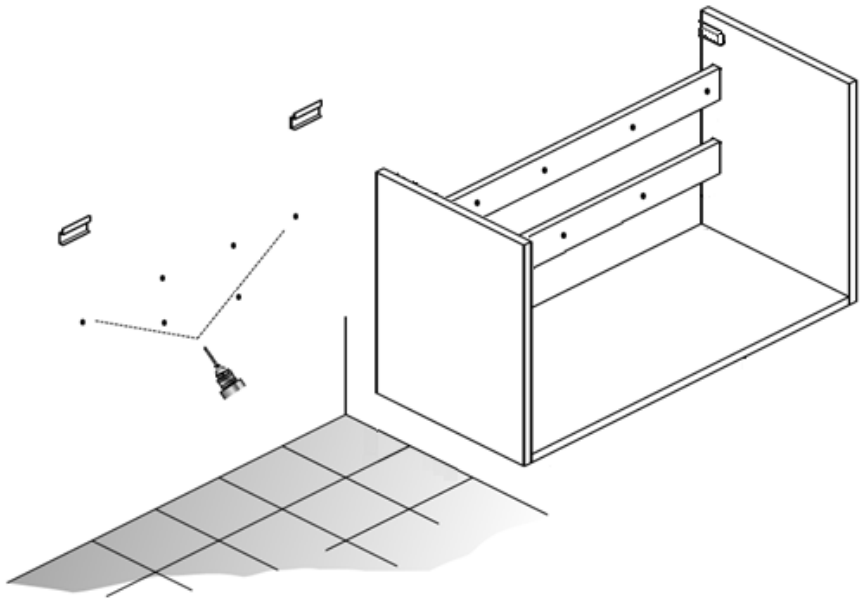
To make installation easier it is recommended that you remove the drawer from the cabinet. Pull the drawer out, with both hands at each side of the drawer reach under the base of the drawer sides at the front and feel for the release mechanisms. Push the plastic clips inwards and at the same time lift the drawer unit up clear of the runners.



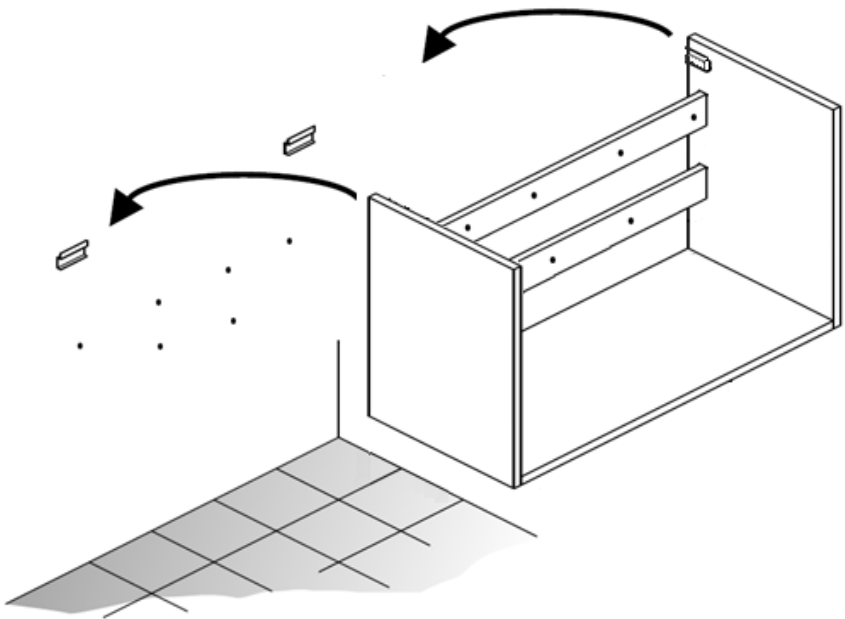
The vanity comes with many variations of countertops and basins, it recommended that the top of the basin be 850-900mm from floor level. Once you have decided on a suitable position for your vanity unit, measure down from the top of the wash basin to bracket level, subtract this dimension from finished height you have agreed upon, this will give you dimension X. then mark the internal distance onto the wall. Line the wall fixing plates up to the inside of the markings and mark out the drilling positions on the wall then attach wall fixing plates using suitable fixings (not supplied)



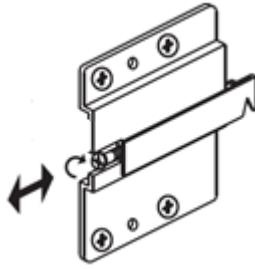
Gently lift the cabinet into position so that the cabinet hangers sit onto the wall brackets. make sure the unit is level and adjust if required. Mark the 6 holes on the rear support bars.



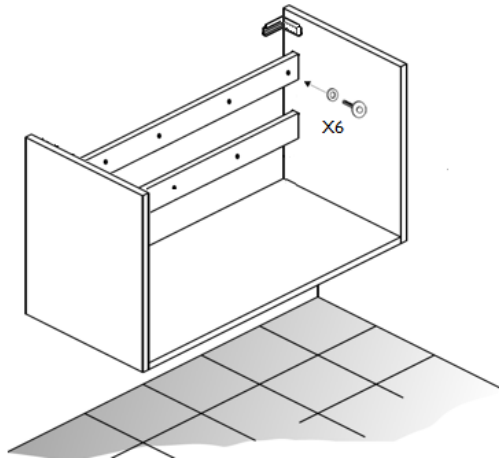
Carefully remove the cabinet, drill and plug the markings for the rear support bars.



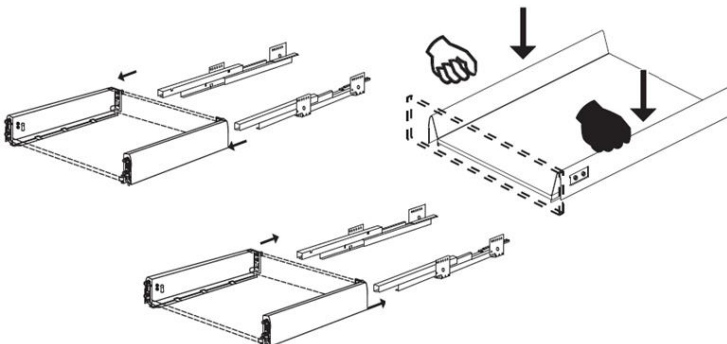
Gently re-lift the cabinet into position.



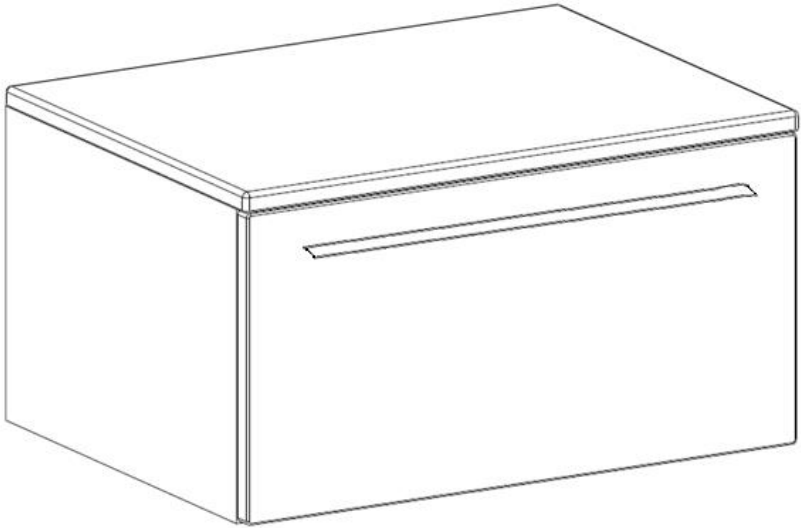
Using a spirit level check the cabinet is level and plumb. Use the screw to secure the unit to the wall once the unit is level.



When you are happy with the position of the cabinet, using suitable wall fixings (not supplied), fix the cabinet through the rear support bar.



Put the drawer back into the unit. Fully extend the drawer runners and lower the drawer onto the runner pushing it closed, the drawer will click into place.



Install the countertop (not supplied) and basin (not supplied) as per the basin installation guide.

INSTALLATION COMPLETE!!!

BAGNODESIGN

EXPERTLY CRAFTED BATHROOMS

Oakwell Way, Birstall
Leeds, England WF9 17LU

A member of  SANIPEXGROUP