

BAGNODESIGN

EXPERTLY CRAFTED BATHROOMS

Installation Guide



BDF-NAR-C100-MB

NARA COUNTERTOP 1004X515X8 MM

A member of **SANIPEXGROUP**
www.sanipexgroup.com

IMPORTANT PLEASE READ

All products manufactured and supplied by BAGNODESIGN are fit for purpose as long as they are Installed, used correctly, cleaned and receive regular maintenance in accordance with these instructions...

Remove all packaging and check the product for damage or missing parts before commencing with the installation.

Any alterations made to this product and its components may infringe product certification, infringe water regulations and invalidate the guarantee. The Installation must comply with all local/national water supply authority regulations/bylaws and building and plumbing regulations, therefore we strongly recommend that your product be installed by a reputable qualified trade's person.

PRODUCT LIFECYCLE

"The product LiveCyclele is the collective stages that a product goes through from its conception and design through to its ultimate disposal."

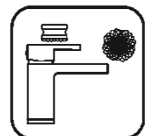
DISPOSAL GUIDANCE

The best way to ensure your Product has a long life is to follow the Care and Maintenance guides set by the Manufacture after purchase. This document can be found at www.sanipexgroup.com. The life cycle of the product is not in correlation to the product Guarantee; the standards the products are manufactured or certified to (e.g. CE & WRAS) can exceed past the Guarantee duration. After the life cycle of the product is deemed complete by the end-user please follow the below to dispose of the items correctly...

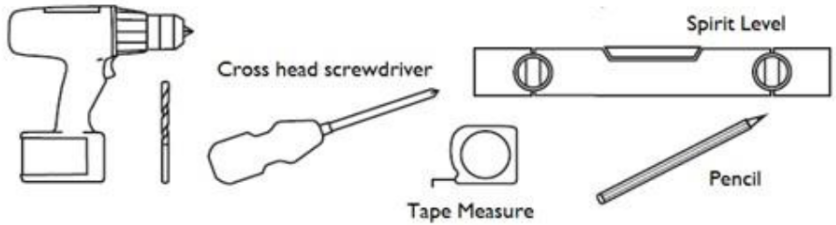
CLEANING CARE GUIDE

Only use a mild soap and water for cleaning.
Rinse with water to remove the mild soap solution.
We recommend the product is dried using a soft cloth after every use.

Never use any abrasive or strong cleaning products containing, bleaches, acids (hydrochloric, formic, phosphorus, chlorine or acetic), strong detergents, limescale remover, alcohol or dyes etc.
Never use abrasive cleaning pads, wire wool or microfibre cloths.
Never use cleaning equipment that may have been pre-used and contaminated with the above substances.
Never apply the cleaning product directly onto the finished surface.

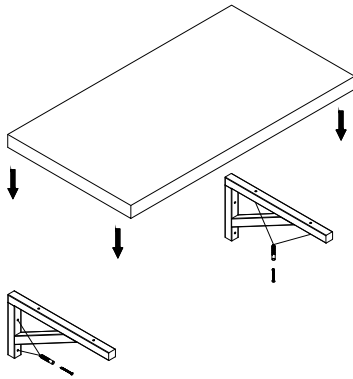


Tools Required (Not Supplied)



Drills & Drill Bits

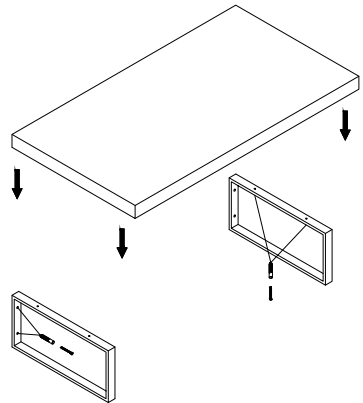
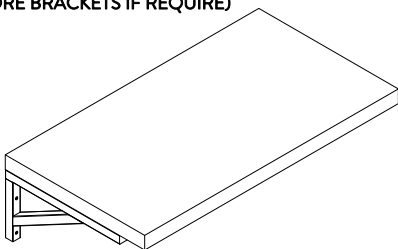
Required when securing the cabinet to a wall. Use an appropriate size bit to match the wall fixing chosen (wall screws and fixings not supplied).



Once you have decided on a suitable position for your countertop, mark out the external distance onto the wall. Then measure the center of the distance and mark, Half the dimension and mark this distance either side of the center line. Position the brackets and mark the fixing holes.

Attach wall brackets using suitable fixings (not supplied), making sure the wall brackets are level. If cutting or drilling of holes through the countertop is required, please apply PVA (or similar) sealant to the bare wood.

Place the countertop onto the brackets and secure from the underside. Install the Basin & Mixer (not supplied) to the countertop and the waste and trap (not supplied) to the wash basin. **(USE THREE OR MORE BRACKETS IF REQUIRE)**



Once you have decided on a suitable position for your countertop, mark out the external distance onto the wall. Line the wall brackets up to the inside of the markings and mark out the drilling positions on the wall. (If desired place the brackets 25mm in from the end line for a countertop overhang) Attach wall brackets using suitable fixings (not supplied), making sure the wall brackets are level and the distance between the outer edges of the wall brackets is the same as that measured in the previous stage. With both wall brackets secure, place the countertop into position, then using suitable fixings (not supplied) attach the wall bracket to the shelf. **(USE THREE OR MORE BRACKETS IF REQUIRE)**

