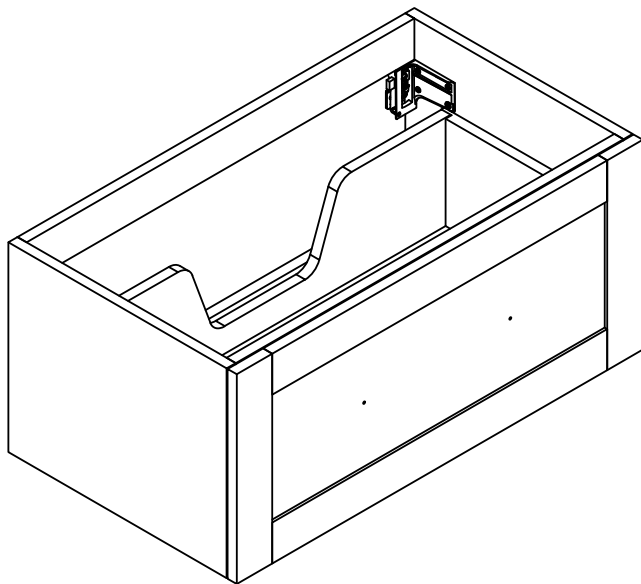


# BAGNODESIGN

EXPERTLY CRAFTED BATHROOMS

---

## Installation Guide



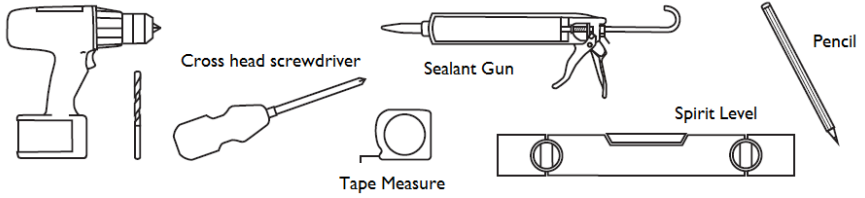
### REVOLUTION VANITY

REVOLUTION WALL MOUNTED VANITY BASIN UNIT

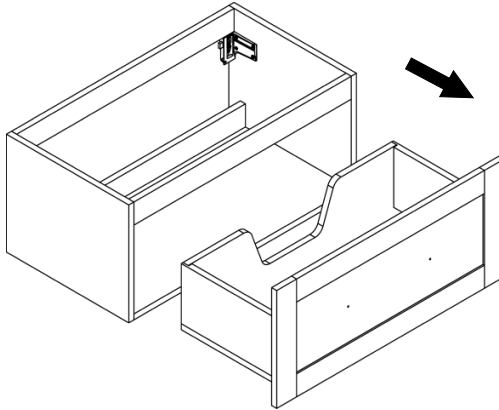
A member of SANIPEXGROUP  
[www.sanipexgroup.com](http://www.sanipexgroup.com)



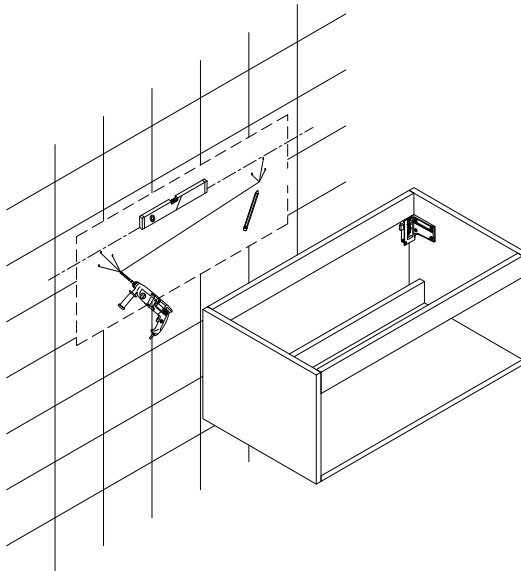
## Tools Required (Not supplied)



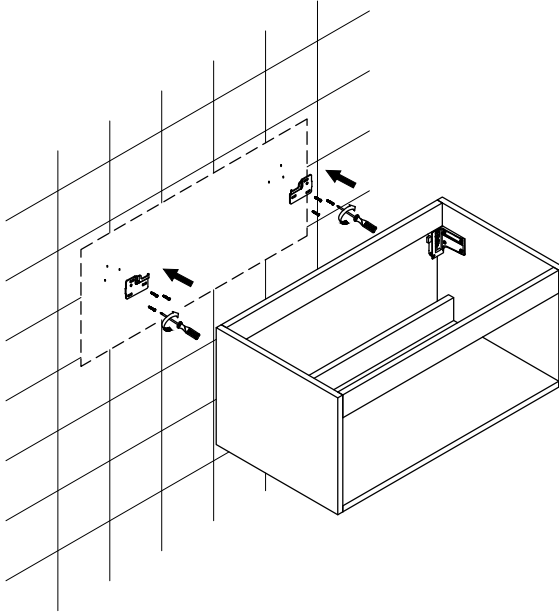
- 1 Carefully remove the cabinet from vanity.



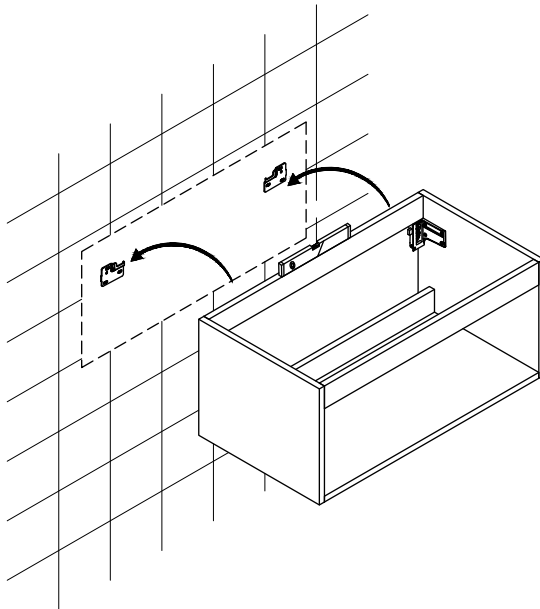
- 2 Mark hole location on the wall for the brackets, then drill holes.



- 3 Fix the wall bracket with screws by using screw driver.

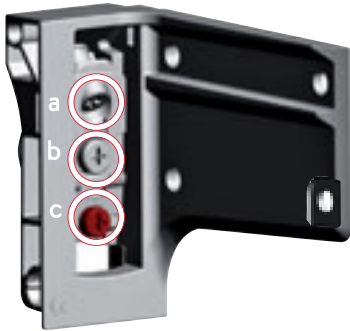


- 4 Gently lift the cabinets into the position of that the cabinets hangers sit onto the wall bracket, make sure with spirit level the unit is in level and adjust if required.

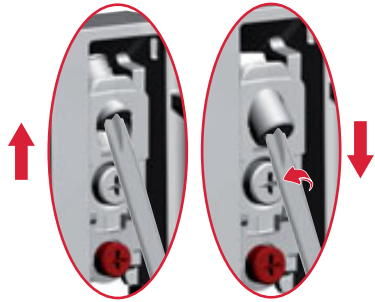


5 Adjustments:

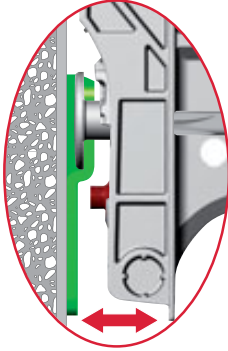
- a) Vertical adjustment.
- b) In-Depth adjustment.
- c) Anti-turnover locking, stop screwing the red bolt when it touches the wall plate.



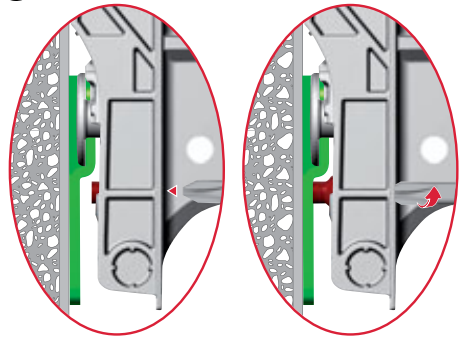
a)



b)



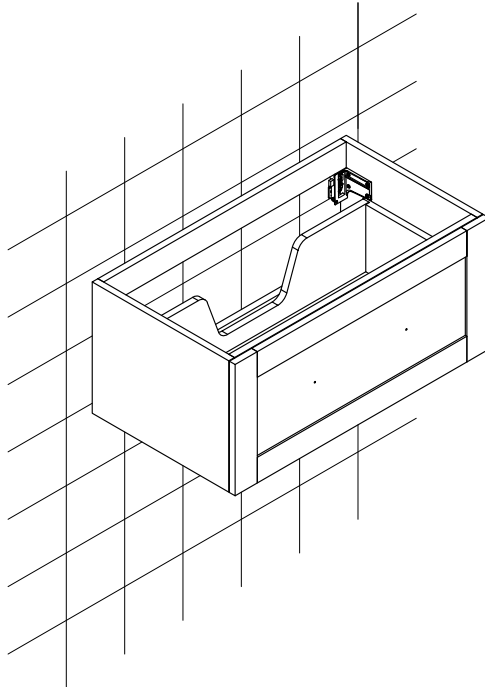
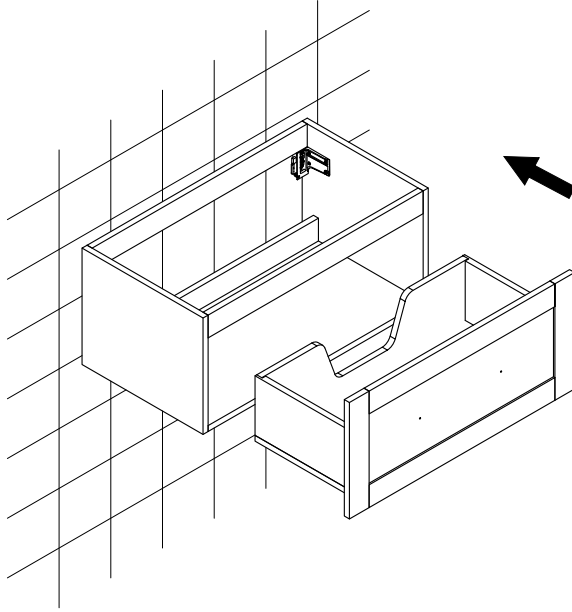
c)



**NOTE:**

It is the responsibility of the customer to ensure that the wall is of a suitable quality to hold the unit fixing in place & to use the proper hardware fittings according to the construction of the wall.

7 Gently put the drawer back into vanity unit .



**INSTALLATION COMPLETE**



