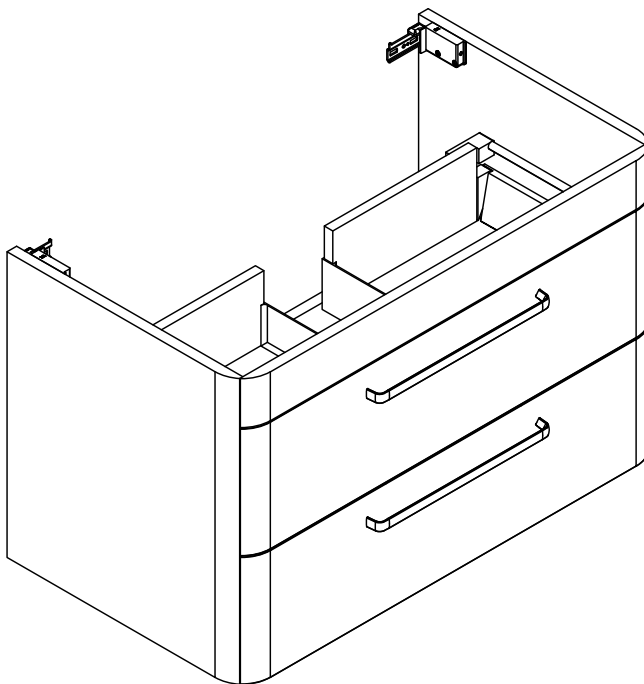


# BAGNODESIGN

EXPERTLY CRAFTED BATHROOMS

---

## Installation Guide



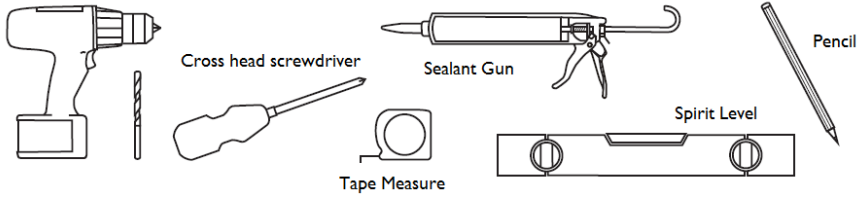
### **BDF-TEA-VAN-STGE**

TEATRO WALL MOUNTED VANITY & STORAGE UNIT

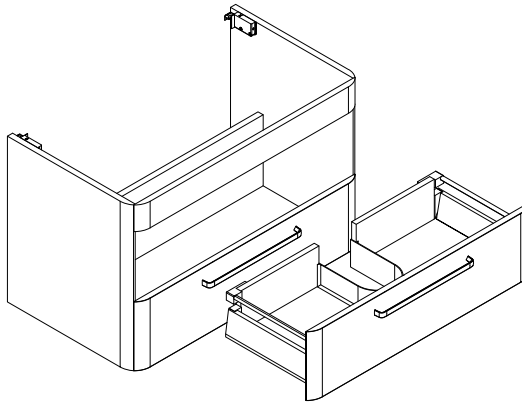
A member of **SANIPEXGROUP**  
[www.sanipexgroup.com](http://www.sanipexgroup.com)



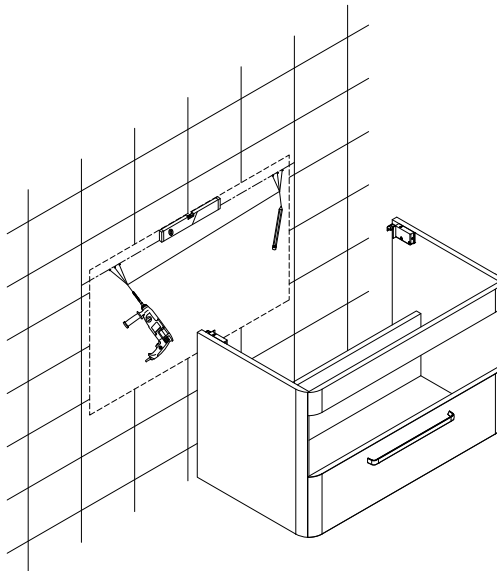
## Tools Required (Not supplied)



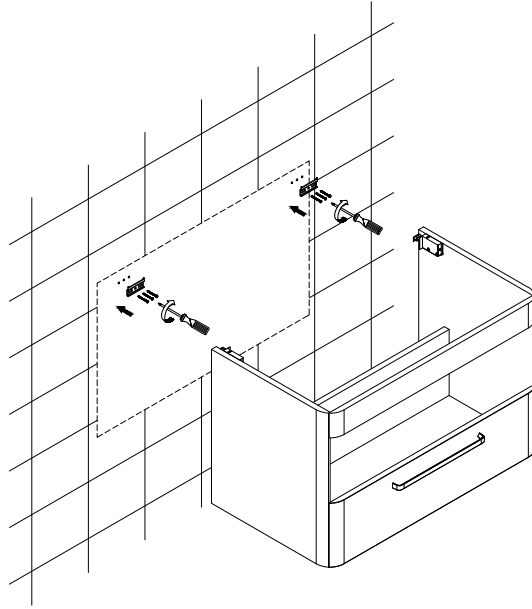
- 1 Carefully remove the drawer from vanity.



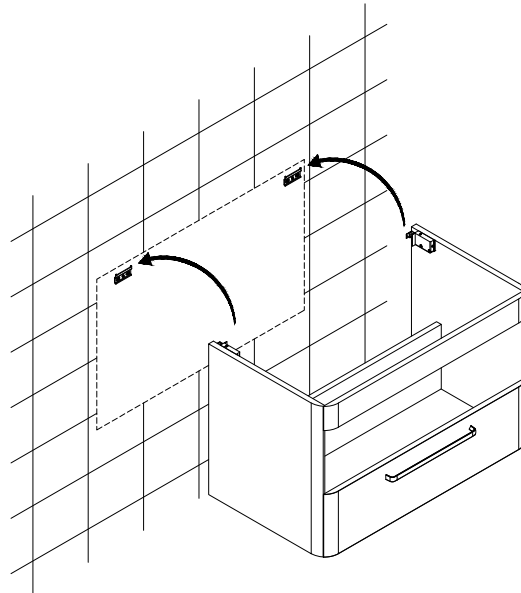
- 2 Mark hole location on the wall for the brackets & drill holes.



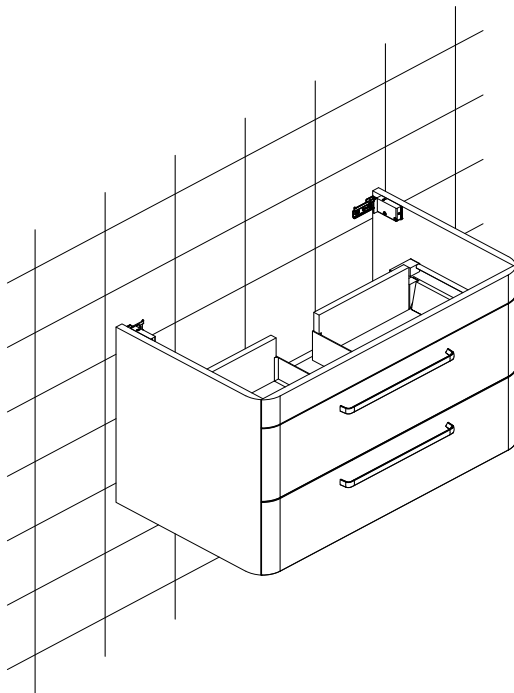
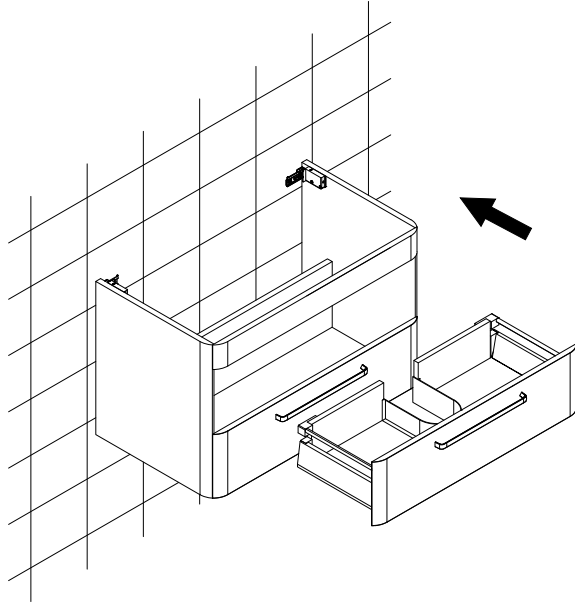
- 3 Fix the wall bracket with screws by using screw driver.



- 4 Gently lift the cabinets into the position of that the cabinets hangers sit onto the wall bracket, make sure with spirit level the unit is in level and adjust if required.



7 Gently put the drawer back into vanity unit .



**INSTALLATION COMPLETE**





