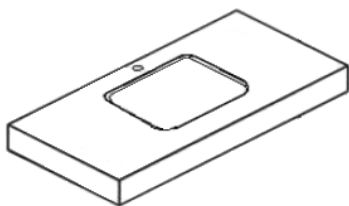


BAGNODESIGN

EXPERTLY CRAFTED BATHROOMS

General Installation Guide



UMBRIA

wall mounted countertop with under-counter wash
basin 700,1200,1560,1800mm

A member of  SANIPEXGROUP

Please leave these instructions with the customer

IMPORTANT PLEASE READ

Remove all packaging and check the product for missing parts or damage before starting installation.

Any alterations made to this product and fittings may infringe water regulations and invalidate the guarantee.

The Installation must comply with all Local/National Water Supply Authority Regulations/Byelaws and Building and Plumbing Regulations.

We strongly recommend that your product be installed by a reputable qualified trade's person.

General Installation:

Please note this product can require 2 or more persons to lift and manoeuvre into position.

To the installer: Please read and follow this instruction carefully, as the guarantee is only valid if the product is installed as directed.

Don't rush, read the instructions first and run through them before you begin. Keep fittings together to avoid loss. Do not over tighten screws or bolts.

If the unit is covered with polyethylene protective film, do not remove until installation is complete to grant maximum protection. However, remove film where any two surfaces will be in permanent contact.

Verify that all dimensions on the plan are the same as the ones of the product.

Please leave this installation manual with the end user once the product has been installed.

Product Aftercare:

We recommend cleaning with a soft damp cloth and mild soap solution.

Do not use cream cleaners or cleaners containing bleach.

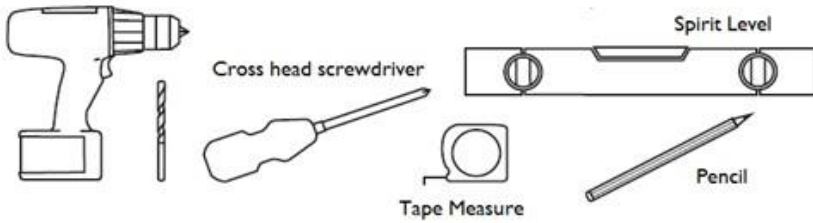
Do not scrub or scour.

Do not use abrasive cleaning agents.

Do not use solvent based cleaners.

Do not allow pools of water to remain standing on the surfaces

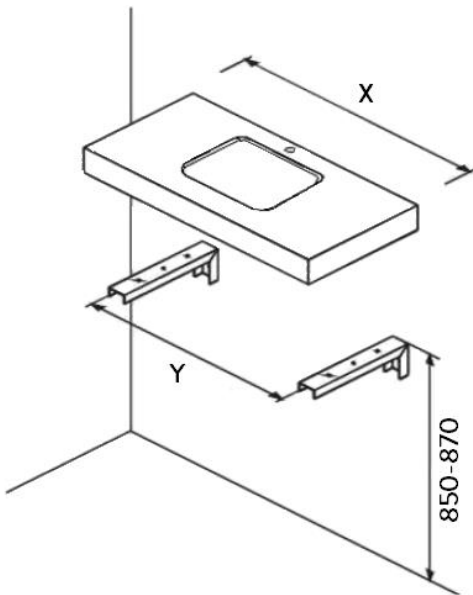
Tools Required (Not supplied)



Drill and drill bits

Required when securing the brackets to a wall. Use an appropriate size bit to match the wall fixing chosen (wall screws and fixings not be supplied).

X = 700 Width – Y = 580mm
X = 1200 Width – Y = 960mm
X = 1560 Width – Y = 1320mm
X = 1800 Width – Y = 1560mm



Once you have decided on a suitable position for your countertop, mark out the external distance onto the wall (X). then measure the center of the distance and mark, Half the dimension Y and mark this distance either side of the center line. Position the brackets and mark the fixing holes.

Attach wall brackets using suitable fixings (not supplied), making sure the wall brackets are level.

If cutting or drilling of holes through the countertop is required, please apply PVA (or similar) sealant to the bare wood.

Place the countertop onto the brackets and secure from the underside. Install the mixer (not supplied) to the countertop and the waste and trap (not supplied) to the wash basin.

INSTALLATION COMPLETE!!!

BAGNODESIGN

EXPERTLY CRAFTED BATHROOMS

Oakwell Way, Birstall
Leeds, England WF9 17LU

A member of  SANIPEXGROUP