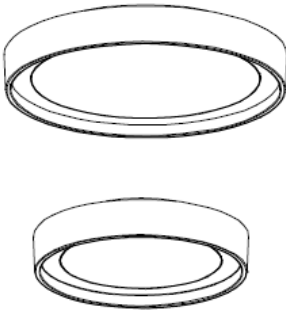


# BAGNODESIGN

EXPERTLY CRAFTED BATHROOMS

## General Installation Guide



## Spa Modular LED

**MODELS COVERED:**  
RGB LED SPOT LIGHT  
WHITE LED SPOT LIGHT

Please leave these instructions with the customer

## IMPORTANT PLEASE READ

All products manufactured and supplied by BAGNODESIGN are fit for purpose as long as they are Installed, used correctly, cleaned and receive regular maintenance in accordance with these instructions...

Remove all packaging and check the product for damage or missing parts before commencing with the installation.

Any alterations made to this product and its components may infringe product certification, infringe water regulations and invalidate the guarantee.

The Installation must comply with all local/national electrical authority regulations/byelaws and building and electrical regulations, therefore we strongly recommend that your product be installed by a reputable qualified trade's person.

## PRODUCT LIFECYCLE

*"The product lifecycle is the collective stages that a product goes through from its conception and design through to its ultimate disposal."*

## DISPOSAL GUIDANCE

The best way to ensure your Product has a long life is to follow the Care and Maintenance guides set by the Manufacture after purchase. This document can be found at [www.bagnodesignlondon.com](http://www.bagnodesignlondon.com)

The lifecycle of the product is not in correlation to the product Guarantee; the standards the products are manufactured or certified to (e.g. CE & WRAS) can exceed past the Guarantee duration.

After the lifecycle of the product is deemed complete by the end-user please follow the below to dispose of the items correctly...

### **Electricals:**

It's easy to check if an electrical product, is recyclable. Simply ask the following questions and if the answer is yes (to any of these) - it is recyclable:

*Does it have a plug?*

*Does it use batteries?*

*Does it need charging?*

*Does it have a picture of a crossed out wheelie bin on it?*

If the Product does not appear on the above list, contact your Local Authority for safe Disposal of the product.

## GENERAL INSTALLATION:

To the installer, please read and follow these instructions carefully, as the guarantee is only valid if the product is installed as directed.

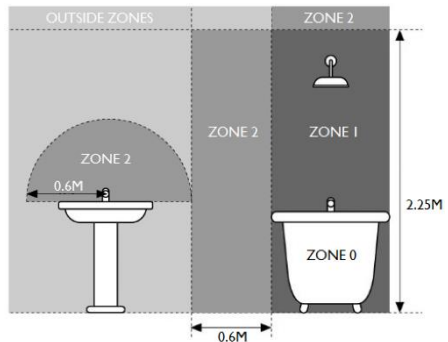
Don't rush, read the instructions first and run through them before you begin, keep the fittings together to avoid loss, do not overtighten screws or bolts.

If the product is covered with polythene protective film, do not remove until the installation is complete to grant maximum protection. However, remove film where any two surfaces will be in permanent contact. If tools are required to be used on a 'finished' surface, please place a cloth or similar over the area to protect the item from unnecessary scratching.

## ELECTRICAL CONNECTIONS:

All electrical connections and alterations should be carried out by a qualified electrician and be in accordance with Part P regulations. BAGNODESIGN SPA LED spot lights are IP55 rated and are suitable for installation in Zone 1 and above. (power transformer to be installed in outside zones only). The diagram below illustrates this zonal concept and must be followed to ensure safe installation of electrical bathroom products.

The diagrams and information below are a guide to Bathroom Zones as referred to in IP ratings it is important to install an electrical product in the correct bathroom zone i.e. the zone referred to in the IP rating of the product. This is not an installation guide, and reference should be made to the latest edition of the IEE wirings Regulations or a qualified electrician.



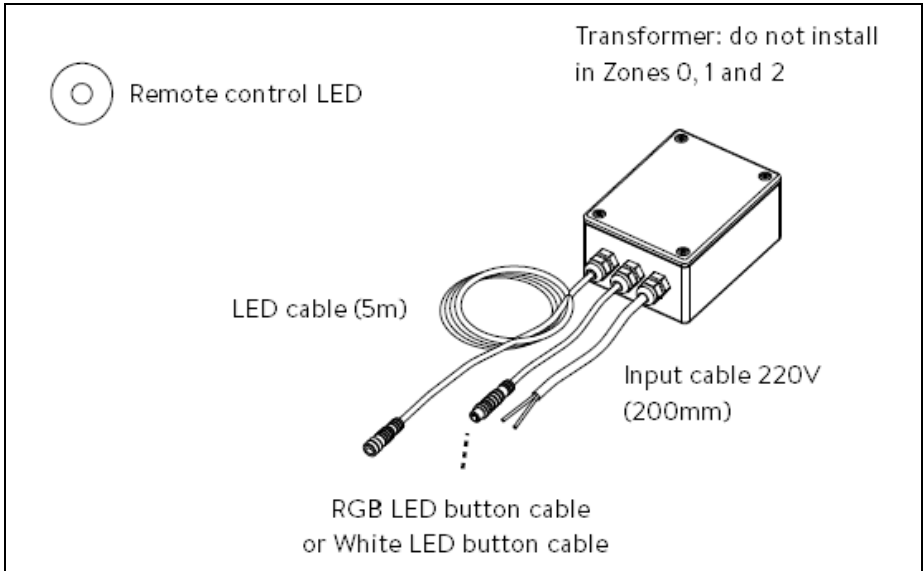
**Zone 0** is inside the bath or shower tray itself. Any appliance used in this zone must be rated at least IP67 which is total immersion proof.

**Zone 1** is the area above the bath or shower tray to a height of 2.25m from the floor. In this zone a minimum rating of IP44 is required and products must also be protected by a 30mA residual current device (RCD) to protect the circuit. The electrical connection to the power supply for these products must be in Zones 2/3 of the bathroom in compliance with BS7671:2001 - IEE Wiring Regulations.

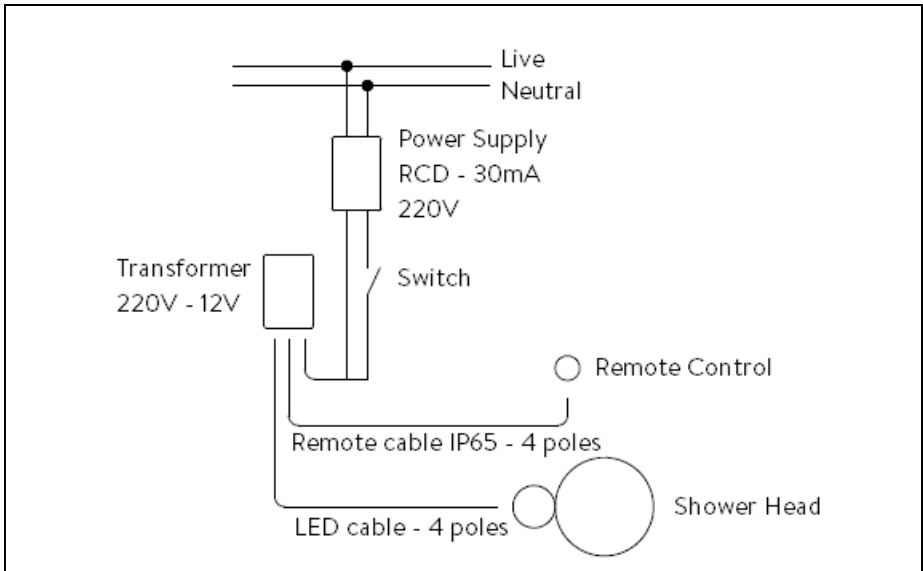
**Zone 2** is an area stretching 0.6m outside the perimeter of the bath and to a height of 2.25m from the floor. In this zone an IP rating of at least IP44 is required. In addition, it is good practice to consider the area around a washbasin, within a 60cm radius of any tap to be considered as zone 2.

*This installation guide is for reference only, in case there is a discrepancy between that of the instructions and that of the actual product, the latter should be taken as standard & subject to change without prior notice.*

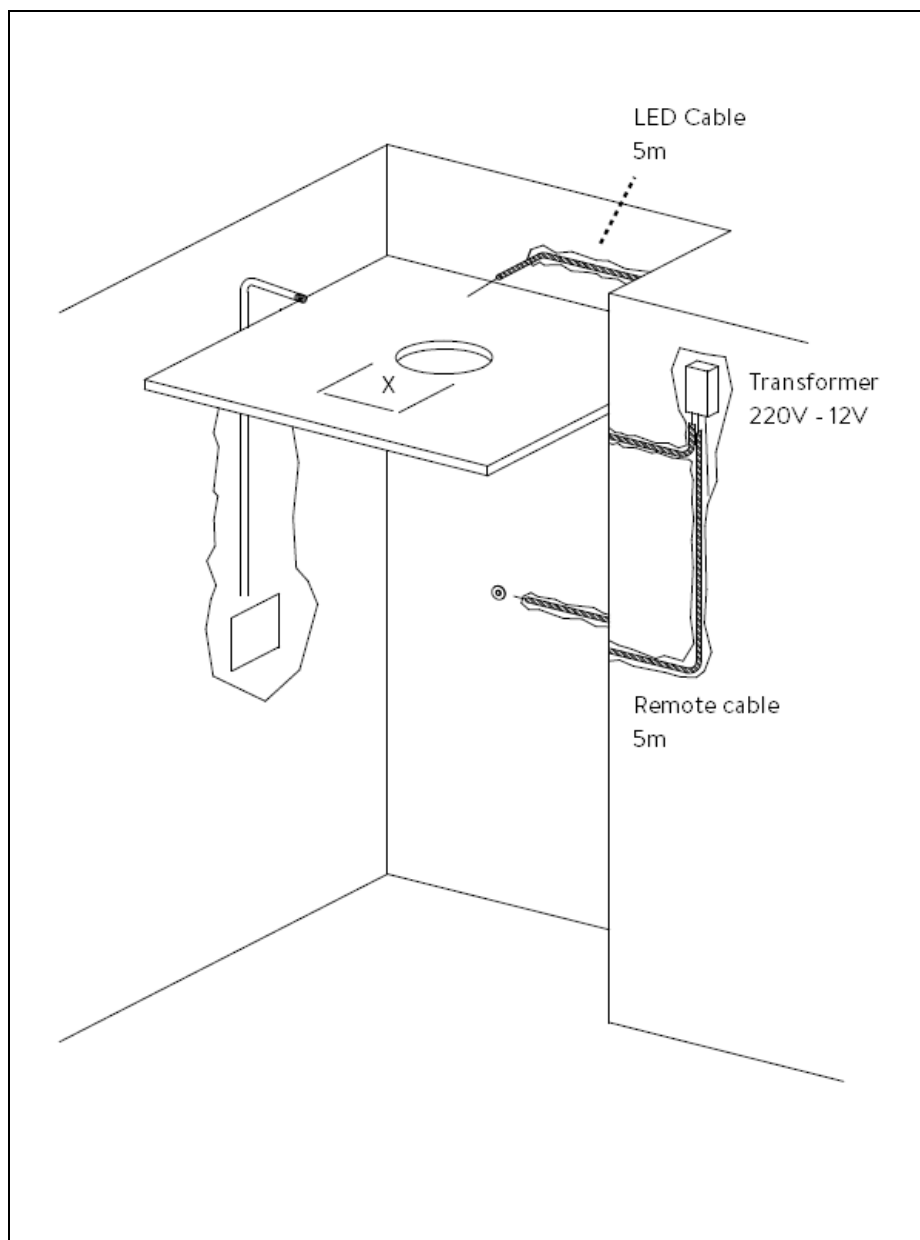
# RGB & WHITE SPOT LIGHT



All False ceiling shower heads require installation of a switch on the transformer supply.



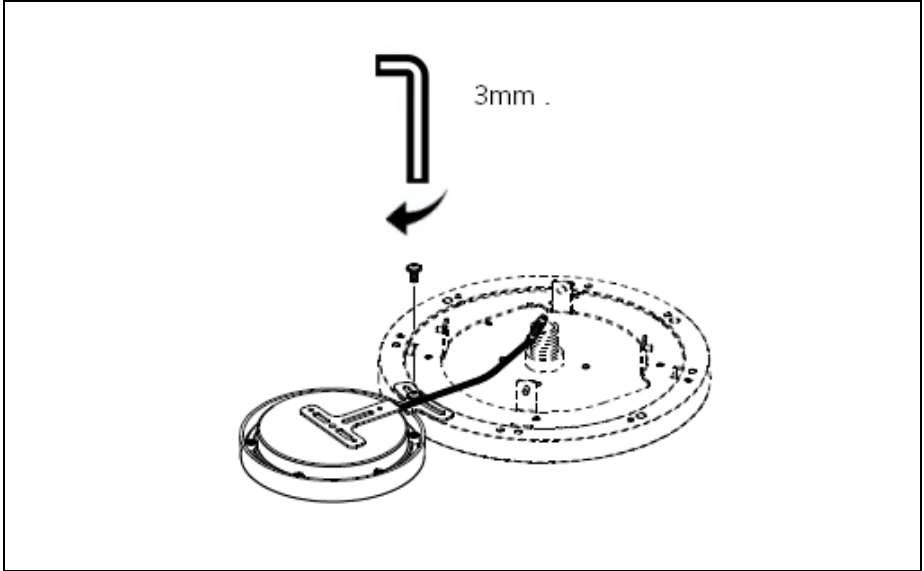
## INDIVIDUAL RGB OR WHITE SPOT LIGHT



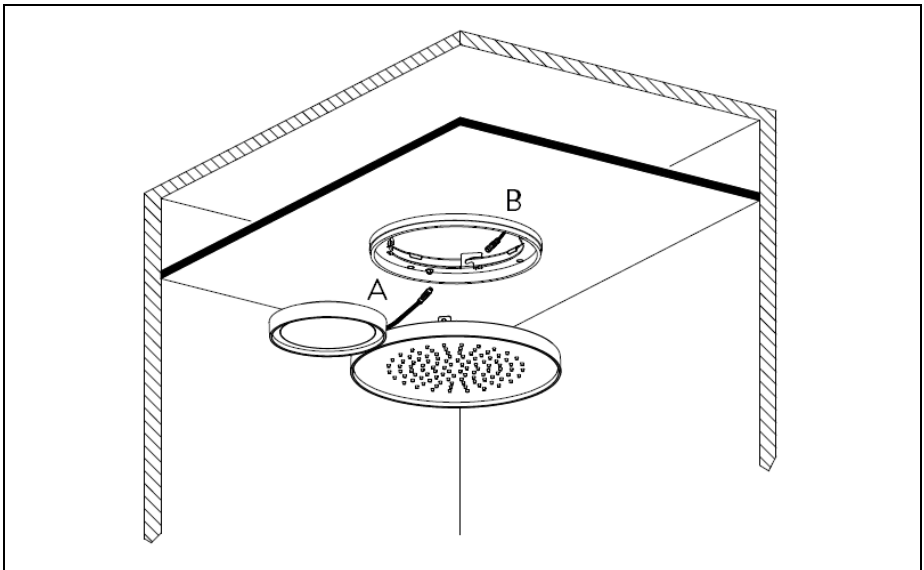
\*All cables must be run in a conduit minimum  $\text{Ø}20\text{mm}$

X - Area for showerhead installation

# INDIVIDUAL RGB OR WHITE SPOT LIGHT

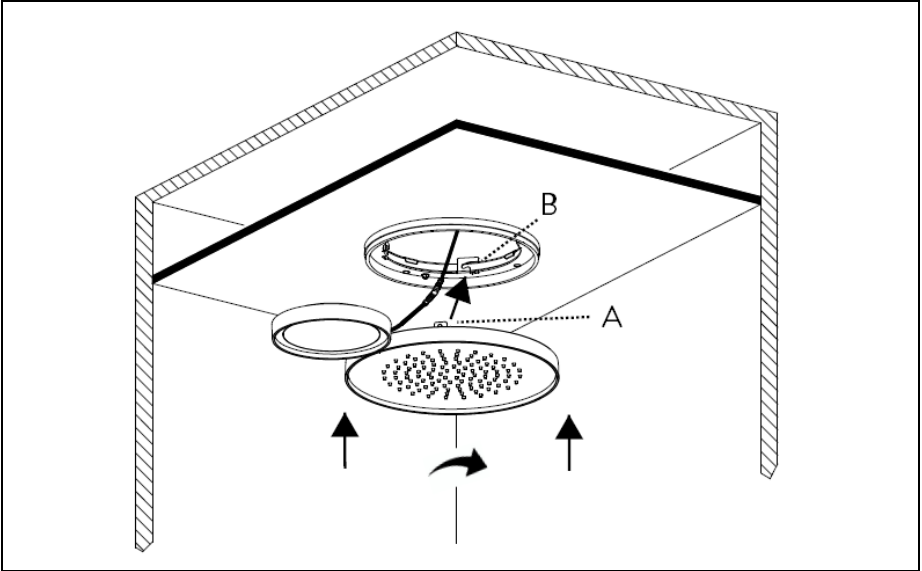


Choose the position of the LED light, tighten the light to the frame of the shower head.

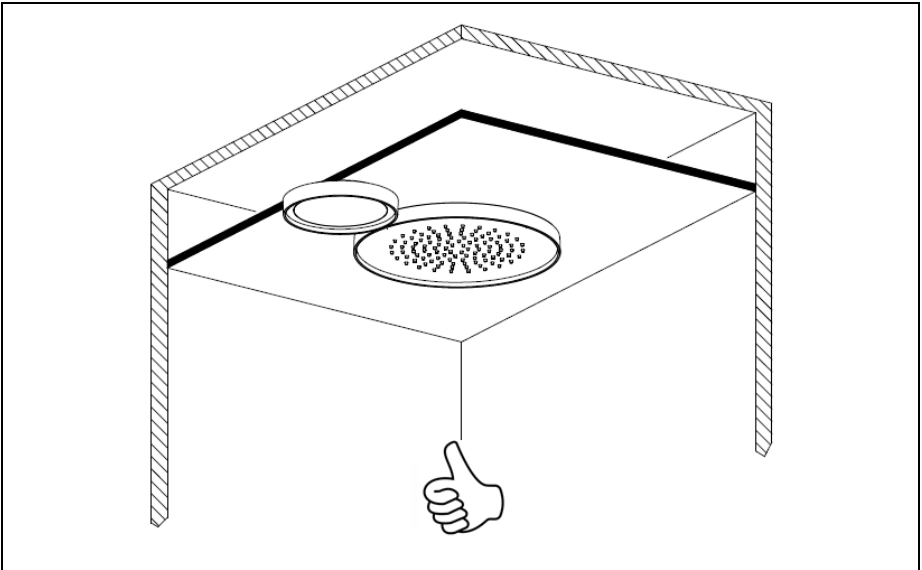


Connect the LED cable from the light **A** to the LED cable **B** from the transformer.

# INDIVIDUAL RGB OR WHITE SPOT LIGHT

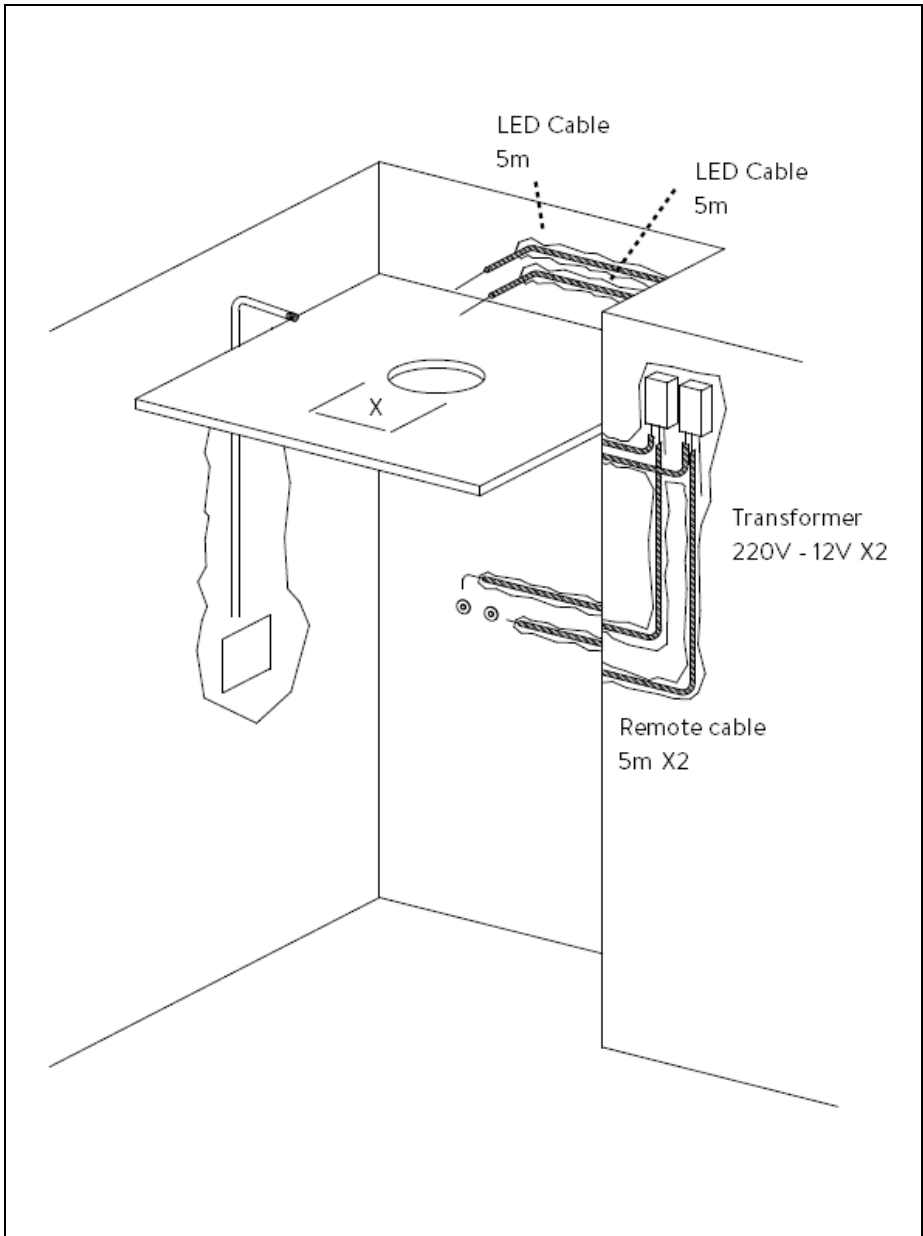


To fix the shower head, insert pins A into hook B on the frame and rotate anti-clockwise.



Light Installation complete...

# MULTIPLE RGB OR WHITE SPOT LIGHTS

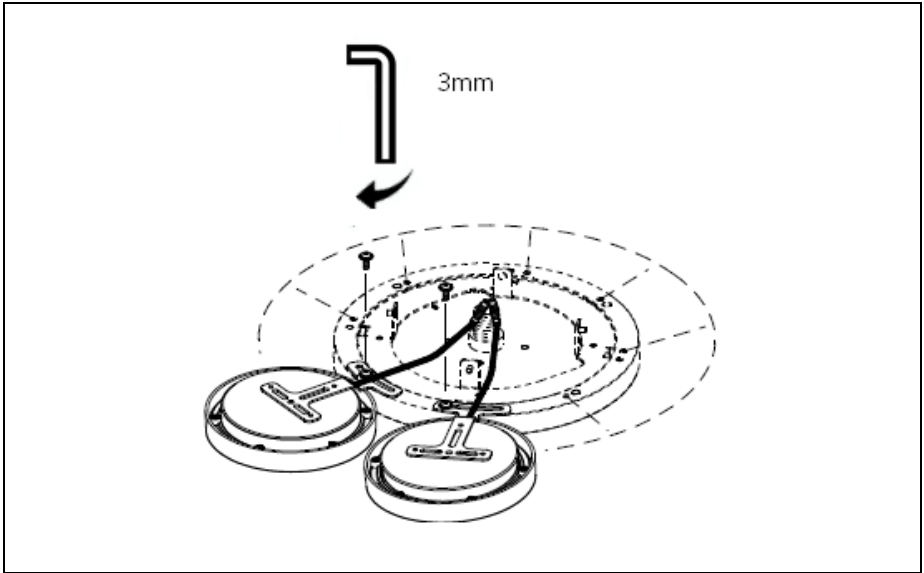


\*All cables must be run in a conduit minimum  $\varnothing 20\text{mm}$

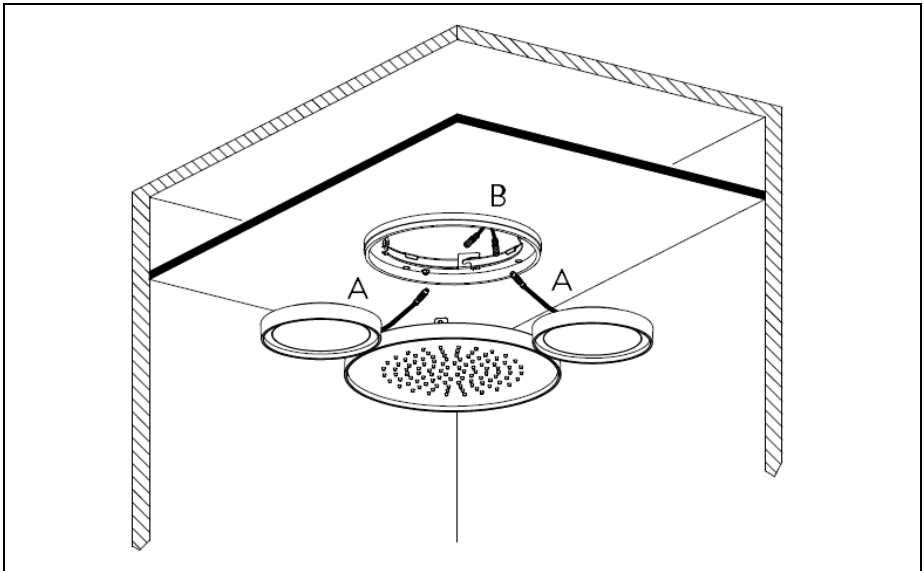
X - Area for showerhead installation CONCEALED SHOWER MIXER



## MULTIPLE RGB OR WHITE SPOT LIGHTS

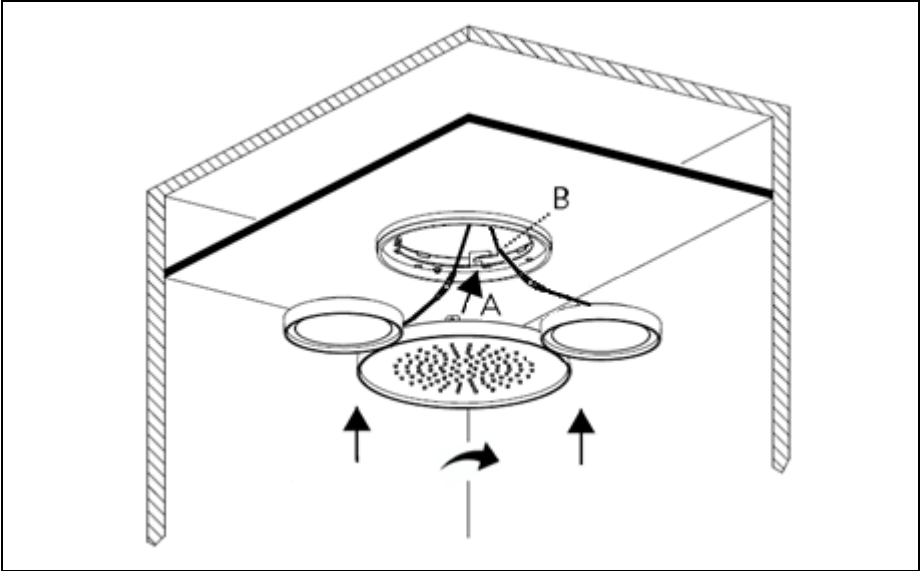


Choose the position of the LED lights, tighten the lights to the frame of the shower head.

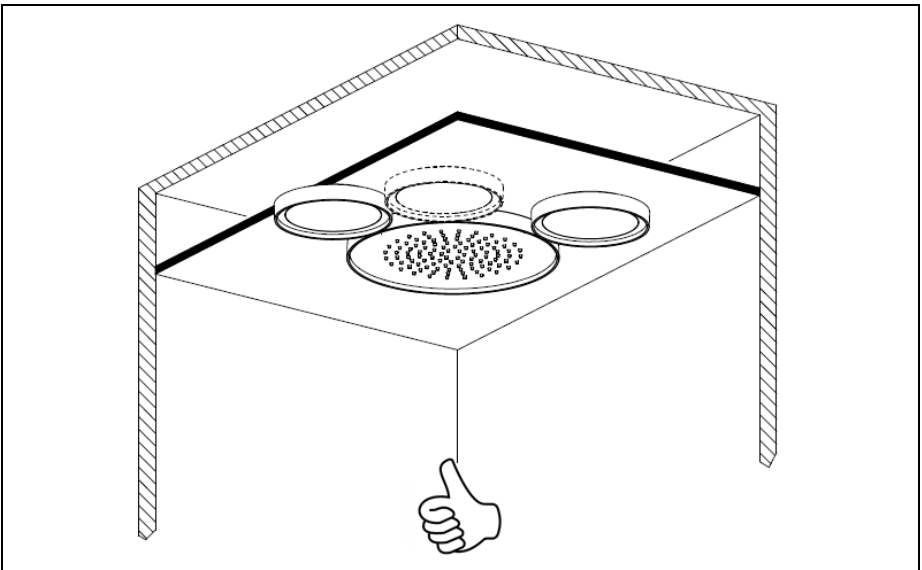


Connect the LED cables from the lights **A** to the LED cables **B** from the transformer.

## MULTIPLE RGB OR WHITE SPOT LIGHTS

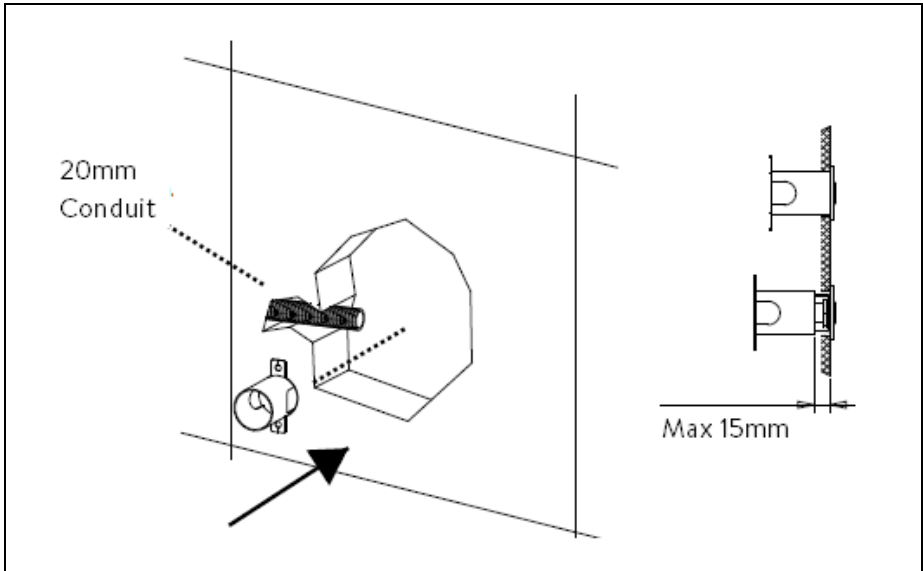


To fix the shower head, insert pins A into hook B on the frame and rotate anti-clockwise.

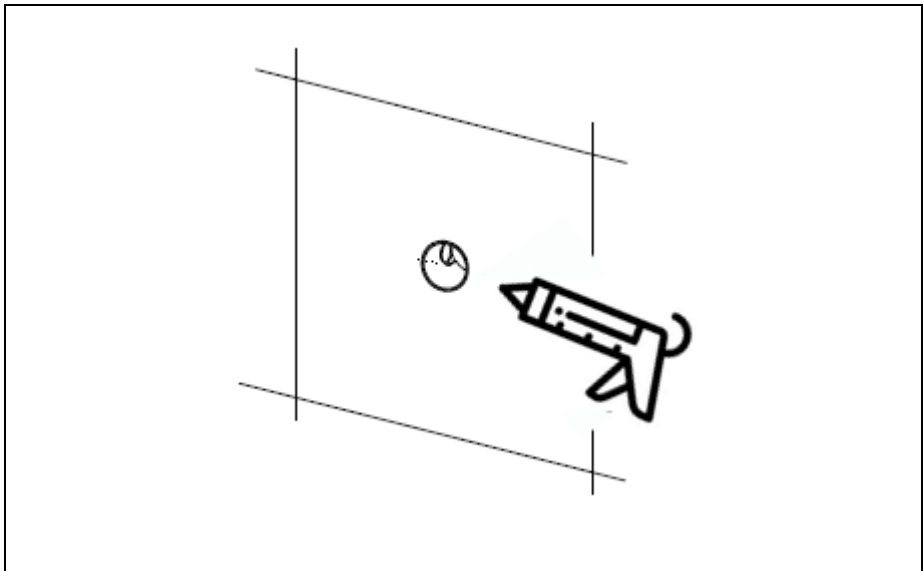


Light Installation complete...

## REMOTE CONTROL INSTALLATION

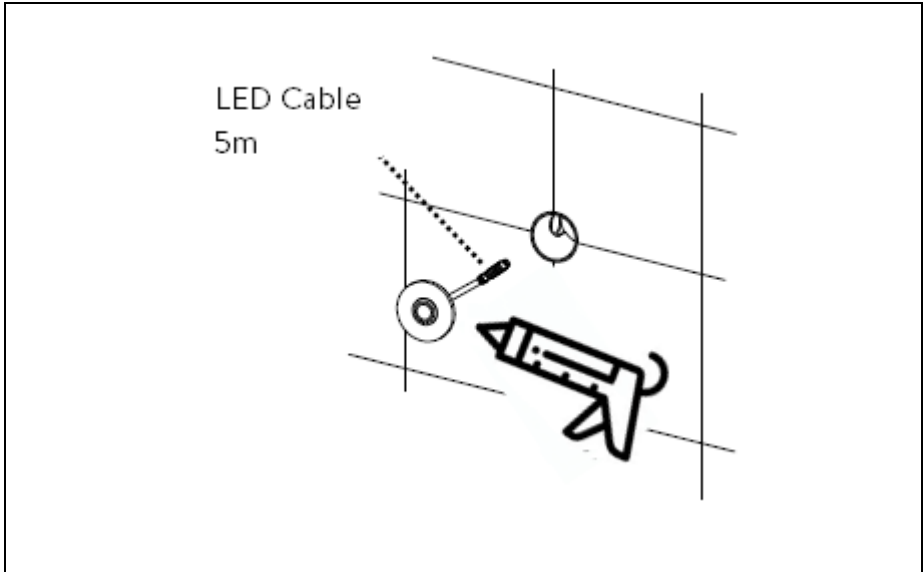


Install the concealed box at a depth so that finished surface is between the Min/Max markings shown above.

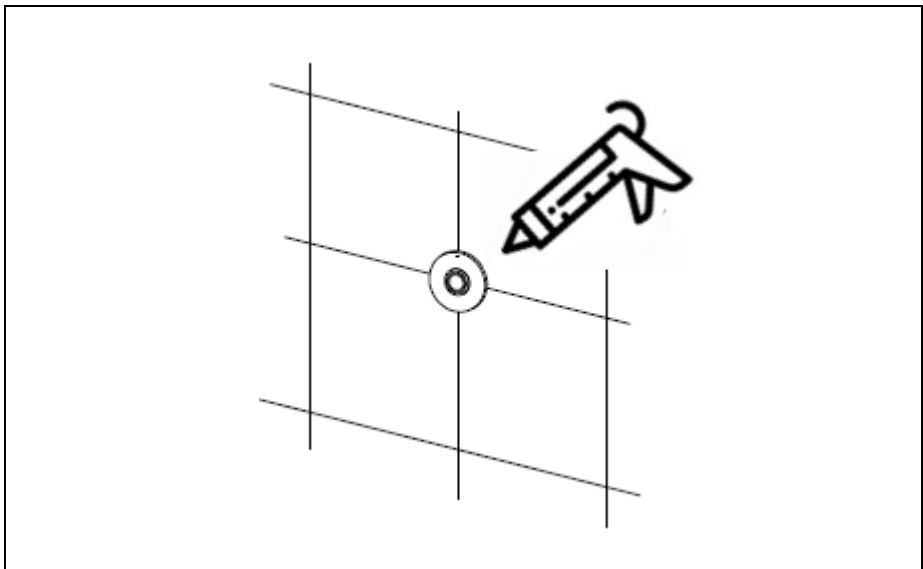


Apply the surrounding finishes and silicon around the concealed box

## REMOTE CONTROL INSTALLATION

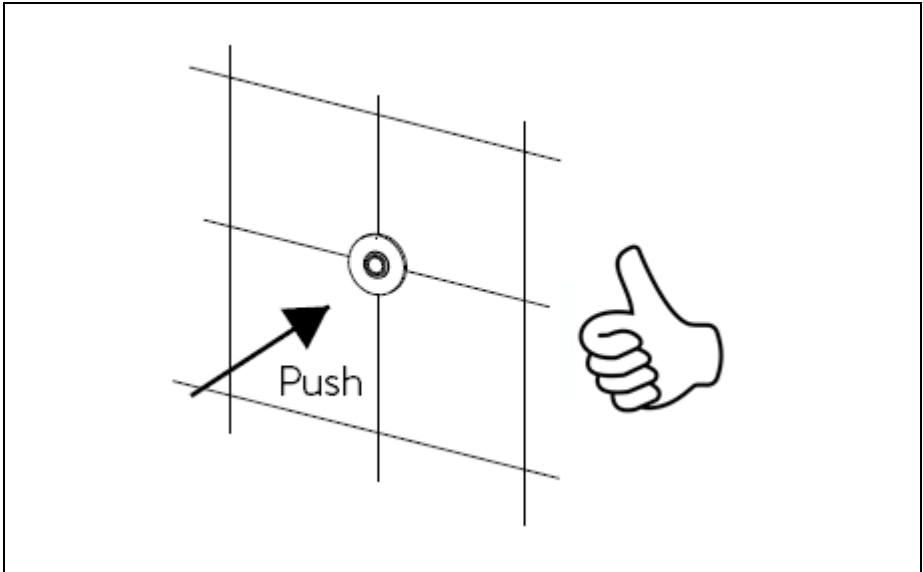


Thread the LED cable through the conduit back to the transformer, place a bead of silicon around the back part of the control and place in position.



After the silicon has dried, remove and excess. Then place another bead of silicon around the perimeter to ensure its waterproofed.

## REMOTE CONTROL FUNCTION



### RGB OR WHITE SPOT LIGHT

Single Click – On

Single Click – Off

### RGB SPOT LIGHT

Single Click – On

Double Click – Change colour:

Green – Light Blue – Blue – Violet – Red – Yellow – Orange

### **Whilst light is on:**

Click and Hold - 5 seconds

Automatic colour cycle will begin.

Single Click – Stop Colour cycle.

Single Click – Off

## MAINTENANCE

### CLEANING CARE GUIDE

Please follow the below recommendations to ensure the product performs to your satisfaction and gives many years of use.

We recommend cleaning with a soft damp cloth and mild soap solution.

Do not use cream cleaners, cleaners containing bleach or abrasive cleaning agents

Do not scrub or scour.

Do not use solvent based cleaners.

Some nickel finishes will very slightly darken over time.

Specific stainless steel cleaners can be used on stainless steel products.

### TECHNICAL FEATURES

Voltage supply: 12 Vcc +/- 3%

Maximum consumption: 1.3 A – 8.4 A

Functioning: Continuous Ambient operating temperature: 0-+40 °

Relative non-condensing humidity: 5% -90%

Protection degree: IP55

Input and output connection: Rising clamp terminal block

Safety standard: Not required

Enic standard: EN55022/b

Class 2 LASER product, Class 2 light radiations are considered as posing a low risk, but potentially dangerous.

### WARNING

Before connecting the unit for the first time, please read carefully the following sections. AC voltages varies according to each country.

Ensure that the voltage of your local power supply corresponds to the required voltage.

### TRANSFORMER

Voltage supply:

Input 190 -230 VAC 50/60Hz +/- 20%

output - 12Vcc +/- 3%

Power: 48 Watt

It is strongly recommended to use the feeder transformer supplied.

If a different transformer is to be used, please ensure that is compatible with the device.

The use of feeders with different characteristics or incompatible may damage the product and invalidate the warranty.



