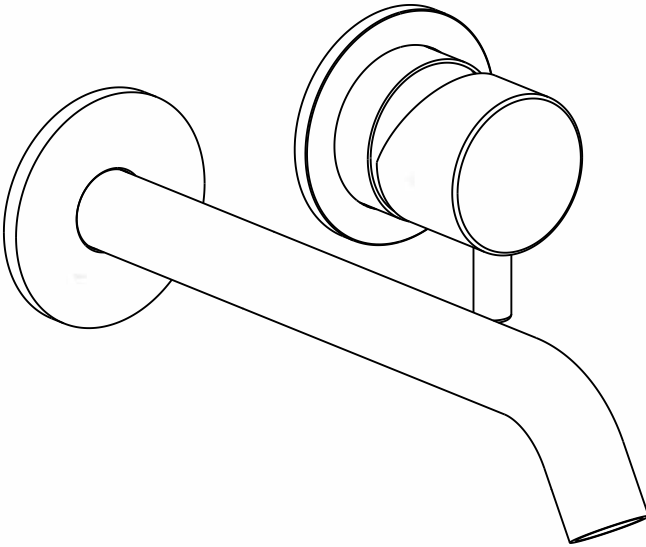


AQUAZONE

QUALITY PLUMBING SOLUTIONS

General Installation Guide

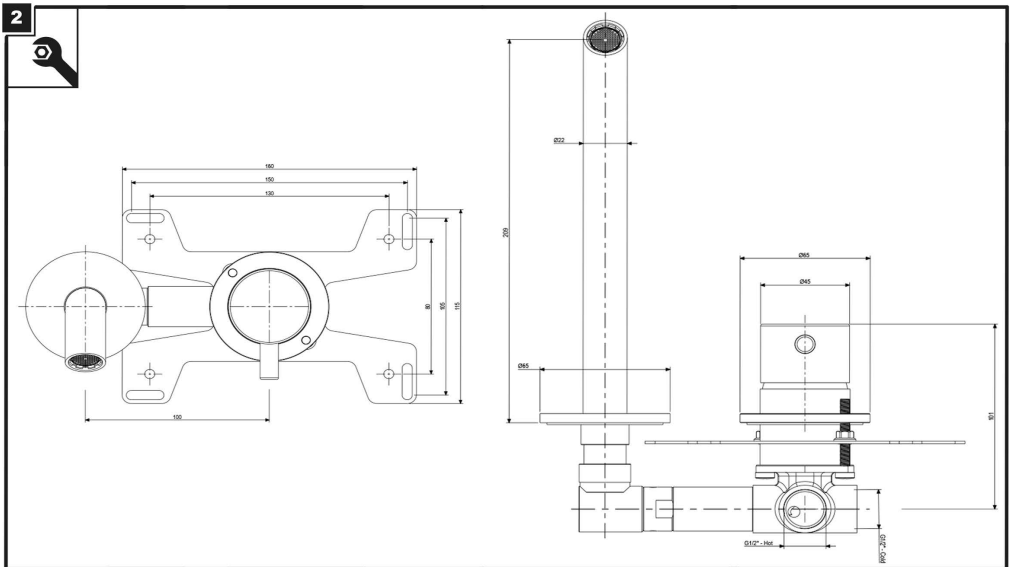
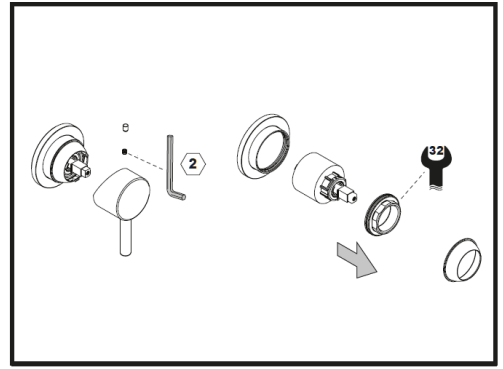
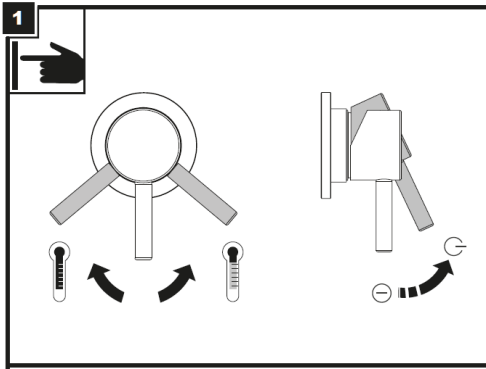
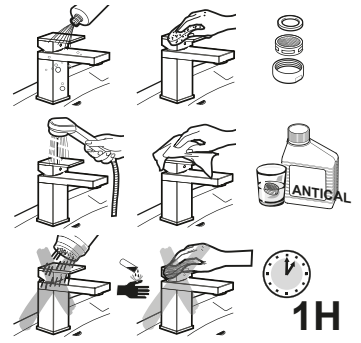
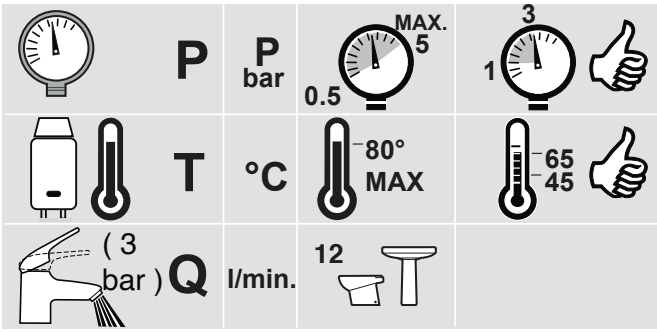


EX3-315

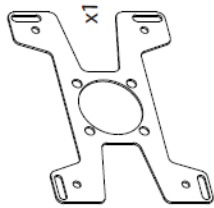
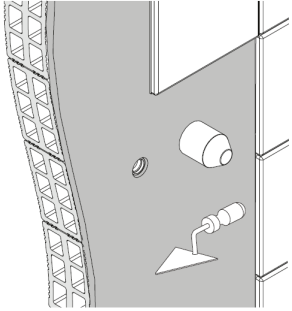
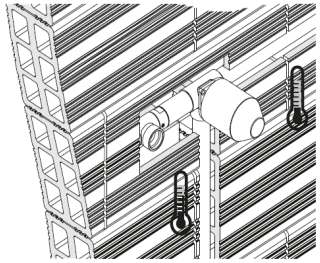
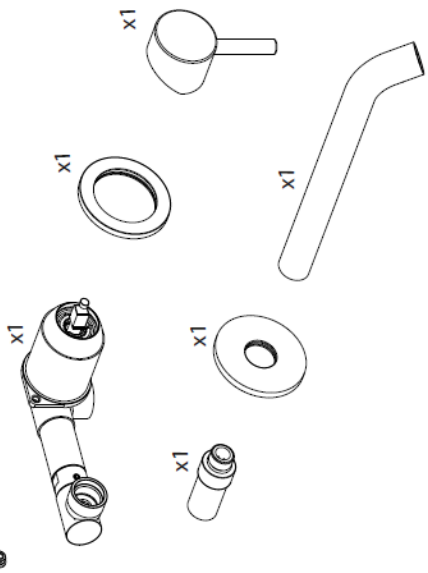
CONCEALED 2 HOLE
BASIN MIXER

A member of  SANIPEXGROUP

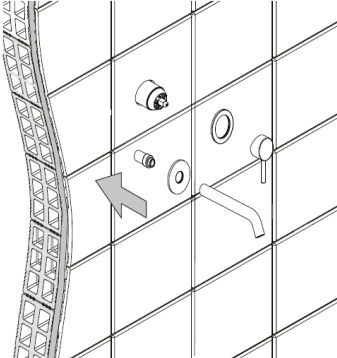
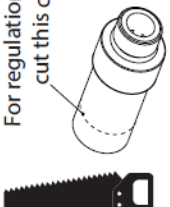
Please leave these instructions with the customer



3



For regulation of the spout cut this connector



AQUAZONE

QUALITY PLUMBING SOLUTIONS

Oakwell Way, Birstall
Leeds, England WF9 17LU

A member of  SANIPEXGROUP