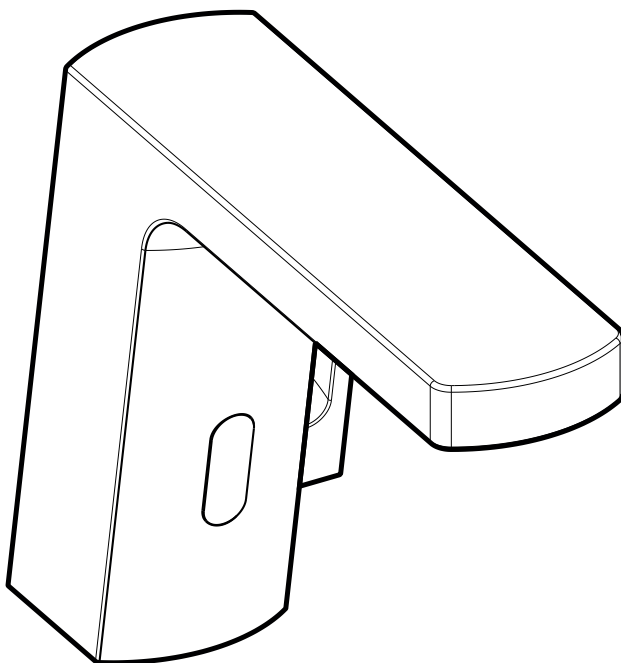


BAGNODESIGN

EXPERTLY CRAFTED BATHROOMS

Installation Guide



BDM-CUB-1301-XX

CUBE TOUCHLESS BASIN MIXER
(BATTERY OPERATED)

A member of **SANIPEXGROUP**
www.sanipexgroup.com

IMPORTANT PLEASE READ

All products manufactured and supplied by BAGNODESIGN are fit for purpose as long as they are Installed, used correctly, cleaned and receive regular maintenance in accordance with these instructions...

Remove all packaging and check the product for damage or missing parts before commencing with the installation.

Any alterations made to this product and its components may infringe product certification, infringe water regulations and invalidate the guarantee. The Installation must comply with all local/national water supply authority regulations/bylaws and building and plumbing regulations, therefore we strongly recommend that your product be installed by a reputable qualified trade's person.

PRODUCT LIFECYCLE

"The product LiveCyclele is the collective stages that a product goes through from its conception and design through to its ultimate disposal."

DISPOSAL GUIDANCE

The best way to ensure your Product has a long life is to follow the Care and Maintenance guides set by the Manufacture after purchase. This document can be found at www.sanipexgroup.com.

The life cycle of the product is not in correlation to the product Guarantee; the standards the products are manufactured or certified to (e.g. CE & WRAS) can exceed past the Guarantee duration. After the life cycle of the product is deemed complete by the end-user please follow the below to dispose of the items correctly...

Mixers (Taps):

If the mixers are no longer accepted due to mechanical use or aesthetic style, these can be disposed of at a registered Local Authority waste recycling center where the individual components can be sorted.

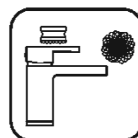
CLEANING CARE GUIDE

Only use a mild soap and water for cleaning.
Rinse with water to remove the mild soap solution.
We recommend the product is dried using a soft cloth after every use.

Never use any abrasive or strong cleaning products containing, bleaches, acids (hydrochloric, formic, phosphorus, chlorine or acetic), strong detergents, limescale remover, alcohol or dyes etc.

Never use abrasive cleaning pads, wire wool or microfibre cloths.
Never use cleaning equipment that may have been pre-used and contaminated with the above substances.

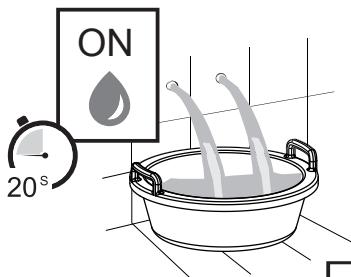
Never apply the cleaning product directly onto the finished surface.



Tools Required (Not supplied)



1

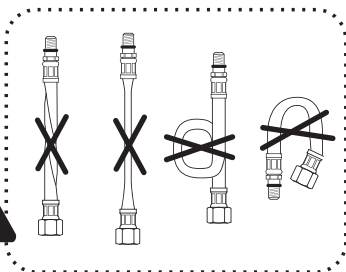
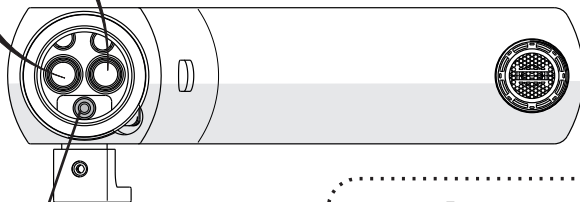


Always flush pipework before installation

Tap comes with pre-installed flexible hoses.

2

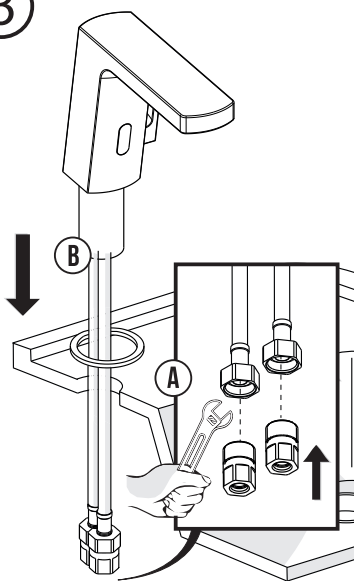
Electrical Cable



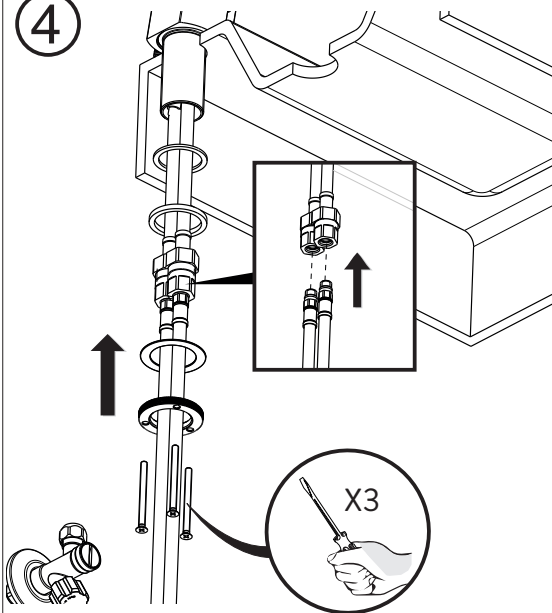
Technical Specification

Description	Electronic faucet
Power	DC: 6V (4AA alkaline battery)
Power Consumption	DC: Standby: $\leq 0.2\text{mW}$
Sensing distance	13-4 cm
Water Pressure	0,5 Bar - 5 Bar
Temperature	20° - 60°
Ø of inlet pipet	G1/2"
Flux	7.6 L/min

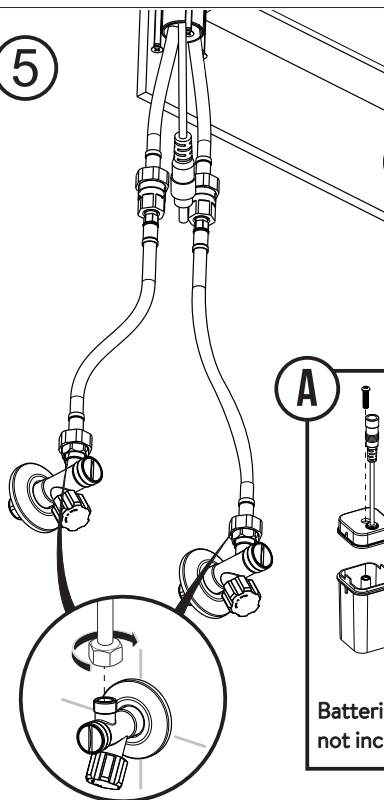
3



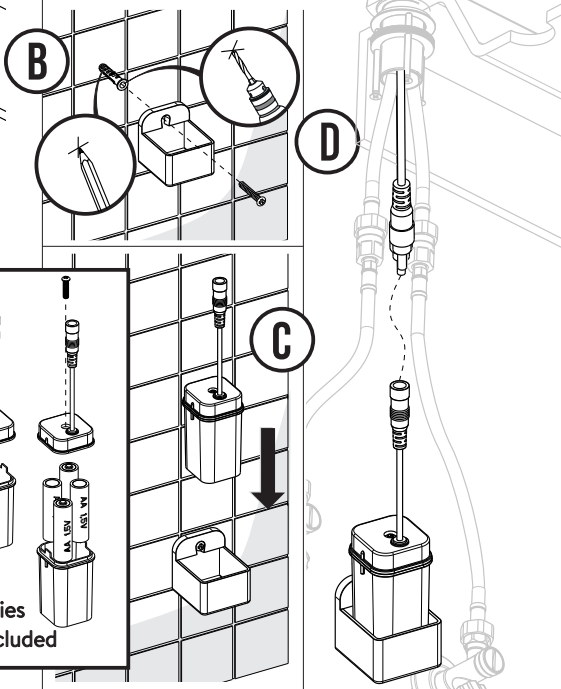
4



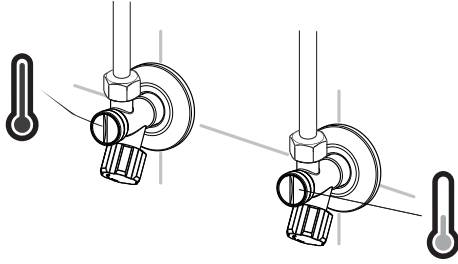
5



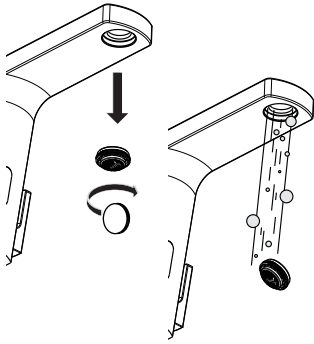
Battery Holder



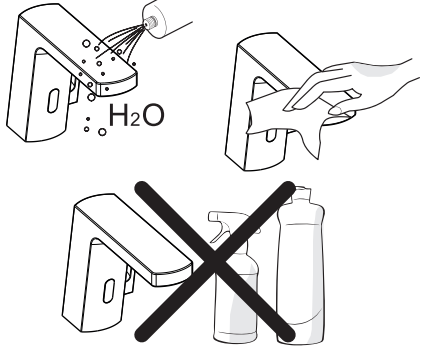
6



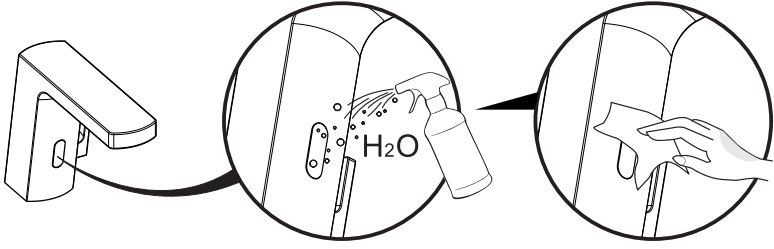
A



B

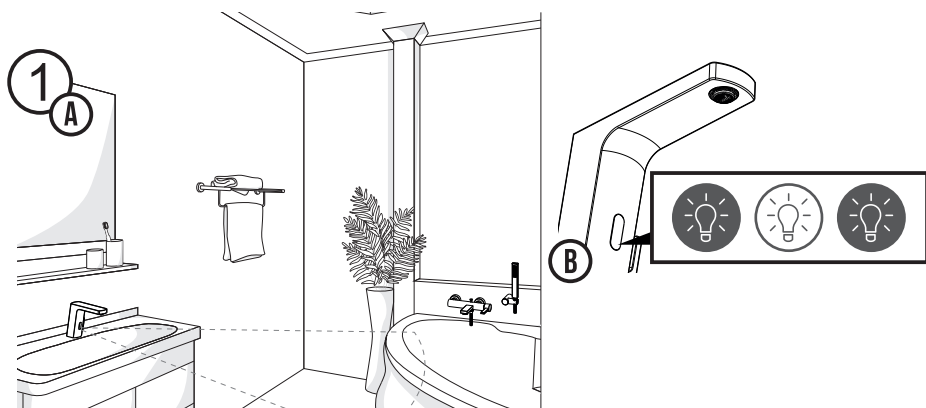


C



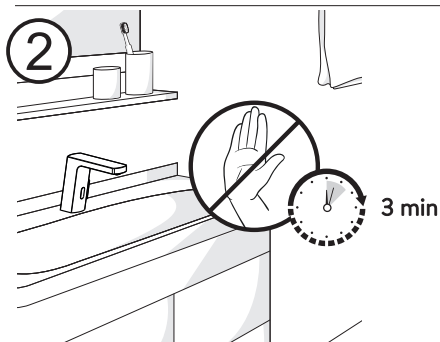
Do not use any abrasive detergents or solvents containing alcohol, metal or abrasive sponges.

First time use



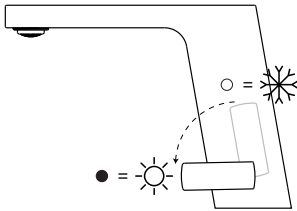
Automatically setting the initial value of the sensing distance : The sensor first scans the use environment 8 times with power on to set the sensing distance.

ATTENTION: do not shake hands or objects at the sensor window during the flash

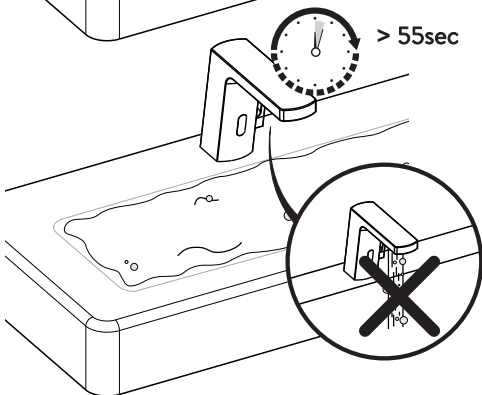
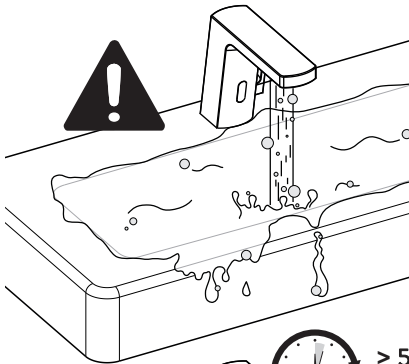
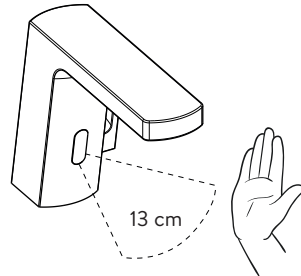


After setting the initial value of the sensing distance, the sensor should be not used for 3 minutes. During this period, the sensor repeatedly scans the use environment, and then automatically sets the optimal sensing distance according to the scan parameters.

Temperature setting



Sensing Distance 13 cm



Timeout protection: when the continuous use time exceeds 55' seconds, the sensor will automatically turn off the water, so as to avoid the phenomenon of continuous water flow caused by foreign objects in the sensor' range and waste of water.

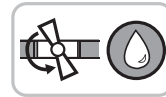
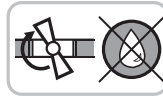
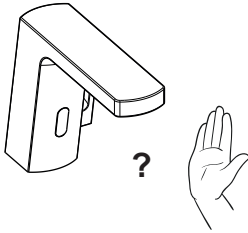


PROBLEM



SOLUTION

Lack of water supply



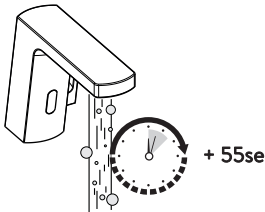
Dead battery

Replace the batteries as shown on page 2(A)

Electrical problem

- > Disconnect the battery
- > Check the connection
- > Check the integrity of the cable

Water keeps on running for more than 1minute without objects in front of the sensor



Dirty sensor

Clean the sensor as shown on page 3 (C)

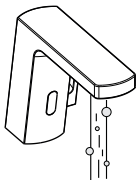
Light reflections

Remove any light reflections standing in front of the sensor

Electrical problem

Disconnect and connect the battery

Poor water flow



Low feed pressure

Check the water pressure

Outlet plugged due to dirt or lime deposits

remove and clean the aerator as shown on page 3 (A)

The water opens on hot and gets cold only by adjusting the lever

Water outlet/inlet reversed the correct temperature is shown on (page 5)

Reverse the water outlet/inlet

