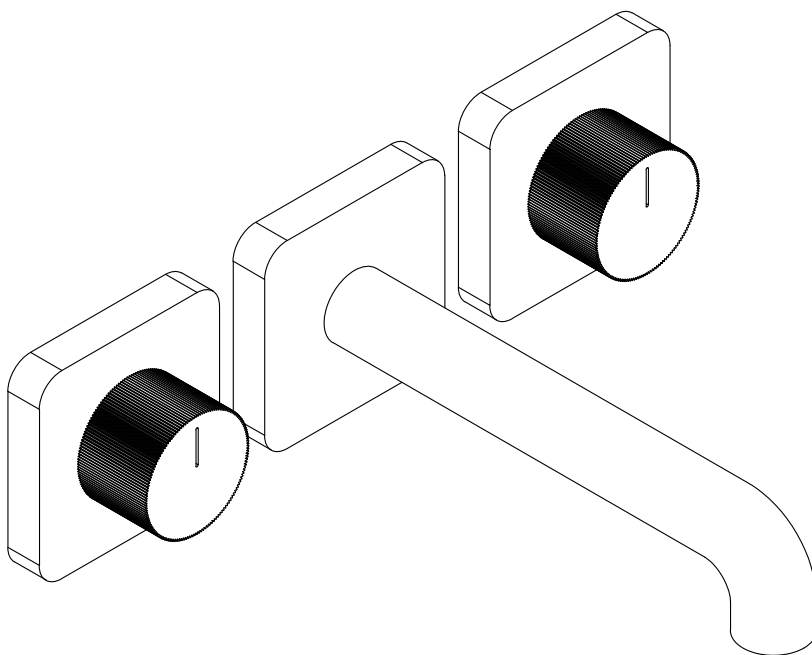


BAGNODESIGN

EXPERTLY CRAFTED BATHROOMS

Installation Guide



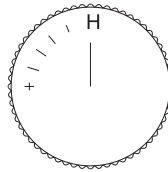
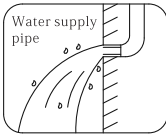
BDM-SFM-309-XX
STEREO FM CONCEALED 3 HOLE BASIN MIXER

A member of **SANIPEXGROUP**
www.sanipexgroup.com

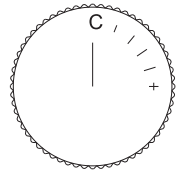
IMPORTANT PLEASE READ


Maintenance Advice

- a) If the water flow is too small, check if there are any dirt in the aerator or flexible hose. If yes, disassemble those parts and clean with water.
- b) Use soft cloth or water to remove the dirt on the surface. Do not cleanse the chrome plated surface with scratching objects or acid detergent, otherwise, the surface will be scratched and corroded.
- c) Wipe up the surface to its original finish with dry cotton cloth every time after cleansing or using it.



ON  OFF
Hot water

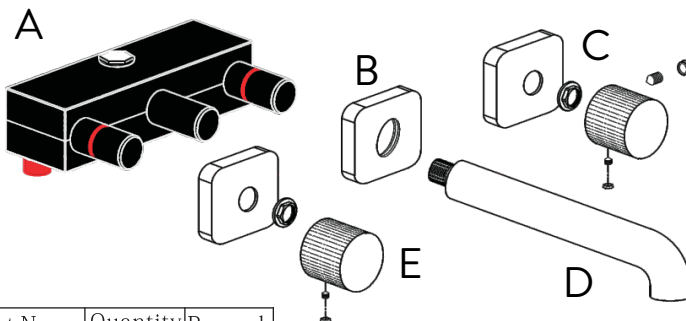


OFF  ON
Cold water

Not covered by the guarantee is:

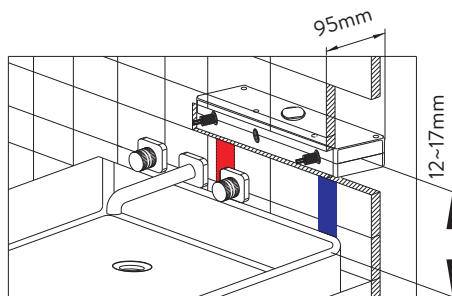
- Breakdown due to -
 - a) Use other than domestic
 - b) Willful act of neglect
 - c) Any malfunction resulting from incorrect use
 - d) incorrect assembly/installation
- Repair costs for damage caused by foreign objects or substances.
- total loss of the product due to non-availability of parts.
- Compensation for loss of use of the product or consequential loss of any kind.
- Call out charges where no fault has been found with the product.
- the cost of repair or replacement of any accessories installed at the same time.
- The cost of routine maintenance, adjustment, overhaul, modification, loss or damage, arising there from, including the cost of repairing damage, breakdown, malfunction caused by incorrect use, assembly or maintenance.

PARTS LIST

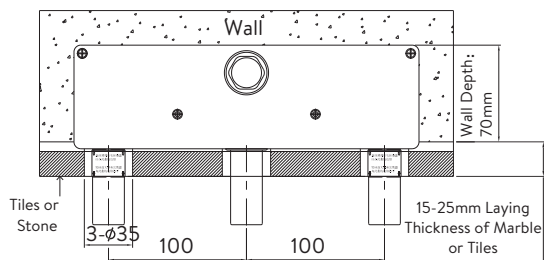
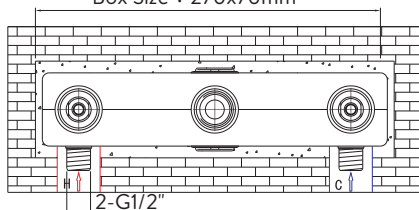


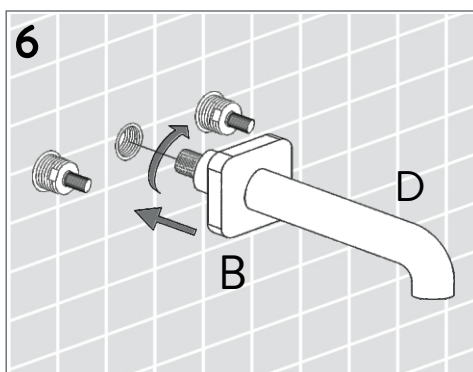
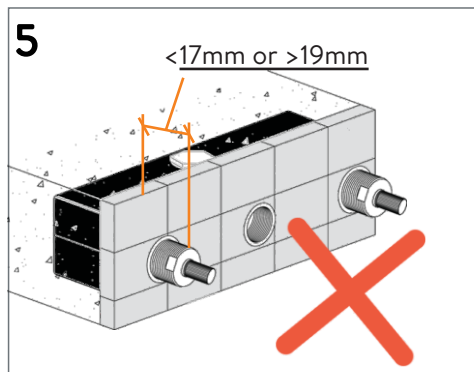
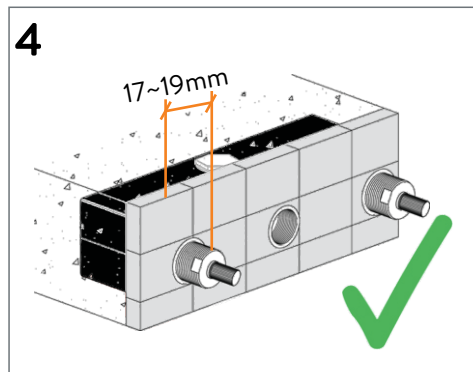
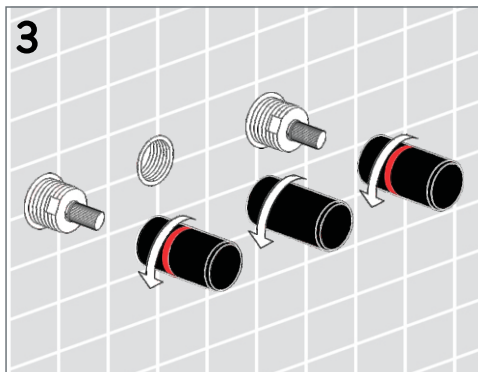
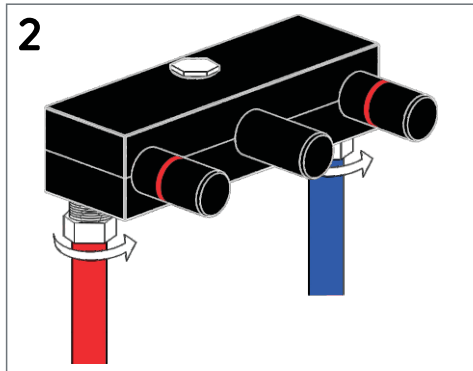
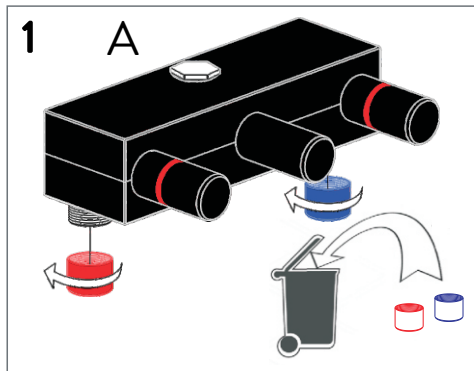
No.	Product Name	Quantity	Remark
A	Faucet	1	
B	Cover B	1	
C	Cover C	2	
D	Spout	1	
E	Handle	2	

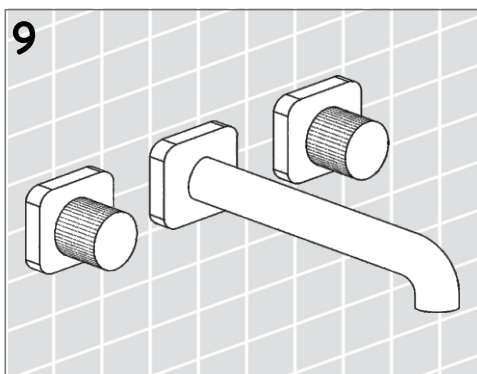
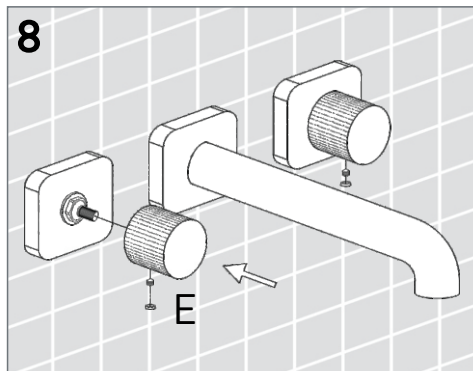
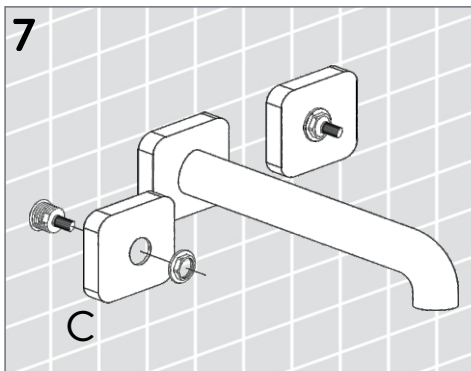
Installation Recommendation



Box Size : 270x70mm







The installation guide is for reference only. In case there is discrepancy between the instruction and that of the actual product, the latter should be taken as standard. The rights of modification is reserved.

