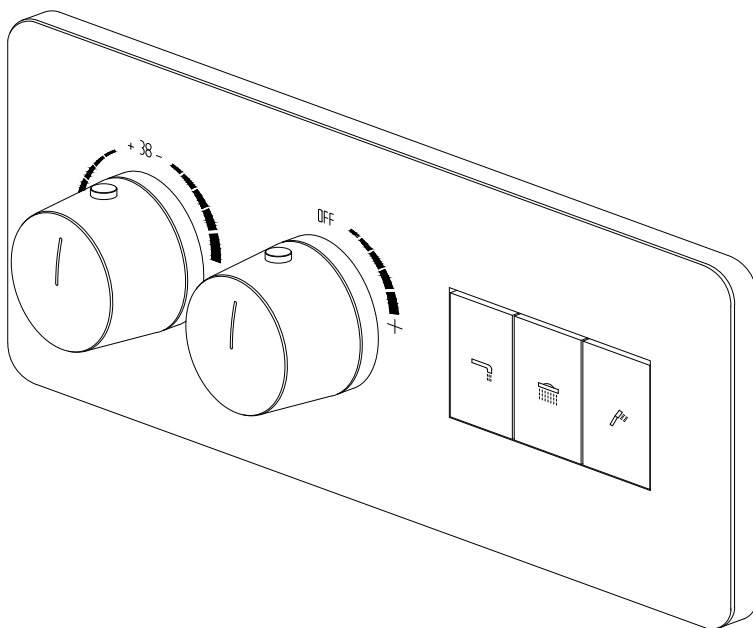


BAGNODESIGN

EXPERTLY CRAFTED BATHROOMS

Installation Guide



BDM-SFM-T303-XX

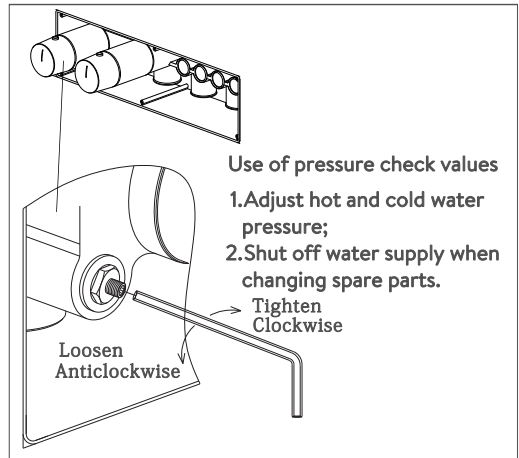
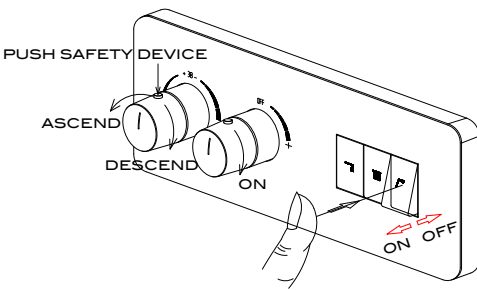
STEREO FM THERMOSTATIC SHOWER MIXER WITH 3 OUTLET

A member of **SANIPEXGROUP**
www.sanipexgroup.com

IMPORTANT PLEASE READ

Maintenance Advice

- If the water flow is too small, check if there are any dirt in the aerator or flexible hose. If yes, disassemble those parts and clean with water.
- Use soft cloth or water to remove the dirt on the surface. Do not cleanse the chrome plated surface with scratching objects or acid detergent, otherwise, the surface will be scratched and corroded.
- Wipe up the surface to its original finish with dry cotton cloth every time after cleansing or using it.

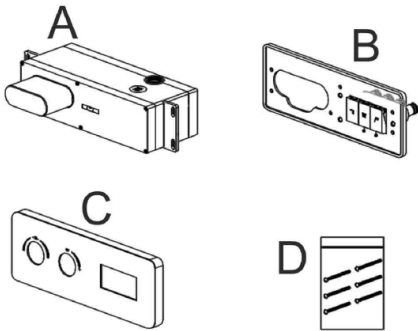


Not covered by the guarantee is:

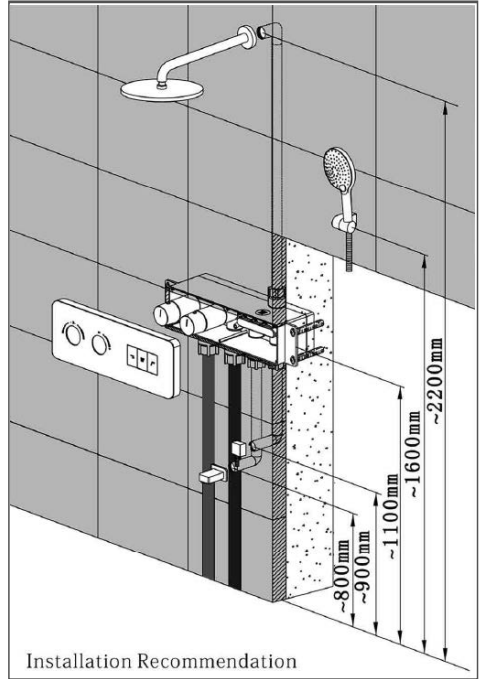
- Breakdown due to -
 - Use other than domestic
 - Willful act of neglect
 - Any malfunction resulting from incorrect use
 - incorrect assembly/installation
- Repair costs for damage caused by foreign objects or substances.
- total loss of the product due to non-availability of parts.
- Compensation for loss of use of the product or consequential loss of any kind.
- Call out charges where no fault has been found with the product.
- the cost of repair or replacement of any accessories installed at the same time.
- The cost of routine maintenance, adjustment, overhaul, modification, loss or damage, arising there from, including the cost of repairing damage, breakdown, malfunction caused by incorrect use, assembly or maintenance.



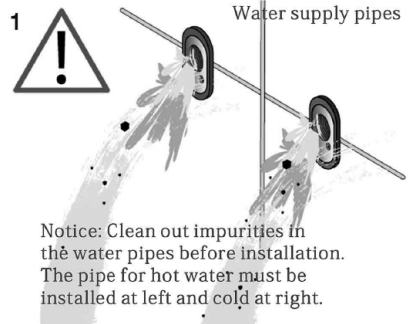
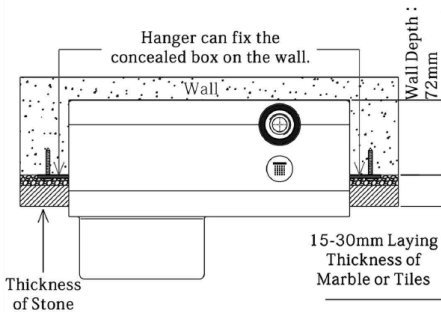
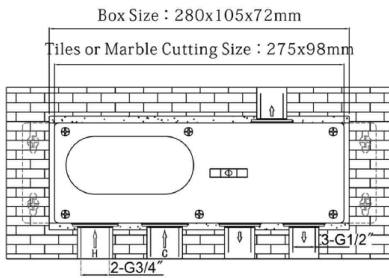
PARTS LIST



No.	Product Name	Quantity	Remark
A	Mixer Body	1	
B	Push Button	1	
C	Cover	1	
D	Installtion Tool	1	

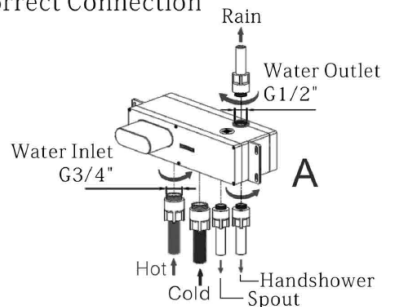


Installation Recommendation



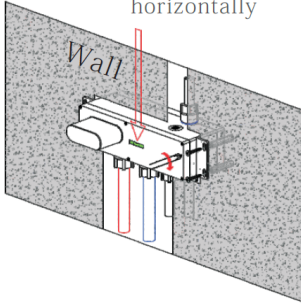
Notice: Clean out impurities in the water pipes before installation. The pipe for hot water must be installed at left and cold at right.

2. Correct Connection



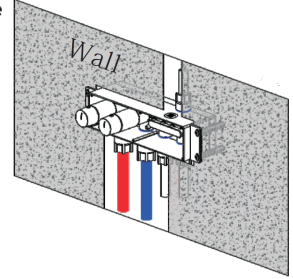
3

Observe the spirit level to make sure it is installed horizontally



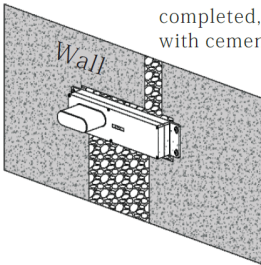
4. Installation Test

Open the box cover and observe that there should be no water leakage. After the pipeline is fully connected, apply 0.5 - 1.2MPa water pressure to both ends of the cold and hot water, and carefully check the joints. There should be no water leakage in the pipeline, checking time should not less than 5 minutes.

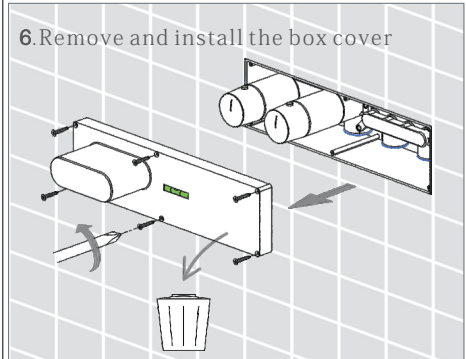


5. Close the wall

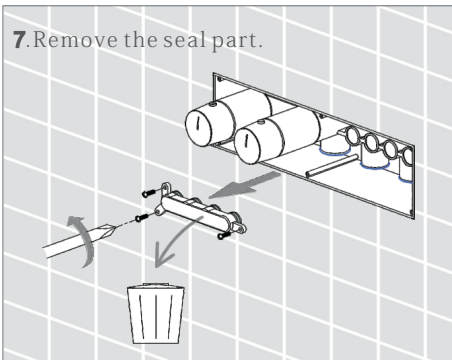
After the installation test is completed, seal the pipeline with cement filler.



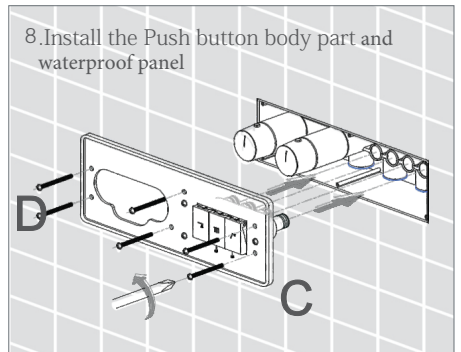
6. Remove and install the box cover



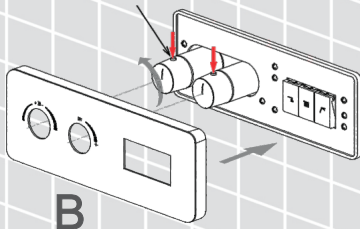
7. Remove the seal part.



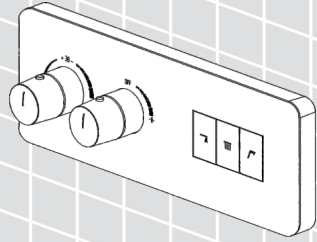
8. Install the Push button body part and waterproof panel



9. Before installing the panel, press the button and rotate it to the left



10



The installation guide is for reference only. In case there is discrepancy between the instruction and that of the actual product, the latter should be taken as standard. The rights of modification is reserved.

Installation Complete

BAGNODESIGN

EXPERTLY CRAFTED BATHROOMS

A member of SANIPEXGROUP
www.sanipexgroup.com