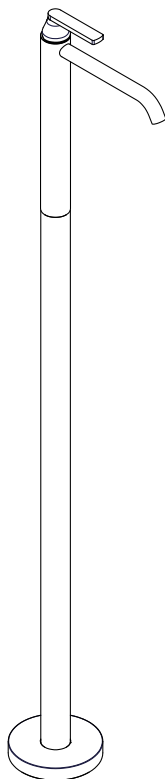


BAGNODESIGN

EXPERTLY CRAFTED BATHROOMS

Installation Guide



BDM-BIS-306-XX

BRISTOL FLOOR MOUNTED BASIN MIXER

A member of **SANIPEXGROUP**
www.sanipexgroup.com

IMPORTANT PLEASE READ

All products manufactured and supplied by BAGNODESIGN are fit for purpose as long as they are installed, used correctly, cleaned and receive regular maintenance in accordance with these instructions...

Remove all packaging and check the product for damage or missing parts before commencing with the installation.

Any alterations made to this product and its components may infringe product certification, infringe water regulations and invalidate the guarantee. The Installation must comply with all local/national water supply authority regulations/bylaws and building and plumbing regulations, therefore we strongly recommend that your product be installed by a reputable qualified trade's person.

PRODUCT LIFECYCLE

"The product LiveCyclele is the collective stages that a product goes through from its conception and design through to its ultimate disposal."

DISPOSAL GUIDANCE

The best way to ensure your Product has a long life is to follow the Care and Maintenance guides set by the Manufacture after purchase. This document can be found at www.sanipexgroup.com.

The life cycle of the product is not in correlation to the product Guarantee; the standards the products are manufactured or certified to (e.g. CE & WRAS) can exceed past the Guarantee duration. After the life cycle of the product is deemed complete by the end-user please follow the below to dispose of the items correctly...

Mixers (Taps):

If the mixers are no longer accepted due to mechanical use or aesthetic style, these can be disposed of at a registered Local Authority waste recycling center where the individual components can be sorted.

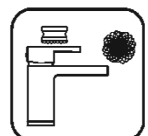
CLEANING CARE GUIDE

Only use a mild soap and water for cleaning.
Rinse with water to remove the mild soap solution.
We recommend the product is dried using a soft cloth after every use.

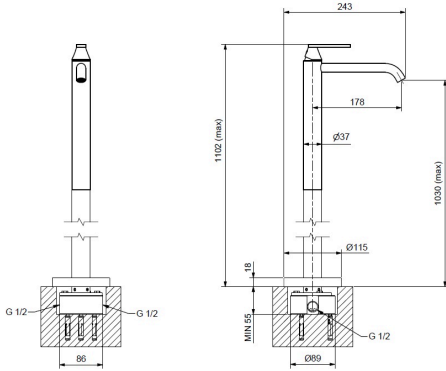
Never use any abrasive or strong cleaning products containing, bleaches, acids (hydrochloric, formic, phosphorus, chlorine or acetic), strong detergents, limescale remover, alcohol or dyes etc.

Never use abrasive cleaning pads, wire wool or microfibre cloths.
Never use cleaning equipment that may have been pre-used and contaminated with the above substances.

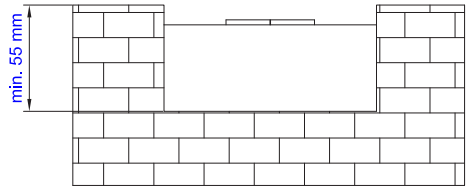
Never apply the cleaning product directly onto the finished surface.



TECHNICAL IMAGE

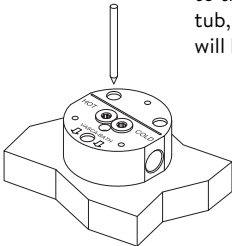


- 1 Assemble the parts as per the above. Ensure that the mains water supply is off before installation. This mixer must be secured/anchored to a suitable substrate to ensure the mixer is stable. Before making any inlet pipe connections, all supply pipes **MUST** be thoroughly flushed to remove debris. Failure to do this could result in damage to the cartridge and components or low flow from the mixer.

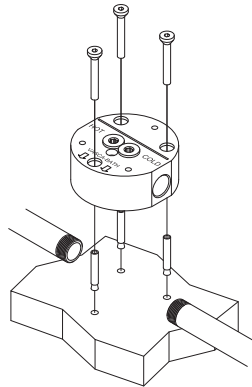


- 2 The concealed base needs to be installed onto the stable substrate 55mm (min) from finished floor level. The water supply pipes will also need to be positioned under the finished floor level.

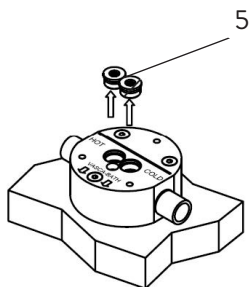
Place the base into the floor and mark the drilling points. Make sure that the line on the base is parallel to the edge of the bath tub, otherwise the pillar will look crooked.



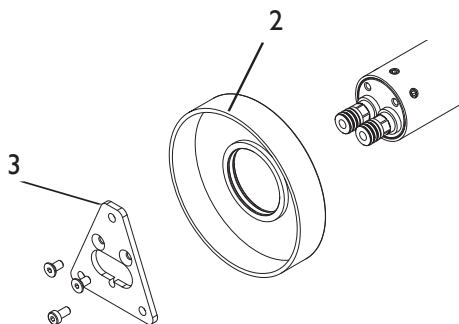
- 3 Drill the embedding floor and place the supplied dowels for base fixing. Check that the base is perfectly on line, helping with a bubble level. Tighten the supplied screw to set the base to the floor.



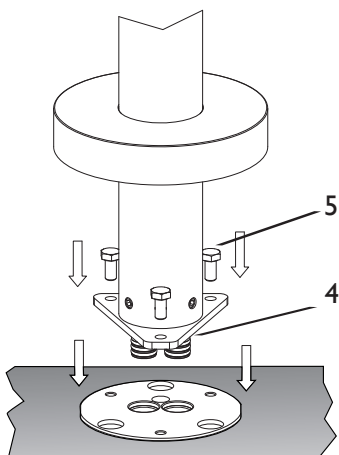
4 The concealed base water connections can now tested for leaks before removing the two plugs (5) turn water supply off before moving onto to next step.



5 Install the plate (2) on the lower part of the pillar and fix the flange (3) using the screws provided and slide down the plate until it reaches the floor.



6 Place the mixer over the concealed base. Be sure that both pipes (4) are correctly placed in the base; slide down the plate until it reaches the floor, fix the screws (5). Once the water supply is on, the connections should be tested for leaks before the floor finishing is completed.



Installation Completed.

