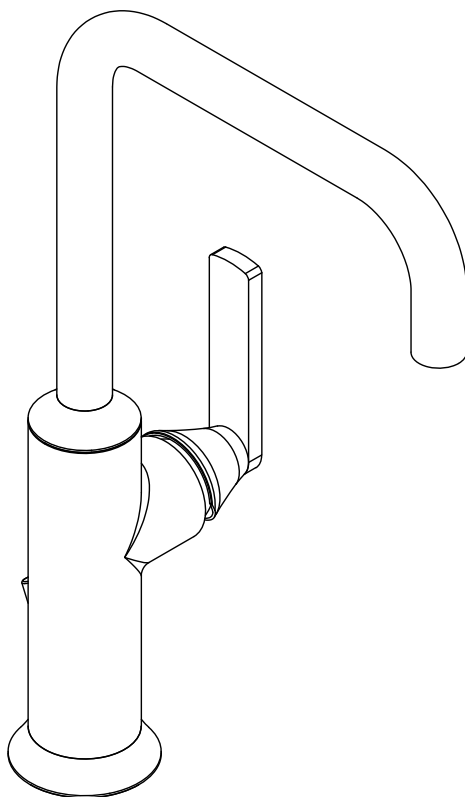


BAGNODESIGN

EXPERTLY CRAFTED BATHROOMS

Installation Guide



BDM-BIS-311SL-XX

BRISTOL MONO SMOOTH BODIED BASIN MIXER

A member of **SANIPEXGROUP**
www.sanipexgroup.com

IMPORTANT PLEASE READ

All products manufactured and supplied by BAGNODESIGN are fit for purpose as long as they are installed, used correctly, cleaned and receive regular maintenance in accordance with these instructions...

Remove all packaging and check the product for damage or missing parts before commencing with the installation.

Any alterations made to this product and its components may infringe product certification, infringe water regulations and invalidate the guarantee. The Installation must comply with all local/national water supply authority regulations/bylaws and building and plumbing regulations, therefore we strongly recommend that your product be installed by a reputable qualified trade's person.

PRODUCT LIFECYCLE

"The product LiveCyclele is the collective stages that a product goes through from its conception and design through to its ultimate disposal."

DISPOSAL GUIDANCE

The best way to ensure your Product has a long life is to follow the Care and Maintenance guides set by the Manufacture after purchase. This document can be found at www.sanipexgroup.com.

The life cycle of the product is not in correlation to the product Guarantee; the standards the products are manufactured or certified to (e.g. CE & WRAS) can exceed past the Guarantee duration. After the life cycle of the product is deemed complete by the end-user please follow the below to dispose of the items correctly...

Mixers (Taps):

If the mixers are no longer accepted due to mechanical use or aesthetic style, these can be disposed of at a registered Local Authority waste recycling center where the individual components can be sorted.

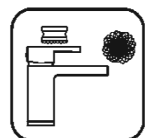
CLEANING CARE GUIDE

Only use a mild soap and water for cleaning.
Rinse with water to remove the mild soap solution.
We recommend the product is dried using a soft cloth after every use.

Never use any abrasive or strong cleaning products containing, bleaches, acids (hydrochloric, formic, phosphorus, chlorine or acetic), strong detergents, limescale remover, alcohol or dyes etc.

Never use abrasive cleaning pads, wire wool or microfibre cloths.
Never use cleaning equipment that may have been pre-used and contaminated with the above substances.

Never apply the cleaning product directly onto the finished surface.



Before doing any operation, ensure that the water supply is off.

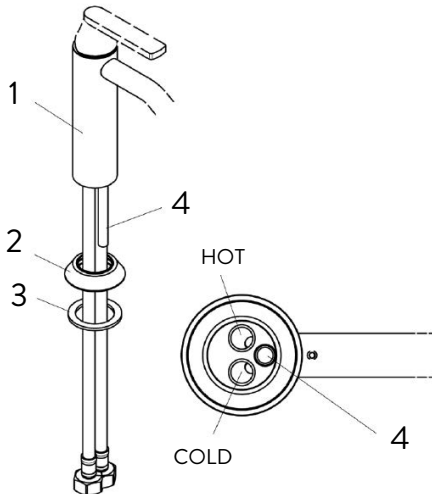
Insert the hot and cold flexible tubes and the threaded rod (4) into the body of the mixer (1). Place the base (2) and the surface washer (3) at the bottom of the mixer (1) and place the assembly onto the basin ensuring that the washer is in place. From the underside, place the o-ring (5) followed by the metal washer (6) onto the threaded rod, then tighten to clamp the mixer to the basin with the back nut (7), being careful not to over tighten.

For taps with waste: install the waste ensuring that the foam washer is in between the top of the waste and the inner part of the basin; the rubber washer is to be placed under the basin before the waste is tightened up; take care not to over tighten; insert the vertical pop up rod (8) into the mixer and connect to the horizontal rod on the waste body using the connector provided.

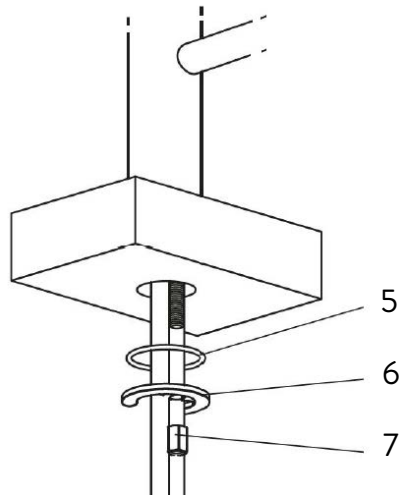
Install the flexible pipes to the water supply and test leaks on the connections*

* Before making any inlet pipe connection, all supply pipes **MUST** be thoroughly flushed to remove debris. Failure to do this could result in damage to the cartridge and components or low flow from the mixer.

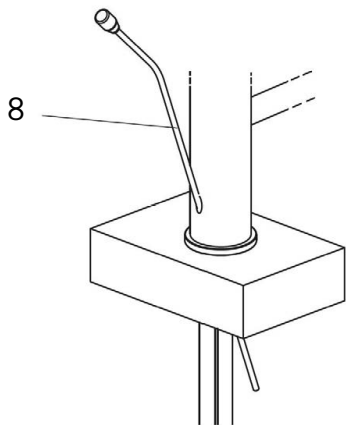
1



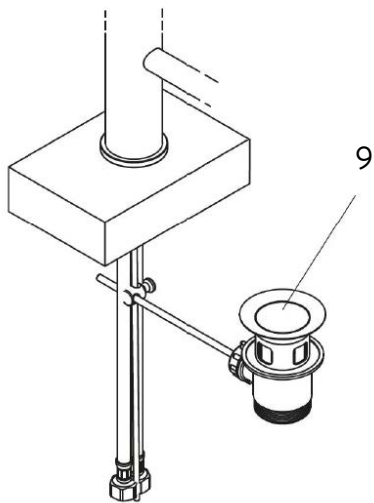
2



3



4



BAGNODESIGN

EXPERTLY CRAFTED BATHROOMS

A member of SANIPEXGROUP
www.sanipexgroup.com