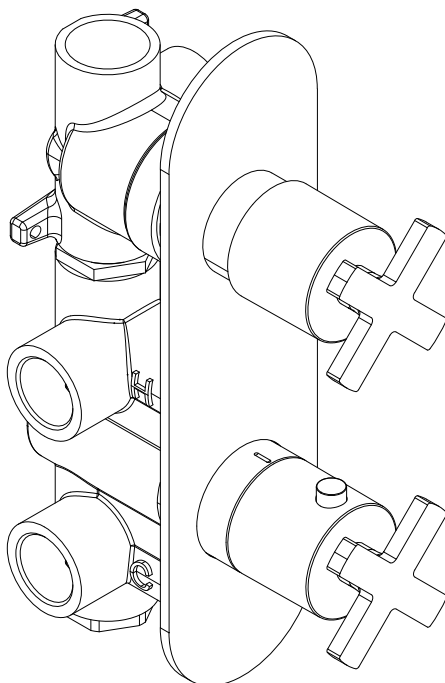


BAGNODESIGN

EXPERTLY CRAFTED BATHROOMS

Installation Guide



BDM-BIS-T302VX-XX

BRISTOL THERMOSTATIC SHOWER MIXER 2 OUTLET (CROSS HANDLE)

A member of **SANIPEXGROUP**
www.sanipexgroup.com

IMPORTANT PLEASE READ

All products manufactured and supplied by BAGNODESIGN are fit for purpose as long as they are Installed, used correctly, cleaned and receive regular maintenance in accordance with these instructions...

Remove all packaging and check the product for damage or missing parts before commencing with the installation.

Any alterations made to this product and its components may infringe product certification, infringe water regulations and invalidate the guarantee. The Installation must comply with all local/national water supply authority regulations/bylaws and building and plumbing regulations, therefore we strongly recommend that your product be installed by a reputable qualified trade's person.

PRODUCT LIFECYCLE

"The product LiveCyclele is the collective stages that a product goes through from its conception and design through to its ultimate disposal."

DISPOSAL GUIDANCE

The best way to ensure your Product has a long life is to follow the Care and Maintenance guides set by the Manufacture after purchase. This document can be found at www.sanipexgroup.com.

The life cycle of the product is not in correlation to the product Guarantee; the standards the products are manufactured or certified to (e.g. CE & WRAS) can exceed past the Guarantee duration. After the life cycle of the product is deemed complete by the end-user please follow the below to dispose of the items correctly...

Mixers (Taps):

If the mixers are no longer accepted due to mechanical use or aesthetic style, these can be disposed of at a registered Local Authority waste recycling center where the individual components can be sorted.

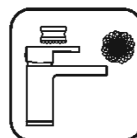
CLEANING CARE GUIDE

Only use a mild soap and water for cleaning.
Rinse with water to remove the mild soap solution.
We recommend the product is dried using a soft cloth after every use.

Never use any abrasive or strong cleaning products containing, bleaches, acids (hydrochloric, formic, phosphorus, chlorine or acetic), strong detergents, limescale remover, alcohol or dyes etc.

Never use abrasive cleaning pads, wire wool or microfibre cloths.
Never use cleaning equipment that may have been pre-used and contaminated with the above substances.

Never apply the cleaning product directly onto the finished surface.



GENERAL CHARACTERISTICS

The valve is suitable for all water heating systems provided it is installed correctly by a competent and qualified installer. Please refer to installation diagrams. In the case of instantaneous heaters, hot water flow has to at least meet the minimum flow required by heater and maintain burning.
(Specified by heater manufacture)

OPERATING SPECIFICATIONS

Hot water supply temperature:

Maximum: 85°C

Minimum: 5°C Higher than maximum required mixed temperature.
Advisable 65°C

Minimum difference between hot and mixed temperature is 10°C

Operating Pressure

Maximum: 5 Bar

Minimum: 0.1 Bar

Hot and Cold operating pressure should be kept as balanced as possible in order to maintain maximum efficiency.

When the supply pressure is higher than a 5 Bar a pressure reducing valve should be fitted before the shower valve.

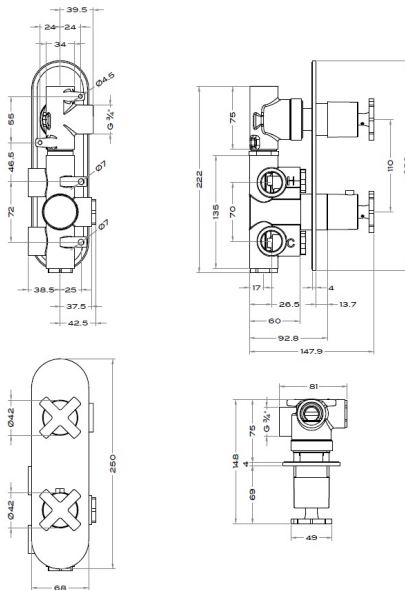
TECHNICAL DATA

The mixer is supplied with a cover plate for installation depth from 65mm to 85mm. The temperature control knob is presented at 38°C with auto stop at 43°C to avoid scalding.

The valve is provided with an additional outlet at base of the valve (for bath filler). When using the bottom outlet a flow control is required. Fit a stop valve between valve outlet and delivery point. The bottom outlet is sealed with a removable plug.

PLUMBING RECOMMENDATIONS

- An independent hot and cold water supply is required for the shower system please refer to installation diagrams.
- Large runs of pipe work will cause frictional loss of pressure.
- The recommended pipe work from both cylinder and water tank should be 22mm minimum.
- If more than one shower valve is installed the minimum feed from tank and cylinder should be 28mm. (Ensure adequate supply of both hot and cold water can be maintained).



FITTING COVER PLATE

- Remove the protection from the mixer.
- Place the seal sponge to the plate.
- Push chrome cover plate over the body valve.
- When in position, fit chromed adapter against cover plate and fit the adapters and cross handles and secure with screws.
- Check that temperature is at 38°C before shower is used.
- Fit the caps on the handles.

CARTRIDGE CHANGE AND CLEANING

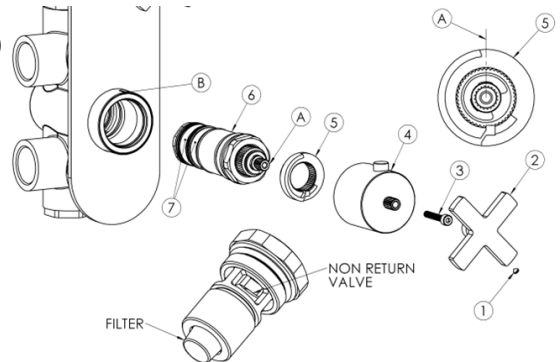
Through years of use impurities and lime scale could restrict flow of water through the filters of the cartridge.

To clean it follow the instruction hereunder.

- Shut off water supply to both inlets.
- Unscrew the grub screw(1) and remove the cross handle(2).
- Unscrew the screw(3), remove the thermostatic handle(4) and the stop ring(5).
- Unscrew cartridge (6) using 30 mm spanner. Wash filters (7) under running water or leave to soak in vinegar or de-scaling agent.
- Before re-assembling cartridge (6) clean its housing with wet cloth and grease "O" rings on cartridge.
- Re-assembling cartridge (6) into body.
- Re-fit plastic stop ring (5) according to the drawing, turn spindle (A) until you reach required temperature 38°C.
- Re-fit the thermostatic handle(4) with the screw(3).
- Re-fit the cross handle(2) and fix it with grub screw(1)
- Test that mix temperature is set at 38°C.

Serving & Maint. Integrael Stop Check Valves with closure

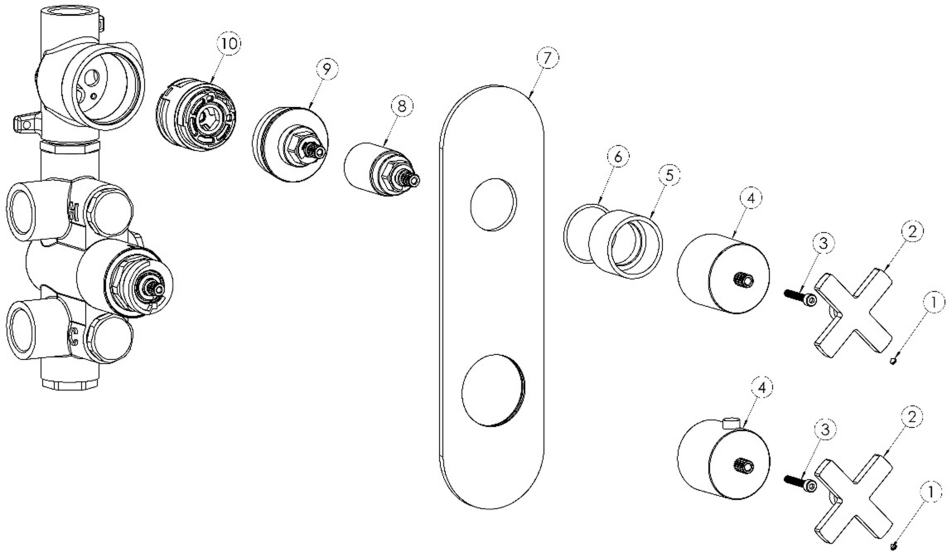
Rotating the 2 screws on the stop/checks (for 5 turns clockwise) will shut off the water to the cartridge for service and maintenance. If you are experiencing a reduction of water flow to the mixer, you may have an obstruction of debris in the check valve or in the strainer at the bottom. Shut off the water for both the hot and cold at the main inlet; unscrew the check valve assembly with a 27mm wrench. Clear the strainer and the check valve of any debris and replace back into the inlets. Attention: crew the check valve exerting a max torque less than 8-10 Nm or 70-90.



MAINTENANCE – DIVERTER CARTRIDGE CHANGE

To remove the diverter cartridge

- Shut off water supply to both inlets.
- Unscrew the grub screw(1) and remove the cross handle(2).
- Unscrew the screw(3), and remove the handle(4).
- Unscrew the adapter (5), attention not to lose the “O”-ring (6).
- Remove the cover plate(7).
- Unscrew the element (8) using 17mm spanner.
- Unscrew flange (9) using 17mm spanner.
- Remove the diverter cartridge (10).
- Before re-assembling cartridge clean its housing with wet cloth and grease “O” rings on cartridge.
- Place the cartridge(10), inserting the two pivots into the corresponding seats.
- Re-fit flange(9), re-assemble the element(8).
- Re-fit the cover plate (7).
- Screw the adapter (5) with “O”-ring (6).
- Re-fit the handle (4) and fix it with the screws (3)
- Re-fit the cross handles(3) and secure it with the grub screws(1)



IMPORTANT – CARE OF YOUR PRODUCT CLEANING

After use all finishes should be maintained by wiping with a soft, damp, clean cloth and then polished using a dry duster. NO abrasive powder, detergents or polishes should be used. Cleaner containing alcohol, acid or corrosive chemicals should not be used.

NOTE

- Some household bleaches and denture cleaners can damage plated or coloured finishes and if splashed onto a fitting should be immediately washed off with cold water.
- If these instructions are followed we believe this fitting will give many years of satisfactory use.
- We have a policy of continuous improvement and reserve the right to change specification without notice.
- In case of prolonged disuse of the mixer in winter time, it is recommended to close the system and empty the mixer to avoid damages caused by frost.

BAGNODESIGN

EXPERTLY CRAFTED BATHROOMS

A member of SANIPEXGROUP
www.sanipexgroup.com