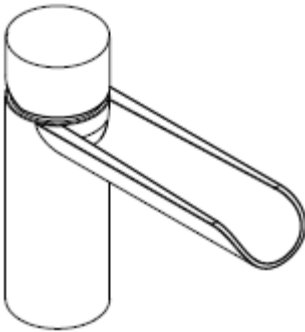


# BAGNODESIGN

EXPERTLY CRAFTED BATHROOMS

---

## General Installation Guide



## CASCADE

mono/tall basin/- 1&2 hole concealed  
basin mixer- concealed shower mixers

A member of  SANIPEXGROUP

Please leave these instructions with the customer



## IMPORTANT PLEASE READ

Remove all packaging and check the product for missing parts or damage before starting installation.

Any alterations made to this product and fittings may infringe water regulations and invalidate the guarantee.

The Installation must comply with all Local/National Water Supply Authority Regulations/Byelaws and Building and Plumbing Regulations.

We strongly recommend that your product be installed by a reputable qualified trade's person.

### **General Installation:**

To the Installer, please read and follow this instruction carefully, as the guarantee is only valid if the product is installed as directed.

Don't rush, read the instructions first and run through them before you begin. Keep fittings together to avoid loss. Do not over tighten screws or bolts.

If the product is covered with polyethylene protective film, do not remove until installation is complete to grant maximum protection. However, remove film where any two surfaces will be in permanent contact.

Before making any inlet pipe connections, all supply pipes **MUST** be thoroughly flushed to remove debris.

The fitting of an in-line filter is recommended, Failure to do this could result in damage to the cartridge and components or low flow from the mixer.

The fitting of isolation/stop valves on the inlet feeds is advised for ease of maintenance.

Please leave this installation manual with the end user once the product has been installed.

### **Product Aftercare:**

We recommend cleaning with a soft damp cloth and mild soap solution. Do not use cream cleaners or cleaners containing bleach.

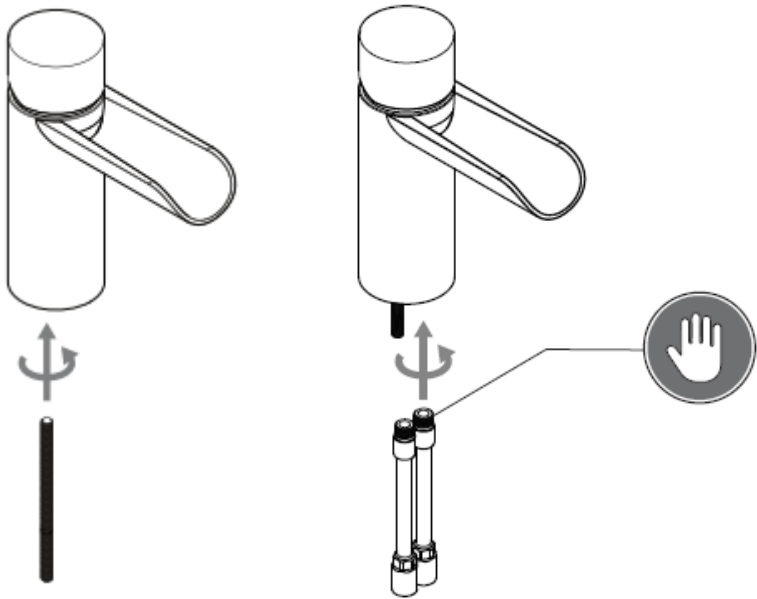
Do not scrub or scour.

Do not use abrasive cleaning agents.

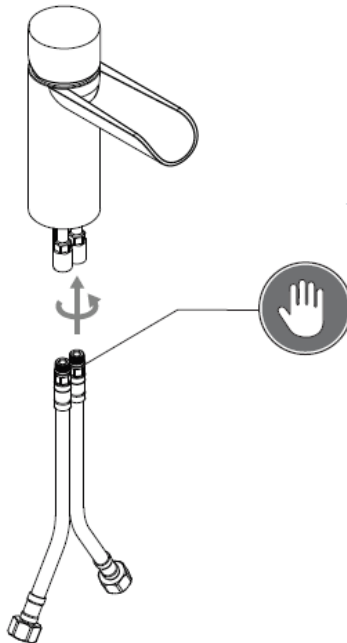
Do not use solvent based cleaners.

*This installation guide is for reference only. In case there is a discrepancy between that of the instructions and that of the actual product, the latter should be taken as standard. The rights of modification are reserved.*

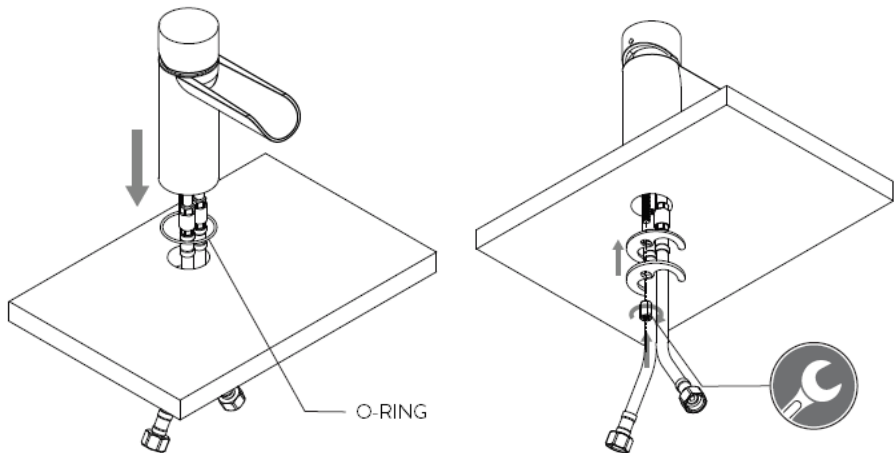
## Mono Basin/Bidet Mixer



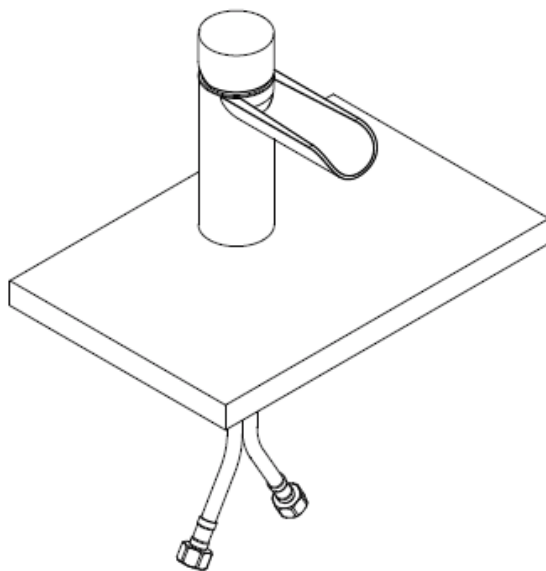
Screw the threaded rod into the hole at the bottom of the mixer body.  
Screw the rigid pipes into the water inlet at the bottom of the mixer body.



Connect the flexible hoses to the rigid pipes.



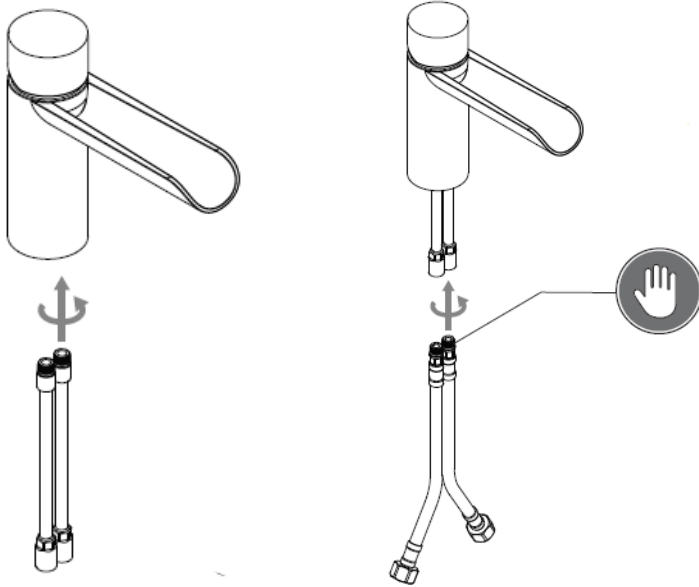
Insert the mixer into the basin hole, be sure that the O-ring at the bottom of the mixer assembly remains in place. While holding the mixer in place, slide in the rubber gasket and the metal washer of the fixing kit. Then screw the nut on the threaded rod and fix it using a wrench, being careful not to over tighten.



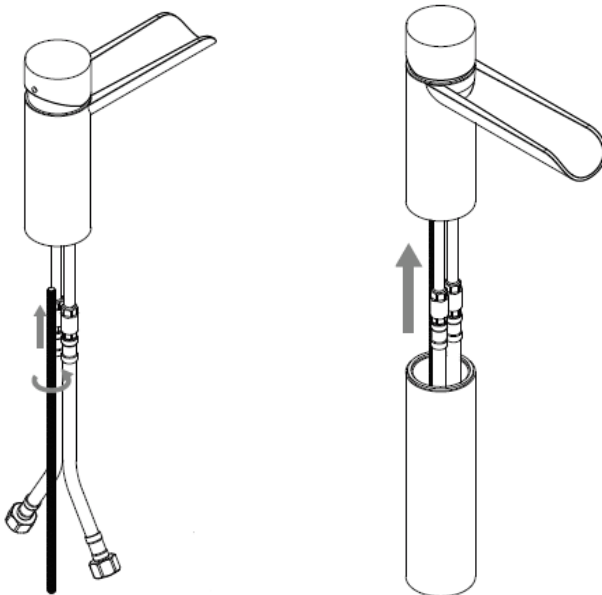
Install the flexible pipes, Open the water supplies and test for leaks on the connections.

**\* Before making any inlet pipe connections, all supply pipes MUST be thoroughly flushed to remove debris. Failure to do this could result in damage to the cartridge and components or low flow from the mixer\***

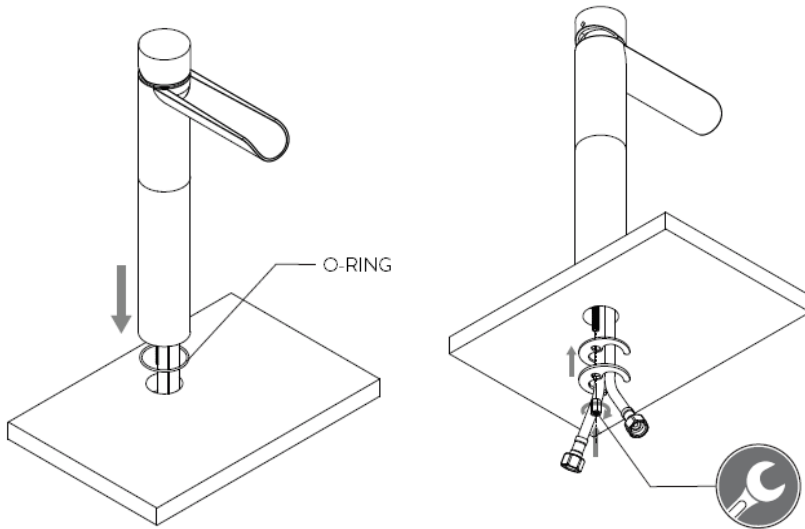
## Mono Tall Basin Mixer



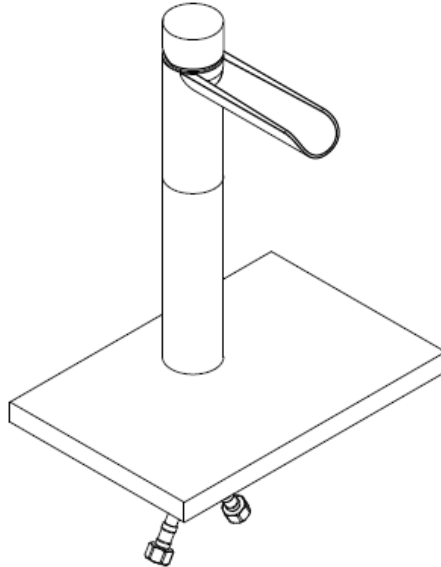
Screw the rigid pipes into the water inlet at the bottom of the mixer body.  
Connect the flexible hoses to the rigid pipes.



Screw the threaded rod into the hole at the bottom of the mixer body, slide the extension pipe over the flexible hoses and the threaded rod up to the mixer body.



Insert the mixer into the basin hole, be sure that the O-ring at the bottom of the mixer assembly remains in place. While holding the mixer in place, slide in the rubber gasket and the metal washer of the fixing kit. Then screw the nut on the threaded rod and fix it using a wrench, being careful not to over tighten.

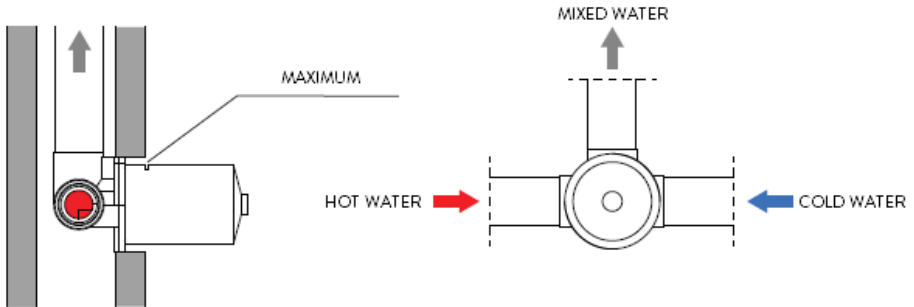


Install the flexible pipes, Open the water supplies and test for leaks on the connections.

**\* Before making any inlet pipe connections, all supply pipes MUST be thoroughly flushed to remove debris. Failure to do this could result in damage to the cartridge and components or low flow from the mixer\***

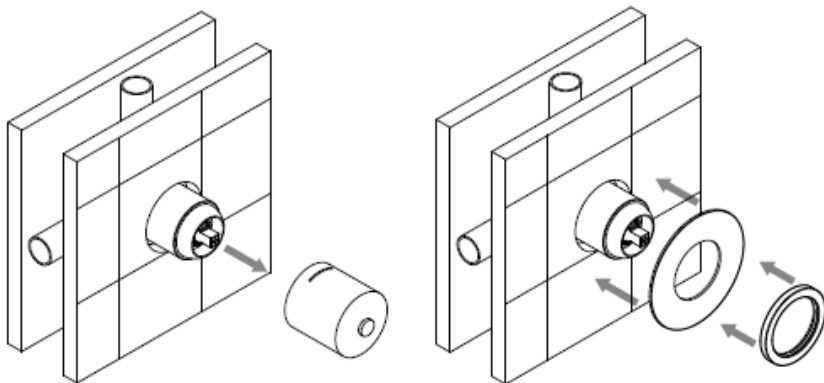
## 1&2-Hole Concealed Basin Mixer

*For the 1-hole basin mixer, set the depth as per the below for the valve, the spout outlet is at a pre-set distance.*



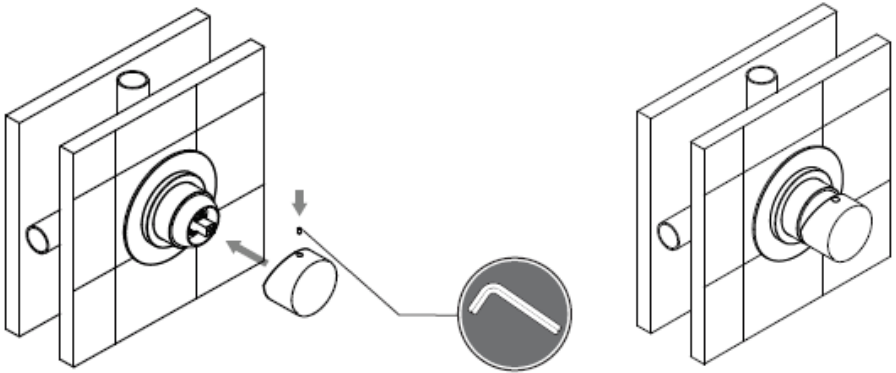
Install the mixer housing at a depth so that the finished surface is no further than the maximum distance marking shown in the diagram.

Install the mixed water outlet pipework (not supplied) and terminate it with a ½" female threaded fitting, the fitting should finish 0-10mm in-ward from the finished wall surface.

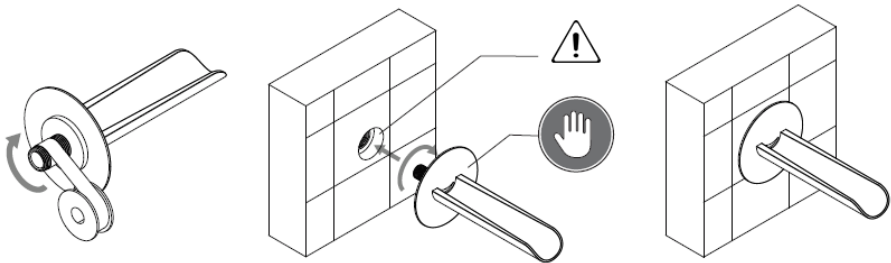


Pull out the protection cap or the Styrofoam box, slide the plate over the body and to prevent any rotation, fix it to the wall using a small dab of silicon. Then slide the fixing ring over the body as well and secure tight against the wall.





Insert the handle on to the cartridge, then fasten with the grub screw (hex key 2,5mm). Insert the cap into the handle hole.



Dry fit the spout by installing it into the mixed water outlet, count the turns until the spout fits perfectly straight and true and that the face plate fits tightly against the wall.

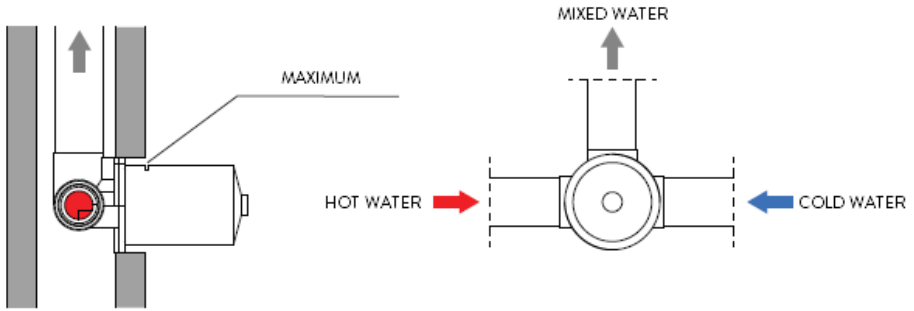
Wrap the threaded end of the spout assembly using Teflon thread seal tape or hemp.

Re-install the spout remembering the number of turns.

Open the water supplies and test for leaks on the connections.

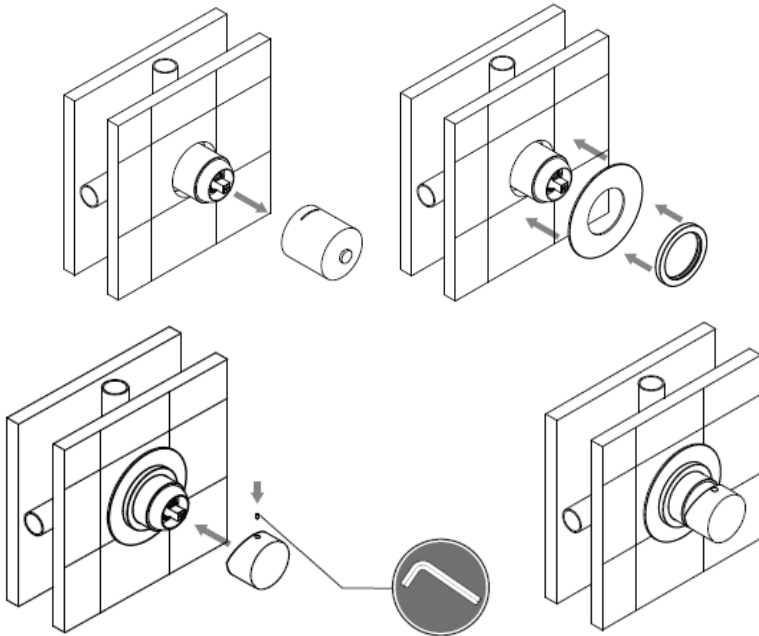
**\* Before making any inlet pipe connections, all supply pipes MUST be thoroughly flushed to remove debris. Failure to do this could result in damage to the cartridge and components or low flow from the mixer\***

## Concealed Shower Mixer



Install the mixer housing at a depth so that the finished surface is no further than the maximum distance marking shown in the diagram.

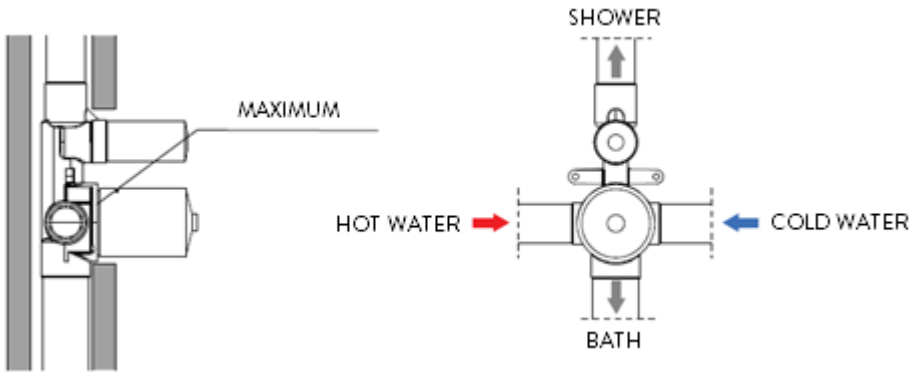
Connect the Hot and Cold water supplies to the mixer, then install the mixed water supply, cap off and pressure test to prevent any future leakage\*



Pull out the protection cap or the Styrofoam box, slide the plate over the body and to prevent any rotation, fix it to the wall using a small dab of silicon. Then slide the fixing ring over the body as well and secure tight against the wall. Insert the handle on to the cartridge, then fasten with the grub screw (hex key 2,5mm). Insert the cap into the handle hole.

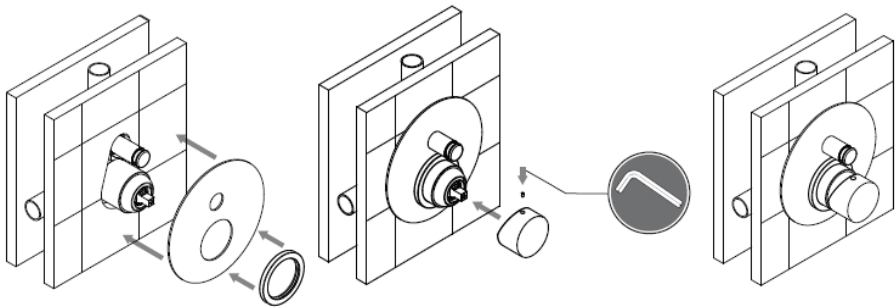
**\* Before making any inlet pipe connections, all supply pipes MUST be thoroughly flushed to remove debris. Failure to do this could result in damage to the cartridge and components or low flow from the mixer\***

## Concealed Shower Mixer with Diverter



Install the mixer housing at a depth so that the finished surface is no further than the maximum distance marking shown in the diagram.

Connect the Hot and Cold water supplies to the mixer, then install the mixed and diverted water supplies, cap off and pressure test to prevent any future leakage\*



Pull out the protection cap or the Styrofoam box, slide the plate over the body and to prevent any rotation, fix it to the wall using a small dab of silicon. Then slide the fixing ring over the body as well and secure tight against the wall. Insert the handle on to the cartridge, then fasten with the grub screw (hex key 2,5mm). Insert the cap into the handle hole.

**\* Before making any inlet pipe connections, all supply pipes MUST be thoroughly flushed to remove debris. Failure to do this could result in damage to the cartridge and components or low flow from the mixer\***

