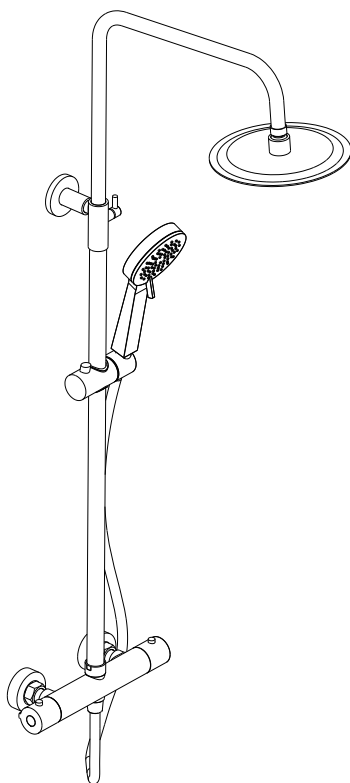


AQUAZONE

THE PROFESSIONALS CHOICE

Installation Guide



AQM-CND-T514-XX

CONRAD THERMOSTATIC MIXER WITH SHOWER COLUMN SET

A member of **SANIPEXGROUP**
www.sanipexgroup.com

IMPORTANT PLEASE READ

All products manufactured and supplied by AQUAZONE are fit for purpose as long as they are Installed, used correctly, cleaned and receive regular maintenance in accordance with these instructions...

Remove all packaging and check the product for damage or missing parts before commencing with the installation.

Any alterations made to this product and its components may infringe product certification, infringe water regulations and invalidate the guarantee. The Installation must comply with all local/national water supply authority regulations/byelaws and building and plumbing regulations, therefore we strongly recommend that your product be installed by a reputable qualified trade's person.

PRODUCT LIFECYCLE

“The product lifecycle is the collective stages that a product goes through from its conception and design through to its ultimate disposal.”

DISPOSAL GUIDANCE

The best way to ensure your Product has a long life is to follow the Care and Maintenance guides set by the Manufacture after purchase. This document can be found at www.aquazone.ae.

The lifecycle of the product is not in correlation to the product Guarantee; the standards the products are manufactured or certified to (e.g. CE & WRAS) can exceed past the Guarantee duration. After the lifecycle of the product is deemed complete by the end-user please follow the below to dispose of the items correctly...

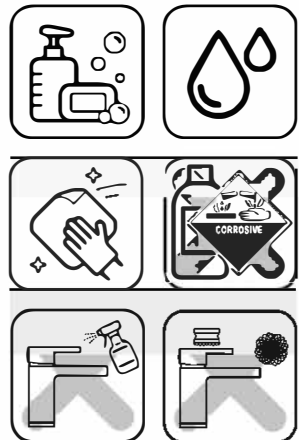
Mixers (Taps):

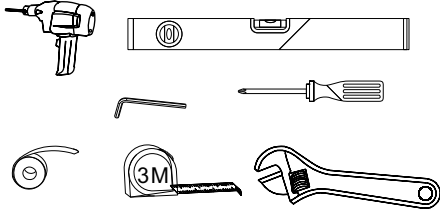
If the mixers are no longer accepted due to mechanical use or aesthetic style, these can be disposed of at a registered Local Authority waste recycling centre where the individual components can be sorted.

CLEANING CARE GUIDE

Only use a mild soap and water for cleaning.
Rinse with water to remove the mild soap solution.
We recommend the product is dried using a soft cloth after every use.

Never use any abrasive or strong cleaning products containing, bleaches, acids (hydrochloric, formic, phosphorus, chlorine or acetic), strong detergents, limescale remover, alcohol or dyes etc.
Never use abrasive cleaning pads, wire wool or microfibre cloths.
Never use cleaning equipment that may have been pre-used and contaminated with the above substances.
Never apply the cleaning product directly onto the finished surface.

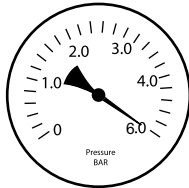
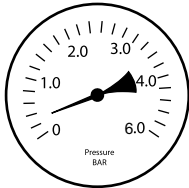




Specifications

Dynamic Water Pressure

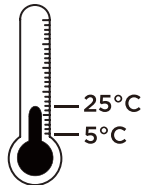
Min: 0.2 bar Max: 6.0 bar



Maximum Static Pressure: 10.0 bar

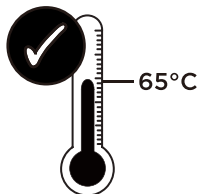
Inlet Water Temperature

Cold Water Supply



Min: 5°C Max: 25°C

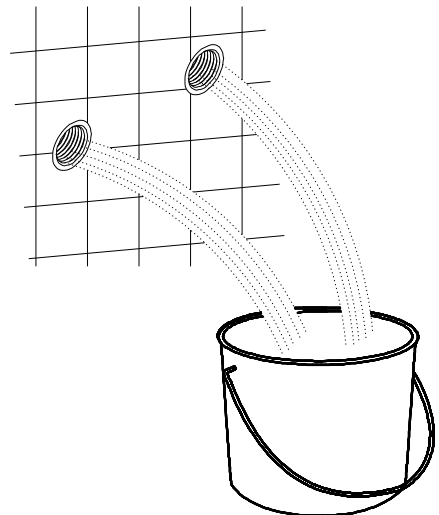
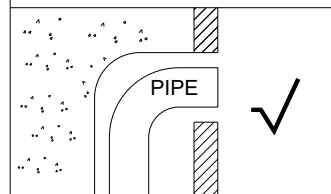
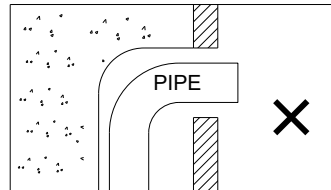
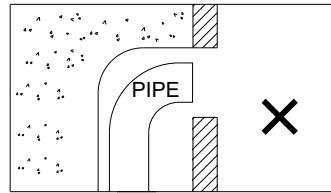
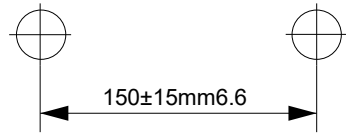
Hot Water Supply



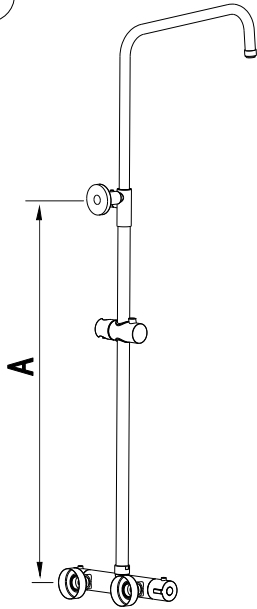
65°C Recommended

! IMPORTANT

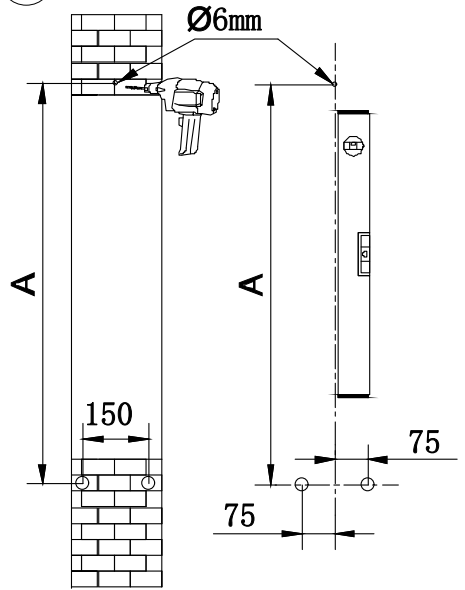
The inlet hot water must be at least 10°C above the required blend temperature.



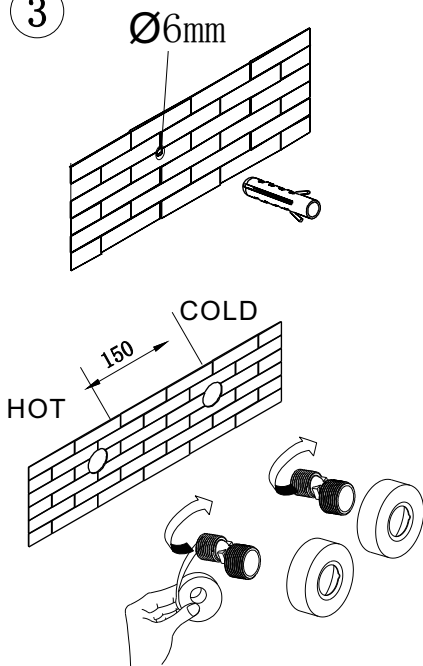
1



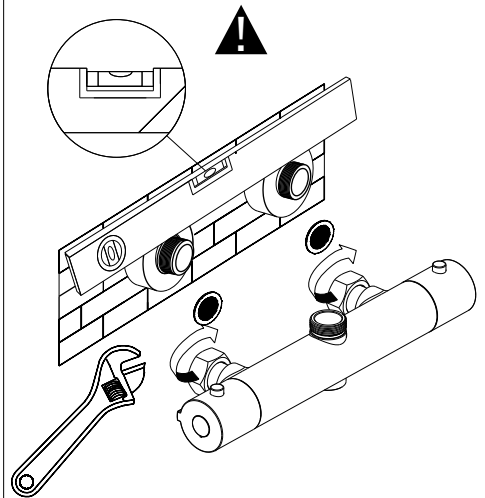
2



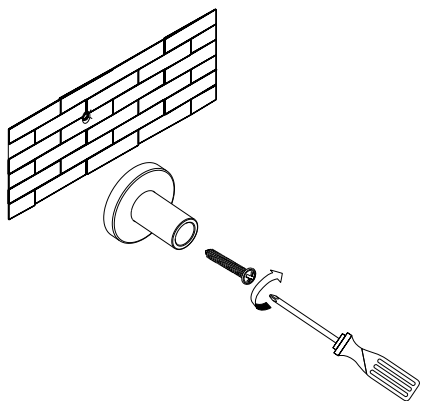
3



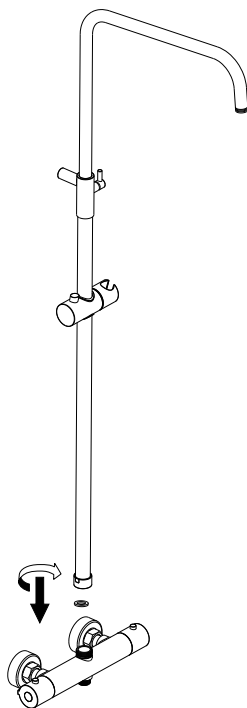
4



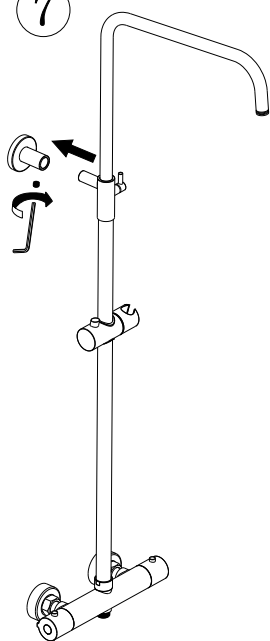
5



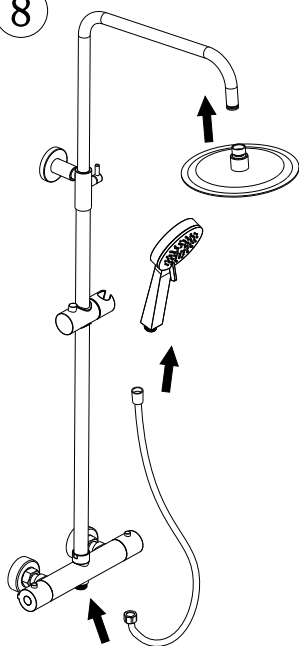
6



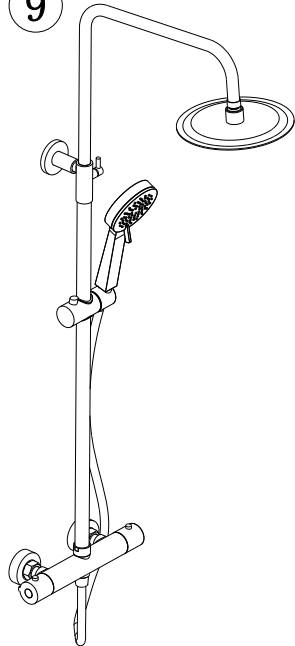
7



8

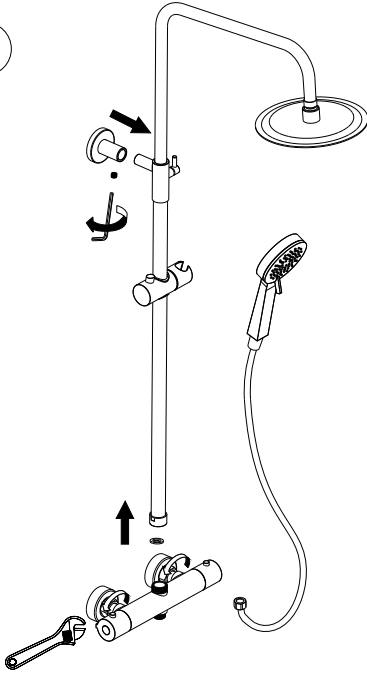


9

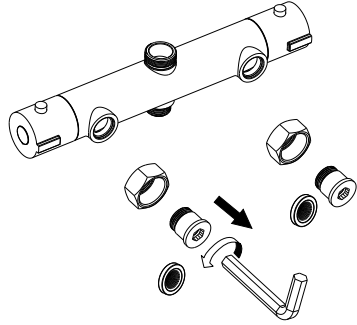


Maintenance-Cleaning check valve & mesh filter

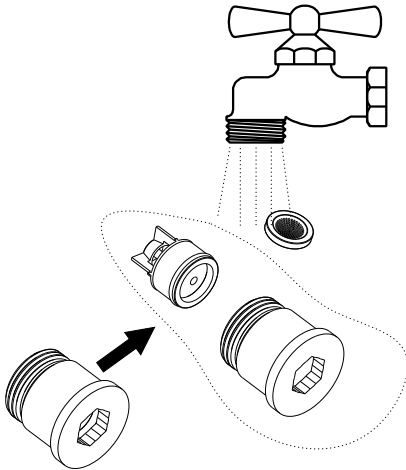
1



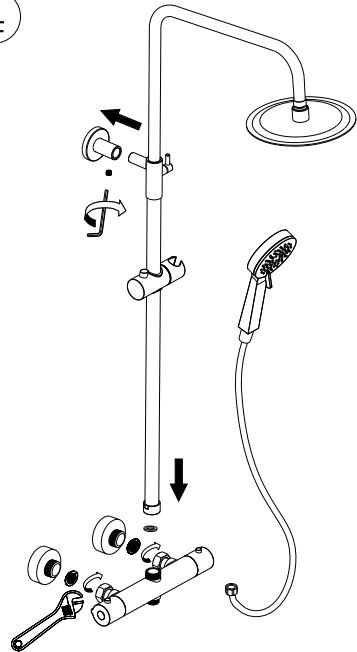
2



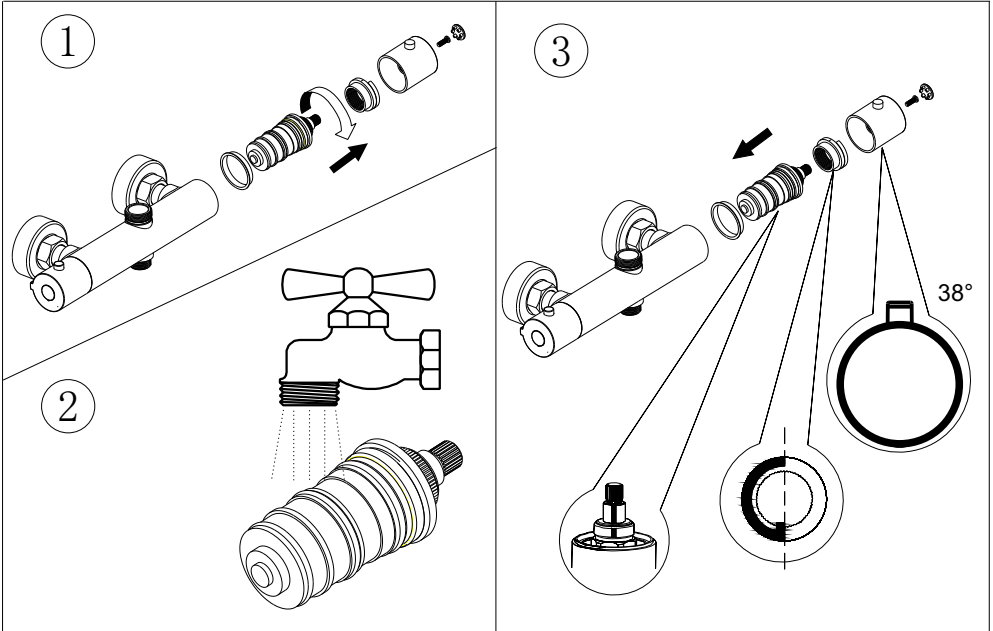
3



4



Maintenance-Cleaning Thermostatic Cartridge



TECHNICAL DATA

1. Standard Pressure: Dynamic water pressure $0.3 \pm 0.02 \text{ Mpa}$.
2. Cold Supply Temperature: $4-29^\circ\text{C}$;
Hot Supply Temperature: $55-58^\circ\text{C}$;
3. Thermostatic Temperature Range: $20-50^\circ\text{C}$.
4. Pre-set Temperature: 38°C .
5. Safety Mechanism: The mixed water will be immediately cut off when the cold supply is not effective.
6. Precise Temperature: It takes approximately 5 seconds to achieve the desired temperature. The actual working temperature will be within $\pm 2^\circ\text{C}$ of the temperature.
7. Temperature Stability: The outlet temperature variation will be within $\pm 2^\circ\text{C}$ when the inlet temperature is stable and the hot and cold pressure varies by 50%. The outlet temperature variation will be within $\pm 2^\circ\text{C}$ when the inlet pressure is stable and the hot supply temperature increases from 60°C to 75°C ($5^\circ\text{C}/\text{min}$).

Cleaning All surfaces should be cleaned using a clean damp cloth. No abrasive cleaning agents or materials should be used.

AQUAZONE

THE PROFESSIONALS CHOICE

Oakwell Way, Birstall
Leeds, England WF9 17LU

A member of **SANIPEXGROUP**
www.sanipexgroup.com