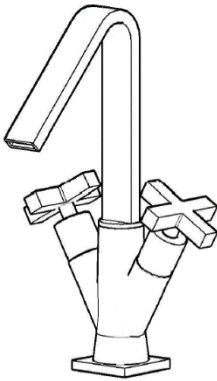


BAGNODESIGN

EXPERTLY CRAFTED BATHROOMS

General Installation Guide



CORSAIR

mono/tall basin/bidet mixers – 3-hole basin
mixers – 3-hole concealed basin mixer -
5-hole deck mounted bath mixer -
concealed shower mixers

A member of  SANIPEXGROUP

Please leave these instructions with the customer

IMPORTANT PLEASE READ

Remove all packaging and check the product for missing parts or damage before starting installation.

Any alterations made to this product and fittings may infringe water regulations and invalidate the guarantee.

The Installation must comply with all Local/National Water Supply Authority Regulations/Byelaws and Building and Plumbing Regulations.

We strongly recommend that your product be installed by a reputable qualified trade's person.

General Installation:

To the Installer, please read and follow this instruction carefully, as the guarantee is only valid if the product is installed as directed.

Don't rush, read the instructions first and run through them before you begin. Keep fittings together to avoid loss. Do not over tighten screws or bolts.

If the product is covered with polyethylene protective film, do not remove until installation is complete to grant maximum protection. However, remove film where any two surfaces will be in permanent contact.

Before making any inlet pipe connections, all supply pipes **MUST** be thoroughly flushed to remove debris.

The fitting of an in-line filter is recommended, Failure to do this could result in damage to the cartridge and components or low flow from the mixer.

The fitting of isolation/stop valves on the inlet feeds is advised for ease of maintenance.

Please leave this installation manual with the end user once the product has been installed.

Product Aftercare:

We recommend cleaning with a soft damp cloth and mild soap solution. Do not use cream cleaners or cleaners containing bleach.

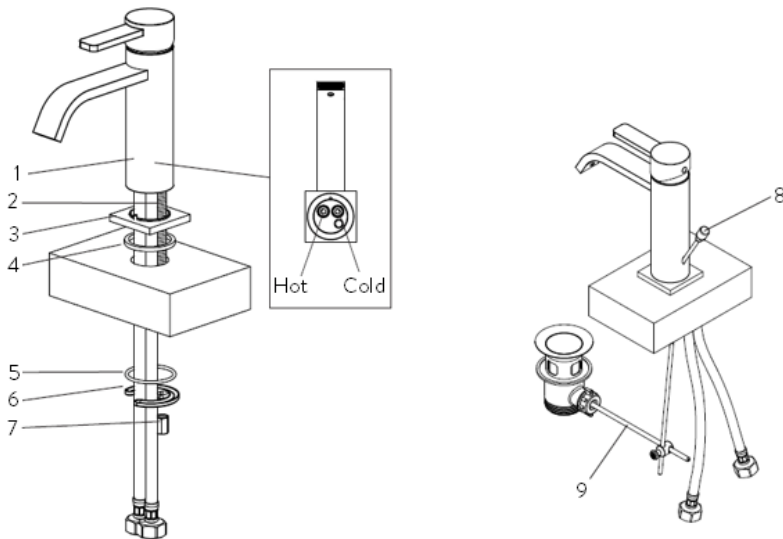
Do not scrub or scour.

Do not use abrasive cleaning agents.

Do not use solvent based cleaners.

This installation guide is for reference only. In case there is a discrepancy between that of the instructions and that of the actual product, the latter should be taken as standard. The rights of modification are reserved.

Mono/Tall Basin/Bidet Mixers



Assemble the parts as per the diagram.

Ensure that the mains water supply is turned off before installation.

Insert the Hot & Cold flexible pipes and threaded rod (2) into the body of the mixer (1). Position the base ring (3) and the surface washer (4) onto the bottom of the mixer (1) and place the assembly onto the basin/counter ensuring that the washer is in between the surface and the mixer.

From the underside, place the 'O' ring (5) followed by the metal washer (6) onto the threaded rod (2), then tighten to clamp the mixer to the basin/counter with the back nut (7), being careful not to over tighten.

Install the waste ensuring that the foam washer is in between the waste and basin on the top portion of the waste, the rubber washer is to be placed under the basin before the bottom part of the waste is tightened up. Take care not to over tighten.

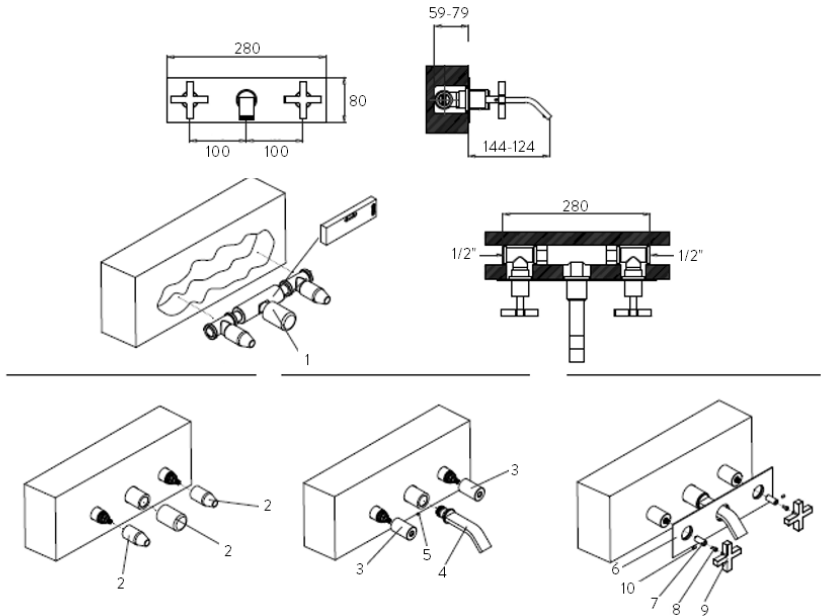
Insert the vertical pop up rod (8) into the mixer body and connect to the horizontal rod (9) on the waste body using the connector provided.

Slide down push rod into rod link then push both roads down to the furthest point and tighten.

Install the flexible pipes, open the water supplies and test for leaks on the connections.

*** Before making any inlet pipe connections, all supply pipes MUST be thoroughly flushed to remove debris. Failure to do this could result in damage to the cartridge and components or low flow from the mixer***

Concealed Mixer



Assemble the parts as per the diagram.

Ensure that the mains water supply is turned off before installation.

Install the mixer housing (1) at a depth so that the finished surface is between the Min/Max distance markings shown in the diagram. Connect the Hot and Cold water supplies to the mixer and cap off the outlet connection, pressure test to check for leaks at the connections*.

Remove the cap and place on the protection covers (2).

Once the surrounding finishes have been applied (Tiles/Marble etc.) remove the protection covers (2) and discard.

Screw on the shrouds (3) until secure against the wall surface. Push the spout (4) into place and secure the using the grub screw (5).

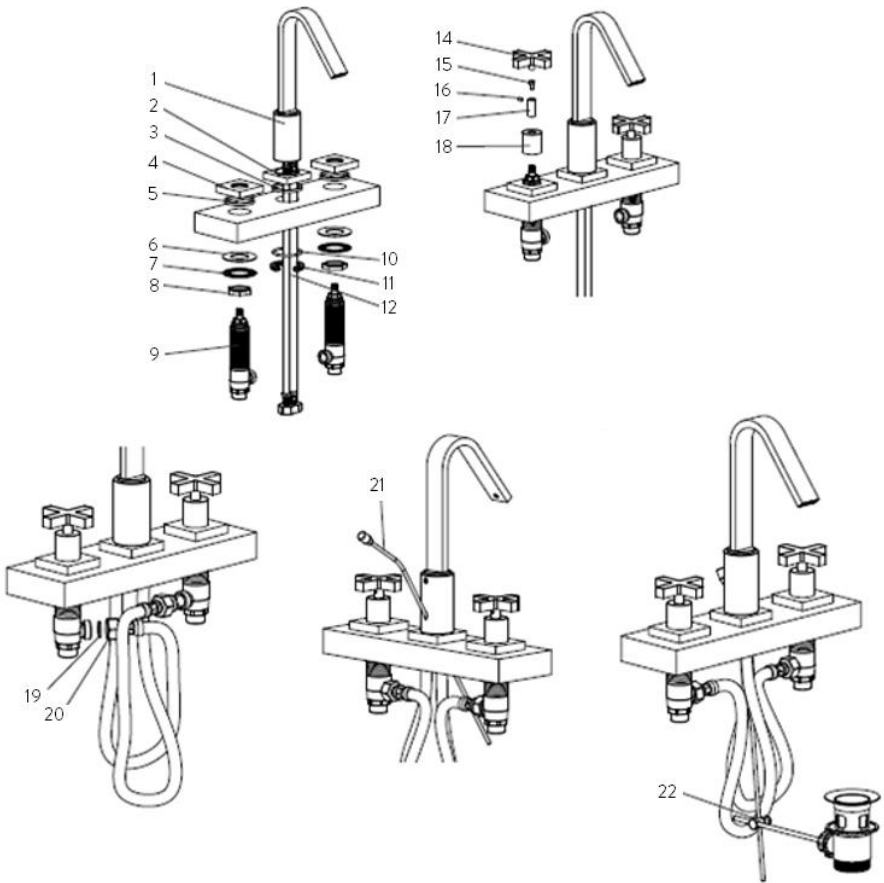
Fit the face plate (6) onto the mixer body, it is advised to use a small amount of lubricant on the rubber seals.

Place the spindle extension (7) onto the cartridge pin and secure with screw (8) Then place handle (19) onto the spindle and secure with grub screw (10) Repeat for other valve.

Open the water supplies and re-test for leaks.

*** Before making any inlet pipe connections, all supply pipes MUST be thoroughly flushed to remove debris. Failure to do this could result in damage to the cartridge and components or low flow from the mixer***

3-Hole Basin Mixer



Assemble the parts as per the diagram

Ensure that the mains water supply is turned off before installation

Install the flexible tubes (12) and threaded rod into the spout body (1) Position the base plate (2) and surface washer (3) onto the bottom of the spout (1) and place the assembly onto the basin/counter ensuring that the washer is in between the surface and the mixer. From the underside, place the 'O' ring (10) followed by the metal washer (11) onto the threaded rod, then tighten to clamp the spout to the basin/counter with the back nut, being careful not to over tighten.

Screw the rubber washer (6), metal washer (7) and back-nut (8) on the valve body (9) right down to the bottom of the thread.

Installation continued:

Push the assembly up through the fixing surface from the underside, place the washer (5) and base plate (4) and secure.

By screwing on cover shroud (18) spindle extension (17) and screw (15). Now tighten up (6,7 & 8) to the fixing surface so that the valve body is secure. Then place handle (14) onto the spindle and secure with grub screw (16) Repeat for other valve.

Connect the flexible's (12) to the inlet valves (9) placing washer (19) into flexible nut (20) Install the waste ensuring that the foam washer is in between the waste and basin on the top portion of the waste, the rubber washer is to be placed under the basin before the bottom part of the waste is tightened up. Take care not to over tighten.

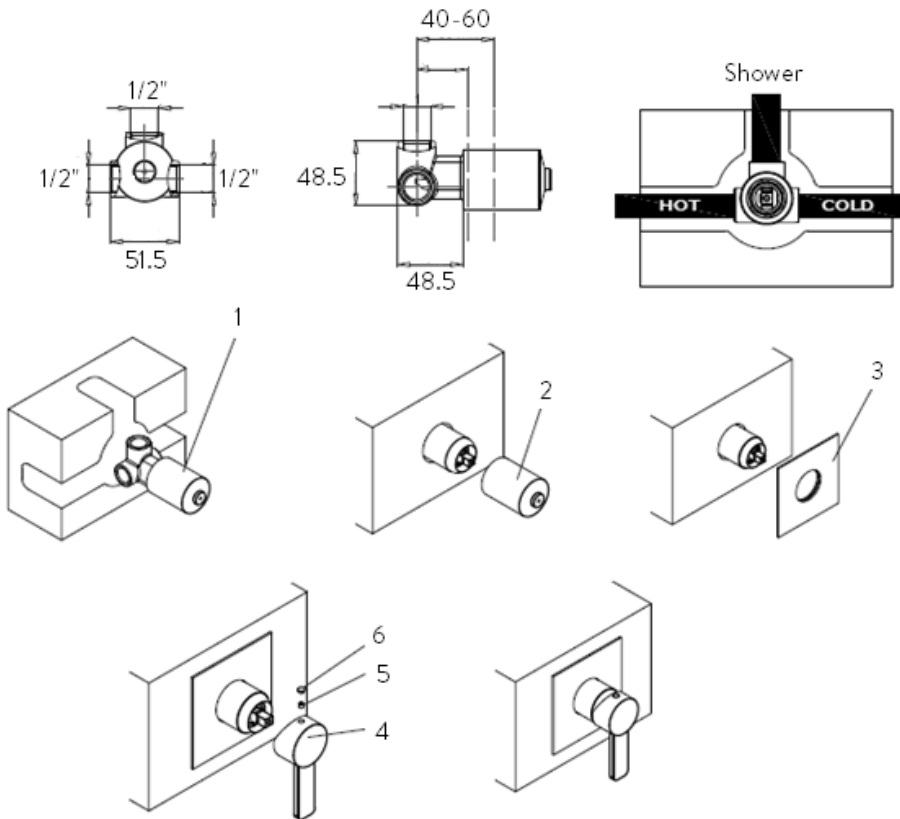
Insert the vertical pop up rod (21) into the spout body and connect to the horizontal rod (22) on the waste body using the connector provided.

Slide down push rod into rod link then push both roads down to the furthest point and tighten.

Connect the water supply, then open the water supplies and test for leaks on the connections.

*** Before making any inlet pipe connections, all supply pipes MUST be thoroughly flushed to remove debris. Failure to do this could result in damage to the cartridge and components or low flow from the mixer***

Concealed Shower Mixer



Assemble the part as per the diagram

Ensure that the mains water supply is turned off before installation.

Install the mixer housing (1) at a depth so that the finished surface is between the Min/Max distance markings shown in the diagram.

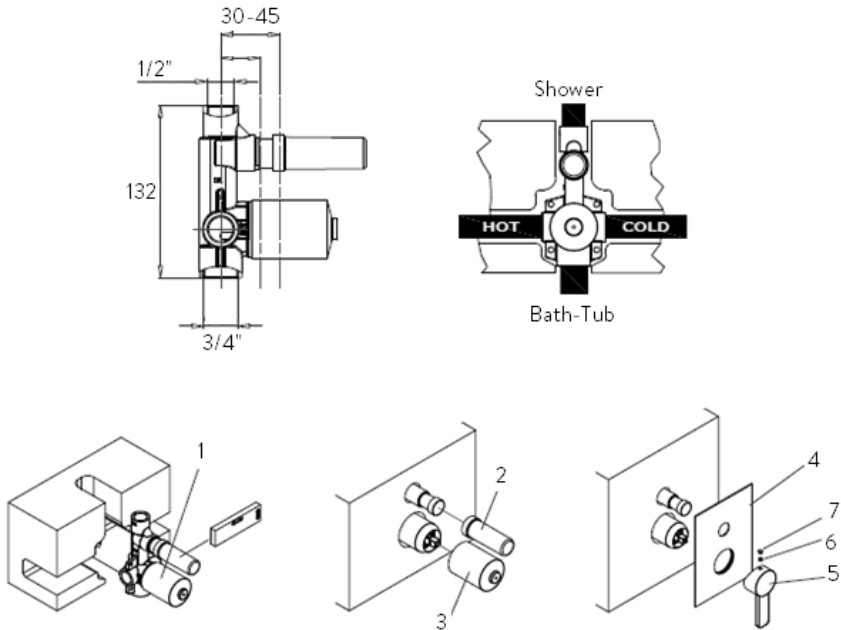
Connect the Hot and Cold water supplies to the mixer, then install the mixed water supply, cap off and pressure test to prevent any future leakage*.

Once the surrounding finishes have been applied (Tiles/Marble etc.) remove the protection cover (2). Fit the face plate (3) onto the mixer body, it is advised to use a small amount of lubricant on the rubber seals. Slide the handle (4) onto the cartridge pin and secure with the grub screw (5), then push on the cover cap (6).

Open the water supplies and re-test for leaks.

*** Before making any inlet pipe connections, all supply pipes MUST be thoroughly flushed to remove debris. Failure to do this could result in damage to the cartridge and components or low flow from the mixer***

Concealed Shower Mixer with Diverter



Assemble the part as per the diagram.

Ensure that the mains water supply is turned off before installation.

Install the mixer housing (1) at a depth so that the finished surface is between the Min/Max distance markings shown in the diagram.

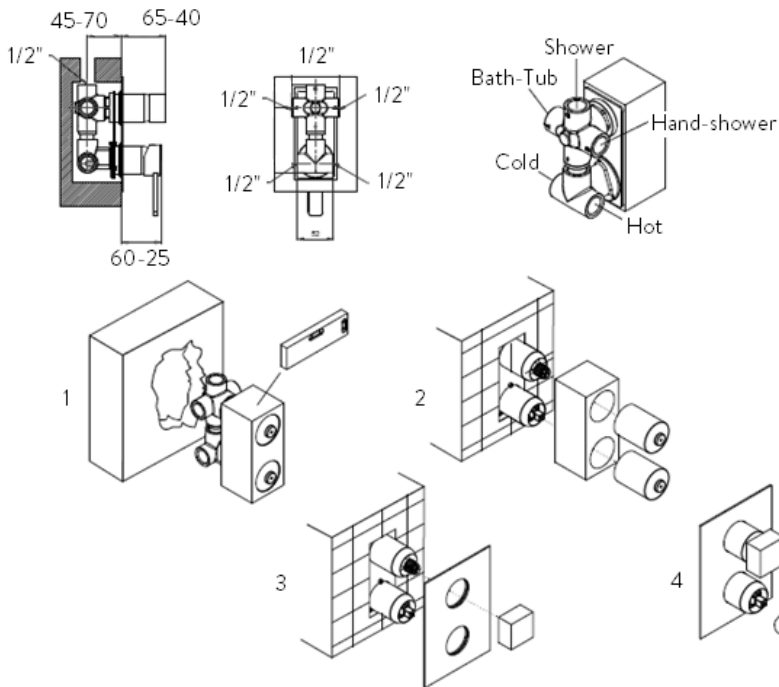
Connect the Hot and Cold water supplies to the mixer, then install the mixed and diverted water supplies, cap off and pressure test to prevent any future leakage*.

Once the surrounding finishes have been applied (Tiles/Marble etc.) remove the protection cover (2&3). Fit the face plate (4) onto the mixer body, it is advised to use a small amount of lubricant on the rubber seals. Slide the handle (5) onto the cartridge pin and secure with the grub screw (6), then push on the cover cap (7).

Open the water supplies and re-test for leaks.

*** Before making any inlet pipe connections, all supply pipes MUST be thoroughly flushed to remove debris. Failure to do this could result in damage to the cartridge and components or low flow from the mixer***

Concealed Shower Mixer with 3-Way Diverter



Assemble the part as per the diagram.

Ensure that the mains water supply is turned off before installation.

Install the mixer housing at a depth so that the finished surface is between the Min/Max distance markings shown on the diagram.

Connect the Hot and Cold water supplies to the mixer, then install the mixed and diverted water supplies, cap off and pressure test to prevent any future leakage*.

IMPORTANT: Leave the protection sponge installed until the surrounding finishes have been applied

Once the surrounding finishes have been applied (Tiles/Marble etc.) remove the protection covers and protection sponge.

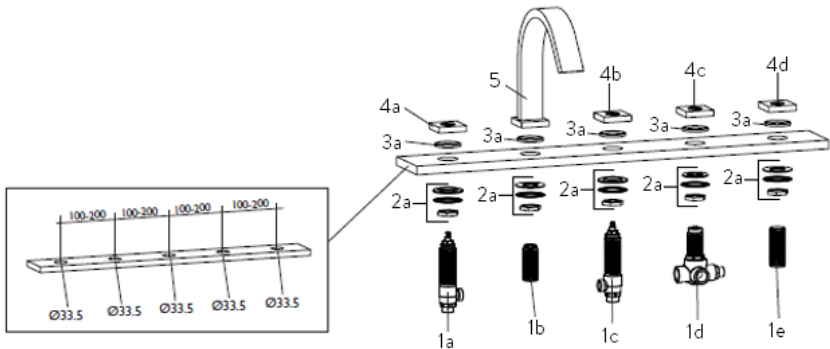
Slide the face plate on to the mixer body, lubricant can be used on the rubber seals if required. Install the diverter knob and secure with the grub screw, then push on the cover cap.

Slide the handle onto the cartridge pin and secure with the grub screw, then push on the cover cap.

Open the water supplies and re-test for leaks.

*** Before making any inlet pipe connections, all supply pipes MUST be thoroughly flushed to remove debris. Failure to do this could result in damage to the cartridge and components or low flow from the mixer***

5-hole Deck Mounted Bath Filler – Installation



Assemble the parts as per the diagram

Ensure that the mains water supply is turned off before installation

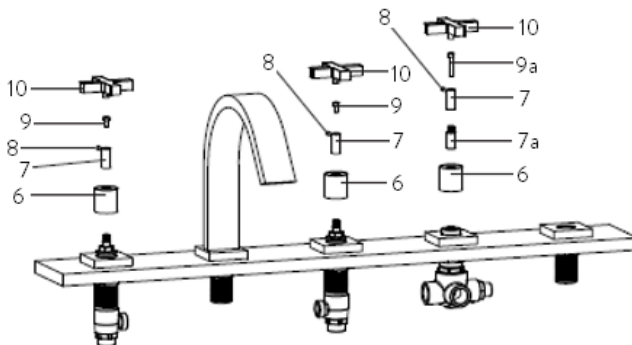
Arrange the fixing surface to the dimensions shown in the diagram

Screw on 1x (group 2a) onto valves (1a & 1c) spout (1b) diverter (1d) and hand-shower holder (1e) and screw right down to the bottom of the thread.

Push assemblies (1a, 1c, 1d & 1e) up through the fixing surface from the underside and secure with the base plate (4a, 4b, 4c & 4d) ensuring that washer (3a) is between the base plate and fixing surface. For assembly (1b) tighten using spout (5) again ensuring washer (3a) is in place.

Now tighten fixings (group 2a) up to the fixing surface so that the assemblies are secure.

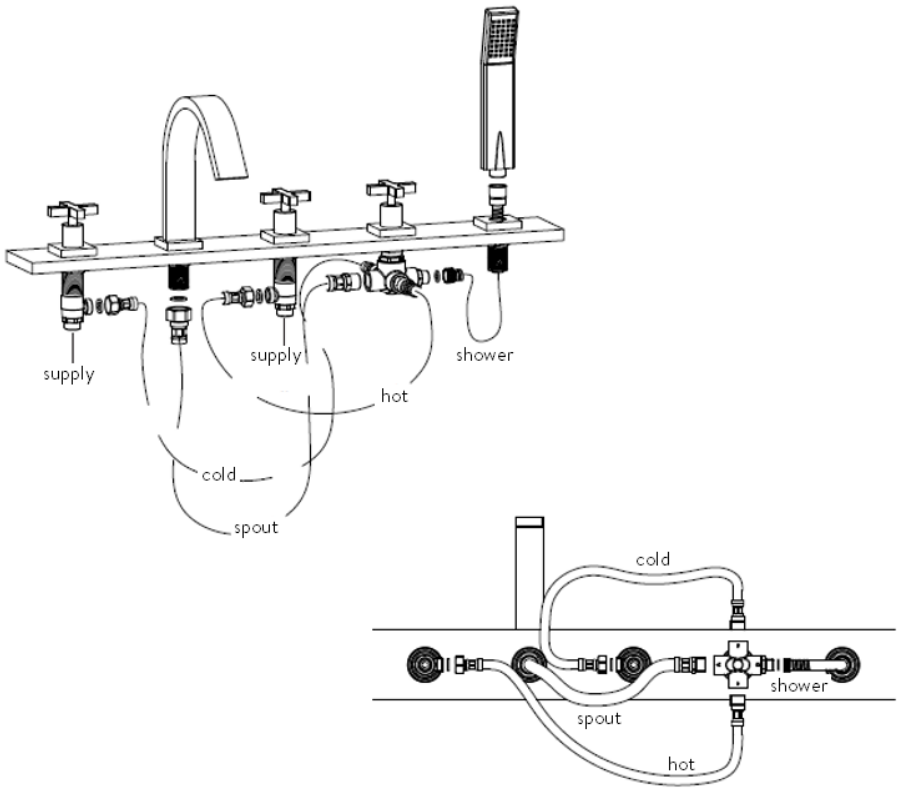
Note: With varying surface depths (group 2a) will have to be adjusted to suit.



On assembly 1a & 1c screw on cover shroud (6) and attach the spindle extension (7) to the cartridge pin using screw (9), place the handle (10) on to the spindle extension and secure with grub screw (8) Repeat for other valve.

For the diverter 1d screw on cover shroud (6) and attach the diverter extension (7a) then spindle extension (7) to the cartridge pin using screw (9a), place the handle (10) on to the spindle extension and secure with grub screw (8).

5-hole Deck Mounted Bath Filler – Connections



Attach the hand-shower to the SHOWER hose, pull through the hand-shower holder and attach to the 3/8" connection on the diverter valve.

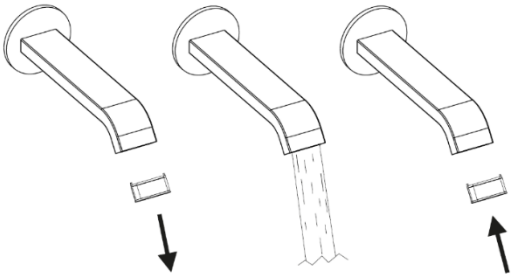
Connect the HOT and COLD flexibles from the valves (1a & 1c) to the diverter valve (1d) as shown in the diagram.

Connect the SPOUT flexible from the spout (1b) to the diverter valve (1d) as shown in the diagram.

Connect the SUPPLY (not supplied) to the valves, turn on water connections, and then test for leaks.

*** Before making any inlet pipe connections, all supply pipes MUST be thoroughly flushed to remove debris. Failure to do this could result in damage to the cartridge and components or low flow from the mixer***

MAINTENANCE



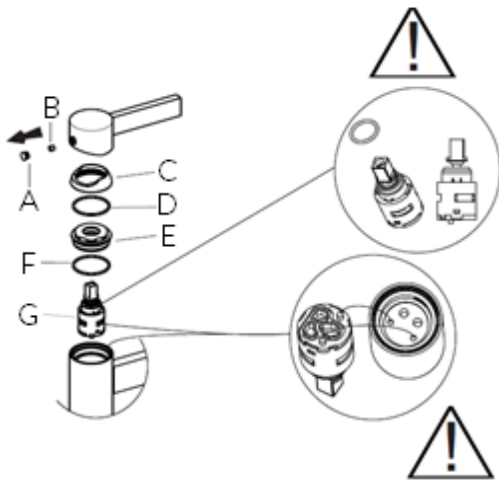
Periodically the aerator will need to be cleaned, simply remove the retaining screw.

Remove the aerator from the spout

Flush the aerator under water to remove the small debris.

Install the aerator back into the tap.

Mono Cartridges

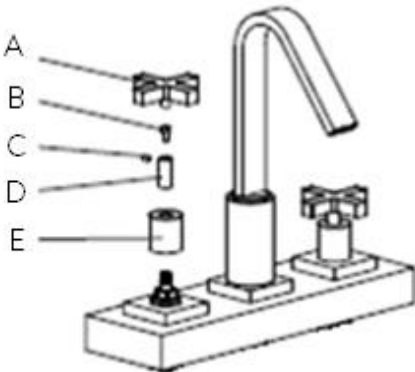


To remove the cartridge, remove the push cover (A), using an Allen key loosen the grub screw (B) this will allow the handle to be removed.

Unwind the shroud (C) and remove washer (D), Carefully with a spanner loosen the locking nut (E) and remove washer (F), this will allow the cartridge (G) to be taken out and replaced. Be careful not to lose any of the assembly parts.

When inserting the new cartridge make sure the 2 locating points align, then re-assemble as above.

¼ Turn Cartridges



To remove the cartridge, lift the handle (A), loosen the screw (B), loosen the grub screw (C) they will allow the extension (D) to be removed. Unwind the shroud (E) this will allow access to the cartridge.

Using an adjustable spanner loosen the cartridge and fully unwind until it is removed.

Replace the cartridge and re-assemble as above.

BAGNODESIGN

EXPERTLY CRAFTED BATHROOMS

Oakwell Way, Birstall
Leeds, England WF9 17LU

A member of  SANIPEXGROUP