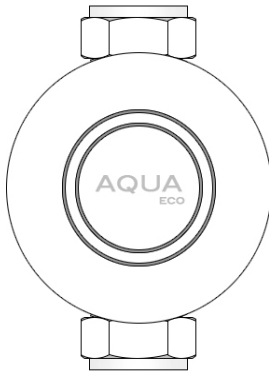


AQUAZONE

QUALITY PLUMBING SOLUTIONS

General Installation Guide



ECO

push concealed shower valve

A member of  SANIPEXGROUP

Please leave these instructions with the customer

IMPORTANT PLEASE READ

Remove all packaging and check the product for missing parts or damage before starting installation.

Any alterations made to this product and fittings may infringe water regulations and invalidate the guarantee.

The Installation must comply with all Local/National Water Supply Authority Regulations/Byelaws and Building and Plumbing Regulations.

We strongly recommend that your product be installed by a reputable qualified trade's person.

General Installation:

To the Installer, please read and follow this instruction carefully, as the guarantee is only valid if the product is installed as directed.

Don't rush, read the instructions first and run through them before you begin. Keep fittings together to avoid loss. Do not over tighten screws or bolts.

If the product is covered with polyethylene protective film, do not remove until installation is complete to grant maximum protection. However, remove film where any two surfaces will be in permanent contact.

Before making any inlet pipe connections, all supply pipes MUST be thoroughly flushed to remove debris.

The fitting of an in-line filter is recommended, Failure to do this could result in damage to the cartridge and components or low flow from the mixer.

The fitting of isolation/stop valves on the inlet feeds is advised for ease of maintenance.

Please leave this installation manual with the end user once the product has been installed.

Product Aftercare:

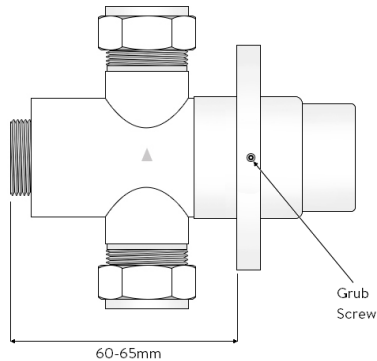
We recommend cleaning with a soft damp cloth and mild soap solution. Do not use cream cleaners or cleaners containing bleach.

Do not scrub or scour.

Do not use abrasive cleaning agents.

Do not use solvent based cleaners.

Concealed Push Shower Valve

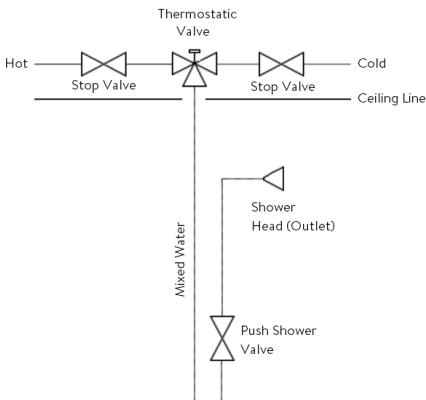


Install the valve housing at a depth so that the finished surface is no further than the maximum distance marking shown in the diagram. Connect the mixed water supply to the valve ensuring the arrow on the mixer body is the required flow direction, then install the mixed water supply to the outlet, cap off and pressure test to prevent any future leakage* Once the surrounding finishes have been applied (Tiles/Marble etc.) Fit the face plate onto the valve body, it is advised to use a small amount of lubricant on the rubber seals, and then secure with the grub screw.

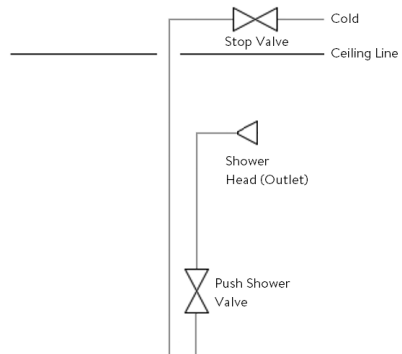
Open the water supplies and re-test for leaks.

Recommended Plumbing Installation:

With Thermostatic Valve:



Cold Water Only:



If one water supply is available we would only recommend a Cold Water Supply, Hot water could cause Scalding if not installed with Thermostatic mixer.

*** Before making any inlet pipe connections, all supply pipes MUST be thoroughly flushed to remove debris. Failure to do this could result in damage to the cartridge and components or low flow from the mixer***

AQUAZONE

QUALITY PLUMBING SOLUTIONS

Oakwell Way, Birstall
Leeds, England WF9 17LU

A member of  SANIPEXGROUP