

AQUAZONE

QUALITY PLUMBING SOLUTIONS

Installation Guide



AQM-ECO-1305-A-XX

AQUAECO ROUND CONCEALED TOUCHLESS BASIN TAP

A member of SANIPEXGROUP

Specifications of Infra-red Sensor Faucet

Item No.	DC Products	AC Products
Power Supply	DC6V(4 X AA Battery)	AC220V
Power Consumption	<0.2mW	<1W
Water Pressure	0.05MPa~0.7MPa	
Diameter of Water Supply	G1/2" (DN15)	
Ambient Temperature	0.1°C~55°C	
Protection Degree	Ip54	
Detection Zone (Based on standard white inductive board, size: 29.7*29.7cm)	Factory set 28~30cm for: Sensor at the faucet body	
	Factory set 17~18cm for: Sensor built-in the aerator together	

Tools Required For Installation:

Head screwdriver

Wrench

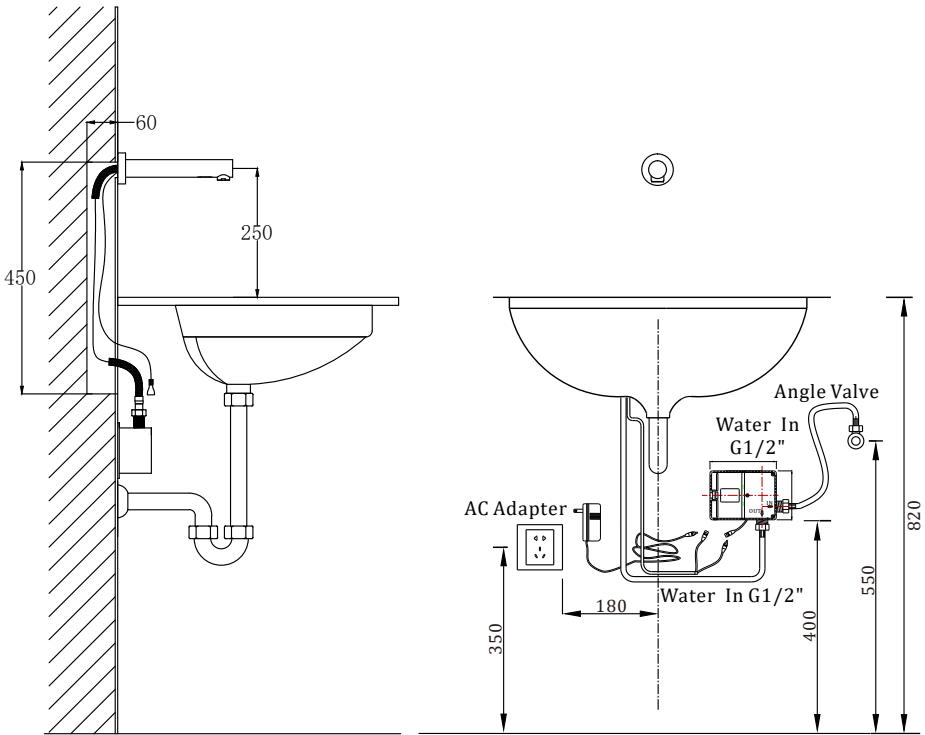
Hammer (installing plastic wall anchors to wall)

Drill bit (installing plastic wall anchors to wall)

Please shut off the valve of inlet pipe before installation.

Note: We don't supply inlet pipe. Before installing Control module assembly, please check your inlet pipe whether it could be connected to the deck enough.

Installation Instruction:



(Figure 2 installation instruction)

Installation Steps:

1. Confirm hole of basin suiting for installation, Threaded Bush needs exceeding diameter 28mm, Sleeve Nut & Horseshoe Gasket need exceeding diameter 33mm.
2. Place control box and drill holes: diameter 6mm and depth 30mm (drill 4 holes between 142mm * 94mm).
3. C battery control box, place 4 X AA batteries into battery box with correct direction.
4. Open angle valve to clean water supply pipe and close for installation.

BATTERY REPLACEMENT PROCEDURE

Battery powered faucet with 4 x AA alkaline batteries can be used for 2 years at 200 cycles a day. When the batteries are low and need to be replaced, the faucet will signal you, when your hand approach the sensor location, the LED will flash red three times quickly without water out; when without object to approach the sensor location, the LED will red one time per four second. At this point we recommend battery replacement.

To replace batteries:

Note: Water supply to the faucet does not need to be turned off when replacing batteries.

Loosen the cap of control module assembly with head screwdriver, and loosen the cap of battery compartment. To ensure proper operation, inset four (4) new AA alkaline batteries. Check that the orientation of each battery matches the positive (+) and negative (-) symbols shown in the bottom of the battery compartment. Make sure that spout is properly centered and that no objects are in the sink. Close the cap of battery compartment and cap of the control module assembly follow the above steps.

Upon installation of the batteries, faucet will begin a new self-calibration procedure.

SOLENOID SCREEN FILTER CLEANING PROCEDURE

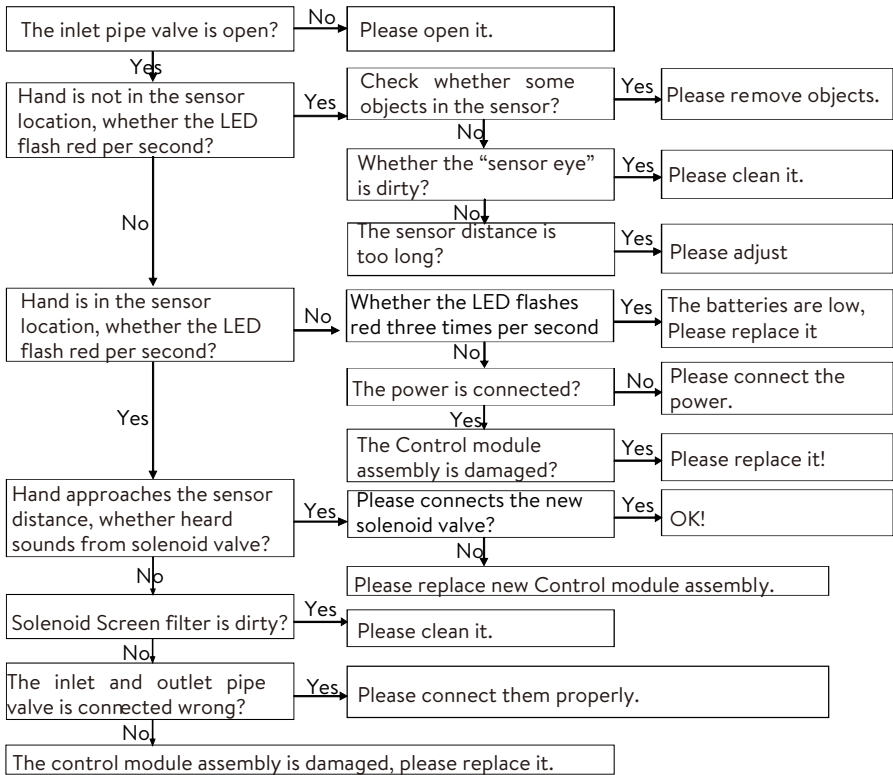
Before cleaning the screen filter, turn off the water supply at the supply stop(s). Turn off the inlet pipe. Activate the faucet to relieve any pressure in the system.

Clean the screen filter using fresh tap water. If necessary, use a small brush to clean. Use caution while cleaning to prevent damage to the solenoid screen filter.

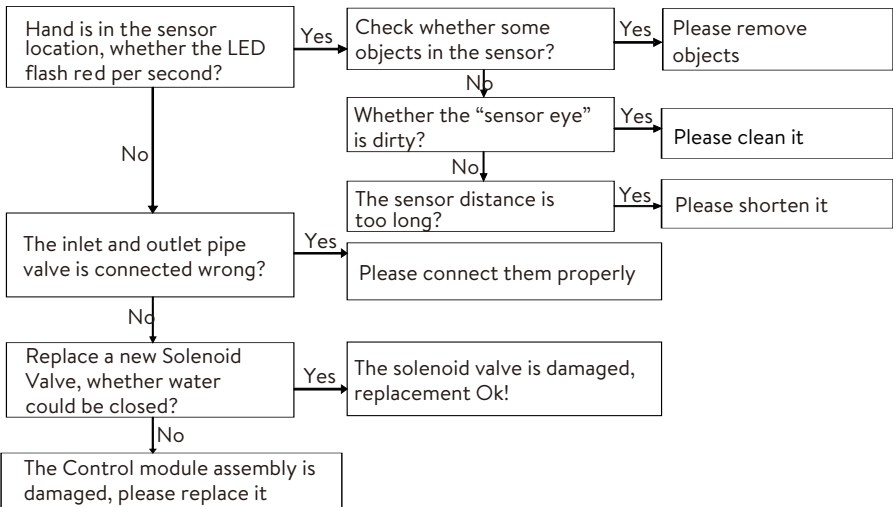
Connect the inlet pipe; turn on the water supply at the supply stop(s). Activate the faucet to purge any air from the system lines. Check for leaks and repair as necessary.

Troubleshooting Guide

Problem: Sensor is activated but faucet doesn't flow water.



Problem: Faucet does not stop delivering water?



Cleaning instruction

Dear Customers:

The electroplating on this product is finished to a high standard. To keep the product surface in pristine condition, clean with a soft damp cloth only. To avoid limescale / watermarks from building up, it is advisable to wipe the fitting dry each time it is used.

Damage to the surface caused by improper cleaning/maintenance will not be covered under guarantee.

On no account should any bathroom cleaner be used on this product as these can contain acids that are aggressive/corrosive on finished surfaces!

AQUAZONE

QUALITY PLUMBING SOLUTIONS

Oakwell Way, Birstall
Leeds, England WF9 17LU

A member of SANIPEXGROUP