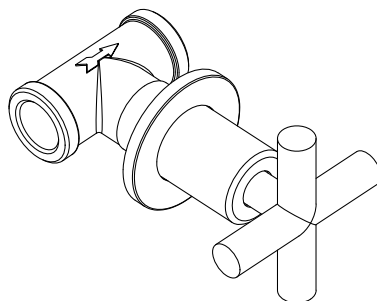
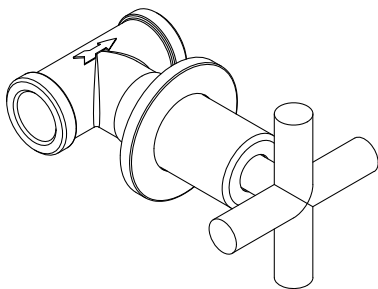


BAGNODESIGN

EXPERTLY CRAFTED BATHROOMS

Installation Guide



BDM-IBI-440-443-XX

IBIZA CONCEALED STOP VALVE 1/2" & 3/4"

A member of **SANIPEXGROUP**
www.sanipexgroup.com

IMPORTANT PLEASE READ

All products manufactured and supplied by BAGNODESIGN are fit for purpose as long as they are Installed, used correctly, cleaned and receive regular maintenance in accordance with these instructions...

Remove all packaging and check the product for damage or missing parts before commencing with the installation.

Any alterations made to this product and its components may infringe product certification, infringe water regulations and invalidate the guarantee. The Installation must comply with all local/national water supply authority regulations/bylaws and building and plumbing regulations, therefore we strongly recommend that your product be installed by a reputable qualified trade's person.

PRODUCT LIFECYCLE

"The product LiveCyclele is the collective stages that a product goes through from its conception and design through to its ultimate disposal."

DISPOSAL GUIDANCE

The best way to ensure your Product has a long life is to follow the Care and Maintenance guides set by the Manufacture after purchase. This document can be found at www.sanipexgroup.com.

The life cycle of the product is not in correlation to the product Guarantee; the standards the products are manufactured or certified to (e.g. CE & WRAS) can exceed past the Guarantee duration. After the life cycle of the product is deemed complete by the end-user please follow the below to dispose of the items correctly...

Mixers (Taps):

If the mixers are no longer accepted due to mechanical use or aesthetic style, these can be disposed of at a registered Local Authority waste recycling center where the individual components can be sorted.

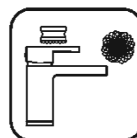
CLEANING CARE GUIDE

Only use a mild soap and water for cleaning.
Rinse with water to remove the mild soap solution.
We recommend the product is dried using a soft cloth after every use.

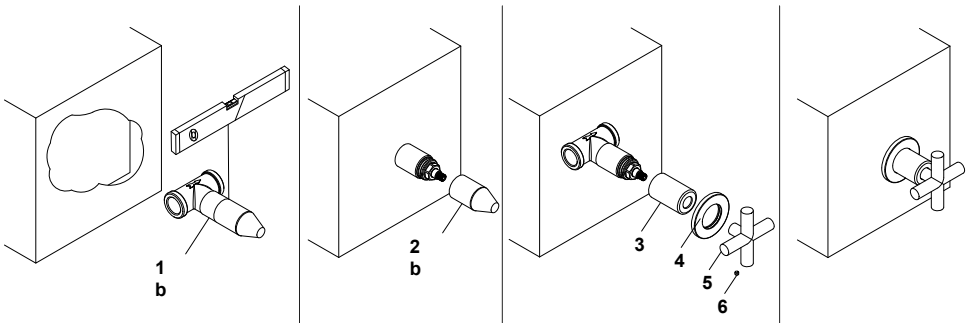
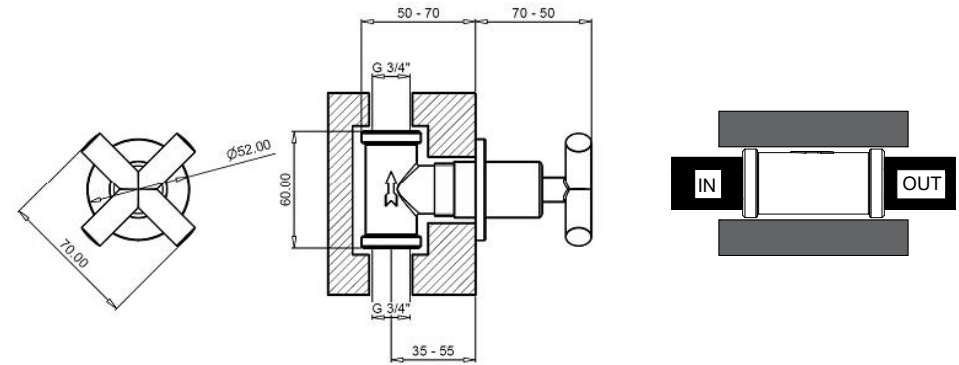
Never use any abrasive or strong cleaning products containing, bleaches, acids (hydrochloric, formic, phosphorus, chlorine or acetic), strong detergents, limescale remover, alcohol or dyes etc.

Never use abrasive cleaning pads, wire wool or microfibre cloths.
Never use cleaning equipment that may have been pre-used and contaminated with the above substances.

Never apply the cleaning product directly onto the finished surface.



Stop Valve



Assemble the part as per the diagram.

Ensure that the mains water supply is turned off before installation.

Install the assembly (1a) at a depth so that the finished surface will be the center of the water inlet. Connect the inlet and outlet water supplies to the mixer connections, pressure test to check for leaks*

Remove the cap(s) and place on the protection cover (2a). Once the surrounding finishes have been applied (Tiles/Marble etc.) remove the protection cover (2a) and discard, Screw on the cover shrouds (3) until secure against the wall surface. Slide the handle (4) on to the cartridge pin and put handle (5) and secure with elan key & the screw (6).

Open the water supplies and re-test for leaks.

Before making any inlet pipe connections, all supply pipes MUST be thoroughly flushed to remove debris. Failure to do this could result in damage to the cartridge and components or low flow from the mixer

Cleaning All surface should be cleaned using a clean damp cloth. No abrasive cleaning agents or materials should be used.

