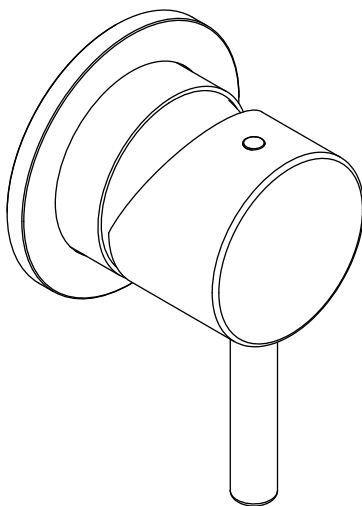


BAGNODESIGN

EXPERTLY CRAFTED BATHROOMS

Installation Guide



BDM-KOY-410-XX

KOY CONCEALED SHOWER MIXER

A member of **SANIPEXGROUP**
www.sanipexgroup.com

IMPORTANT PLEASE READ

Remove all packaging and check the product for missing parts or damage before starting installation.

Any alterations made to this product and fittings may infringe water regulations and invalidate the guarantee.

The Installation must comply with all Local/National Water Supply Authority Regulations/Byelaws and Building and Plumbing Regulations.

We strongly recommend that your product be installed by a reputable qualified trade's person.

General Installation:

Please note this product can require 2 or more persons to lift and manoeuvre into position.

To the installer: Please read and follow this instruction carefully, as the guarantee is only valid if the product is installed as directed.

Don't rush, read the instructions first and run through them before you begin. Keep fittings together to avoid loss. Do not over tighten screws or bolts.

If the unit is covered with polyethylene protective film, do not remove until installation is complete to grant maximum protection. However, remove film where any two surfaces will be in permanent contact.

Verify that all dimensions on the plan are the same as the ones of the product.

Please leave this installation manual with the end user once the product has been installed.

Product Aftercare:

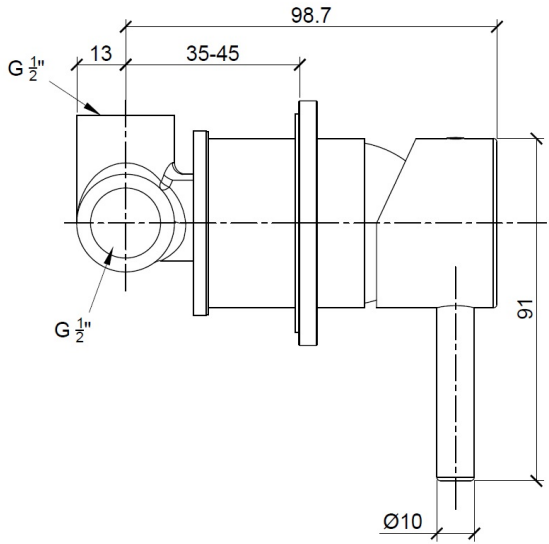
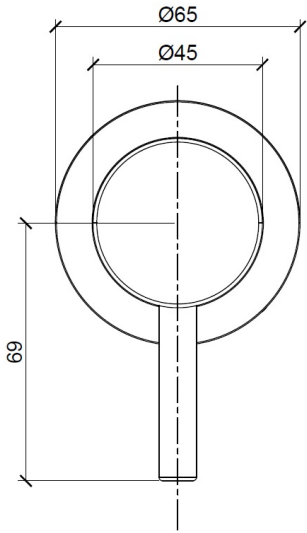
We recommend cleaning with a soft damp cloth and mild soap solution.

Do not use cream cleaners or cleaners containing bleach.

Do not scrub or scour.

Do not use abrasive cleaning agents.

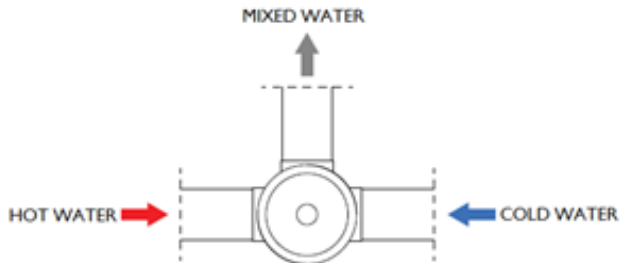
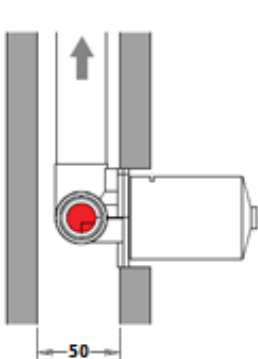
Do not use solvent based cleaners.

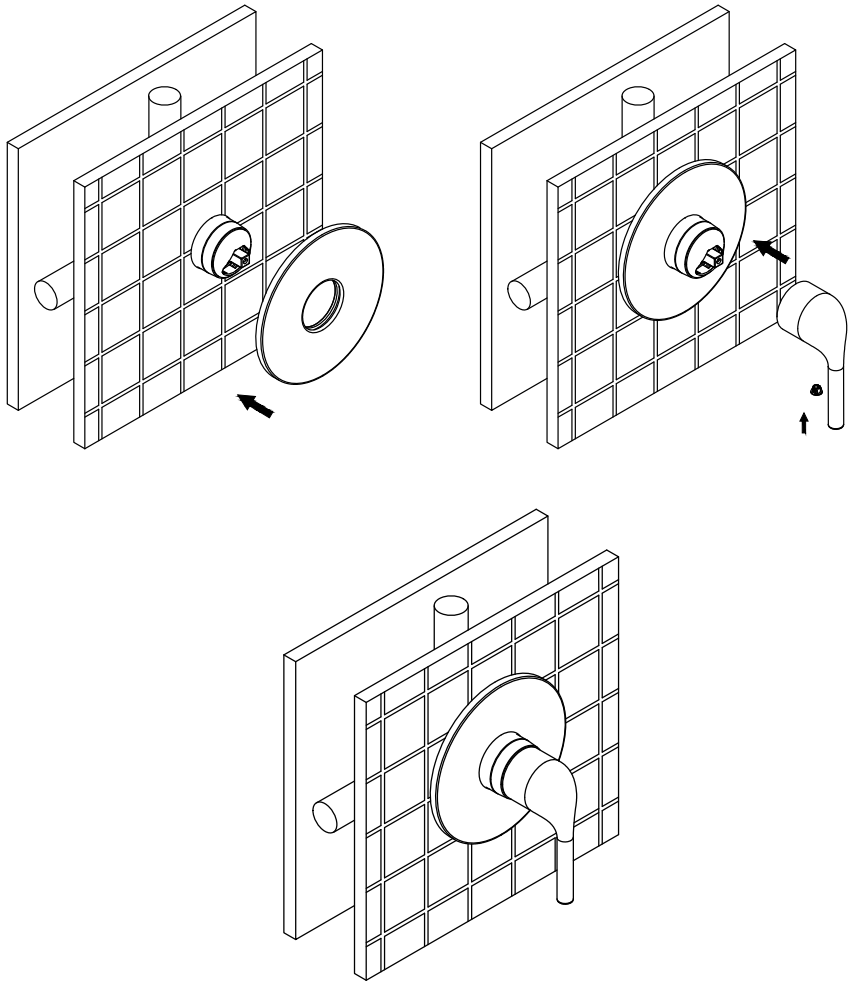


Concealed Shower Mixer

Install the mixer housing at a depth so that the finished surface is no further than the maximum distance marking shown in the diagram.

Connect the Hot and Cold water supplies to the mixer, then install the mixed water supply, cap off and pressure test to prevent any future leakages





Once the surrounding finishes have been applied (Tiles/Marble etc.) remove the protection covers. Fit the face plate onto the mixer body, it is advised to use a small amount of lubricant on the rubber seals. Slide the handle onto the cartridge pin and secure with the grub screw, then push on the cover cap.

Open the water supplies and re-test for leaks.

- **Before making any inlet pipe connections, all supply pipes MUST be thoroughly flushed to remove debris. Failure to do this could result in damage to the cartridge and components or low flow from the mixer'**

Cleaning

All surface should be cleaned using a clean damp cloth. No abrasive cleaning agents or materials should be used.

BAGNODESIGN

EXPERTLY CRAFTED BATHROOMS

A member of SANIPEXGROUP
www.sanipexgroup.com