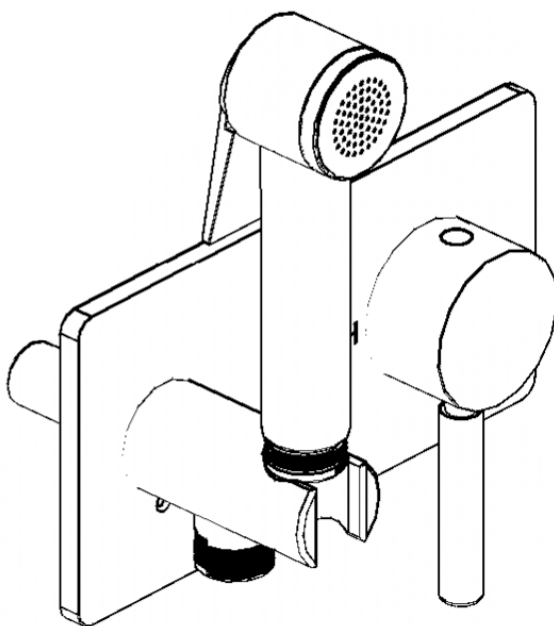


BAGNODESIGN

EXPERTLY CRAFTED BATHROOMS

Installation Guide



BDM-MLI-212180-B-XX

M-LINE CONCEALED BIDET SPRAY MIXER

A member of **SANIPEXGROUP**
www.sanipexgroup.com

IMPORTANT PLEASE READ

All products manufactured and supplied by BAGNODESIGN are fit for purpose as long as they are installed, used correctly, cleaned and receive regular maintenance in accordance with these instructions...

Remove all packaging and check the product for damage or missing parts before commencing with the installation.

Any alterations made to this product and its components may infringe product certification, infringe water regulations and invalidate the guarantee. The Installation must comply with all local/national water supply authority regulations/byelaws and building and plumbing regulations, therefore we strongly recommend that your product be installed by a reputable qualified trade's person.

PRODUCT LIFECYCLE

"The product lifecycle is the collective stages that a product goes through from its conception and design through to its ultimate disposal."

DISPOSAL GUIDANCE

The best way to ensure your Product has a long life is to follow the Care and Maintenance guides set by the Manufacture after purchase. This document can be found at www.bagnodesign-uk.com.

The lifecycle of the product is not in correlation to the product Guarantee; the standards the products are manufactured or certified to (e.g. CE & WRAS) can exceed past the Guarantee duration. After the lifecycle of the product is deemed complete by the end-user please follow the below to dispose of the items correctly...

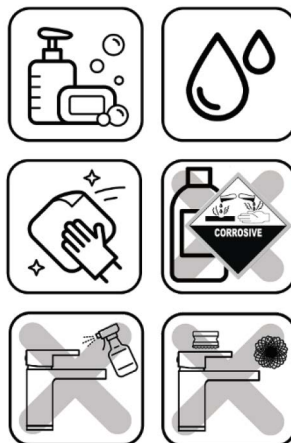
CLEANING CARE GUIDE

Only use a mild soap and water for cleaning.
Rinse with water to remove the mild soap solution.
We recommend the product is dried using a soft cloth after every use.

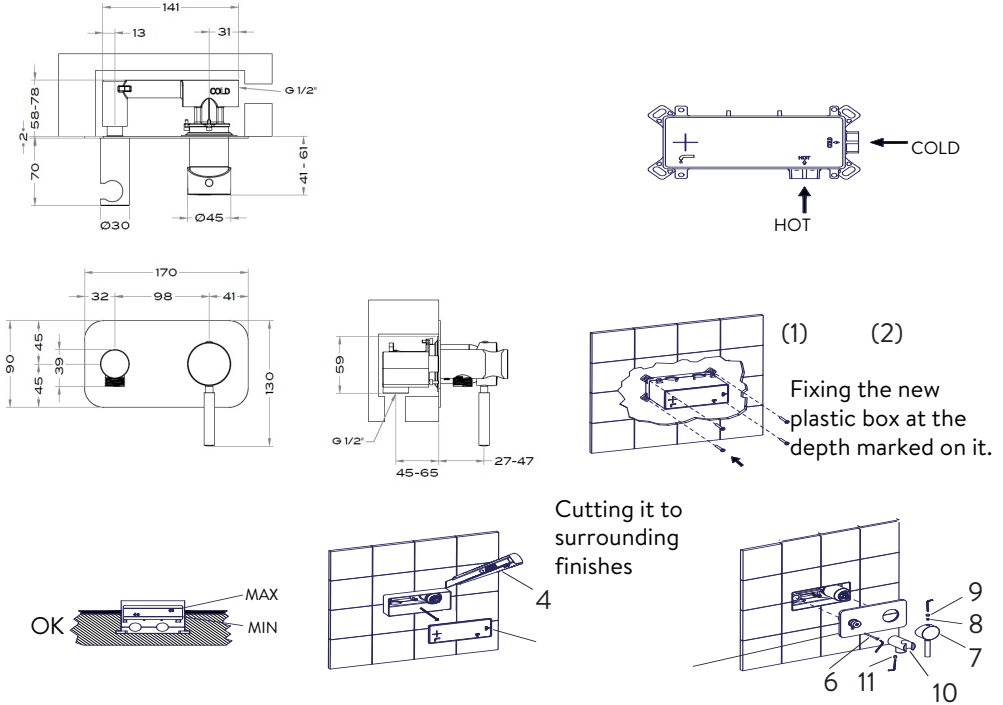
Never use any abrasive or strong cleaning products containing, bleaches, acids (hydrochloric, formic, phosphorus, chlorine or acetic), strong detergents, limescale remover, alcohol or dyes etc.

Never use abrasive cleaning pads, wire wool or microfibre cloths.
Never use cleaning equipment that may have been pre-used and contaminated with the above substances.

Never apply the cleaning product directly onto the finished surface.



Installation instruction



Assemble the parts as per the diagram.

Ensure that the mains water supply is off before installation.

Install the mixer housing (1) at a depth so that the finished surface is between the Min/Max distance marked on the item (2). Connect the Hot and Cold water supplies to the mixer and pressure test to check for leaks at the connections.

Once the surrounding finishes have been applied (Tiles/Marble etc.), remove the front cover (3) and discard. Use a cutter to cutting out the plastic boxe (4) around the applied finishes.

Fit the face plate (5) onto the mixer body, lubricant can be used on the rubber seals if required, once in place secure the faceplate using the screw (6).

Slide the handle (7) on to the cartridge pin and secure with the grub screw (8), then push on the cover cap (9). Place the handshower holder (10) in position and tighten with a grub screw (11).

Open the Water supplies and test.

*** Before making any inlet pipe connections, all supply pipes MUST be Thoroughly flushed to remove debris. Failure to do this could result in damage to the cartridge and components or low flow from the mixer.***

BAGNODESIGN

EXPERTLY CRAFTED BATHROOMS

A member of SANIPEXGROUP
www.sanipexgroup.com