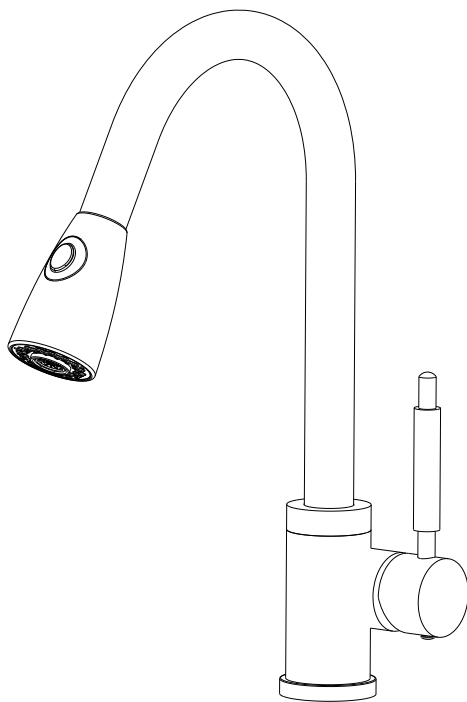


BAGNODESIGN

EXPERTLY CRAFTED BATHROOMS

Installation Guide



BDM-MLI-362-XX

M-LINE KITCHEN SINK MIXER
WITH PULL OUT SHOWER

A member of **SANIPEXGROUP**
www.sanipexgroup.com

IMPORTANT PLEASE READ

All products manufactured and supplied by BAGNODESIGN are fit for purpose as long as they are Installed, used correctly, cleaned and receive regular maintenance in accordance with these instructions...

Remove all packaging and check the product for damage or missing parts before commencing with the installation.

Any alterations made to this product and its components may infringe product certification, infringe water regulations and invalidate the guarantee. The Installation must comply with all local/national water supply authority regulations/bylaws and building and plumbing regulations, therefore we strongly recommend that your product be installed by a reputable qualified trade's person.

PRODUCT LIFECYCLE

"The product LiveCyclele is the collective stages that a product goes through from its conception and design through to its ultimate disposal."

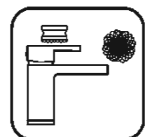
DISPOSAL GUIDANCE

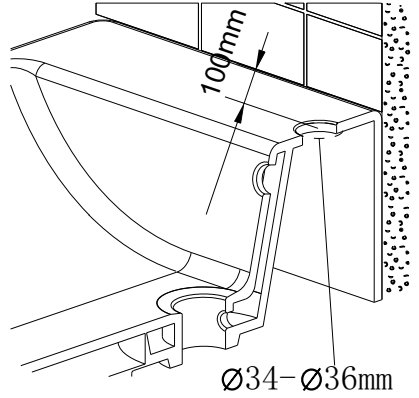
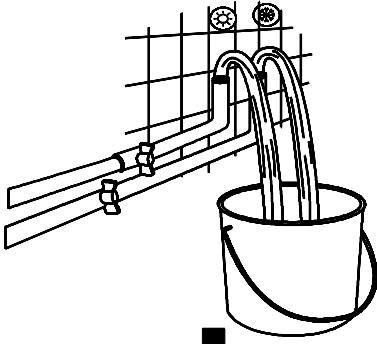
The best way to ensure your Product has a long life is to follow the Care and Maintenance guides set by the Manufacture after purchase. This document can be found at www.sanipexgroup.com. The life cycle of the product is not in correlation to the product Guarantee; the standards the products are manufactured or certified to (e.g. CE & WRAS) can exceed past the Guarantee duration. After the life cycle of the product is deemed complete by the end-user please follow the below to dispose of the items correctly...

CLEANING CARE GUIDE

Only use a mild soap and water for cleaning.
Rinse with water to remove the mild soap solution.
We recommend the product is dried using a soft cloth after every use.

Never use any abrasive or strong cleaning products containing, bleaches, acids (hydrochloric, formic, phosphorus, chlorine or acetic), strong detergents, limescale remover, alcohol or dyes etc.
Never use abrasive cleaning pads, wire wool or microfibre cloths.
Never use cleaning equipment that may have been pre-used and contaminated with the above substances.
Never apply the cleaning product directly onto the finished surface.





Product Specification

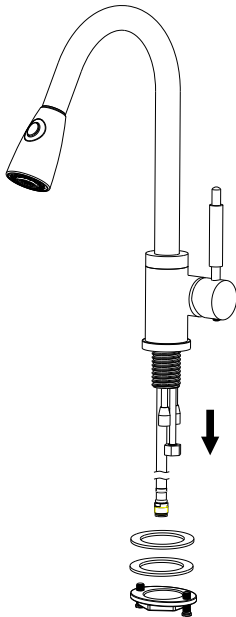
Minimum Pressure Maximum Pressure
 1.0bar 6.0bar

NOTE:
 ISOLATION VALVE NOT SUPPLIED

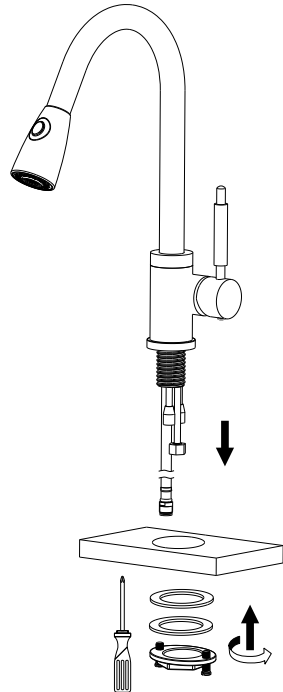


Counter Balance Pullout Spout

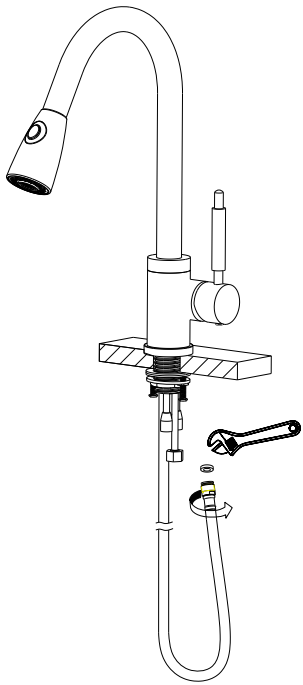
1



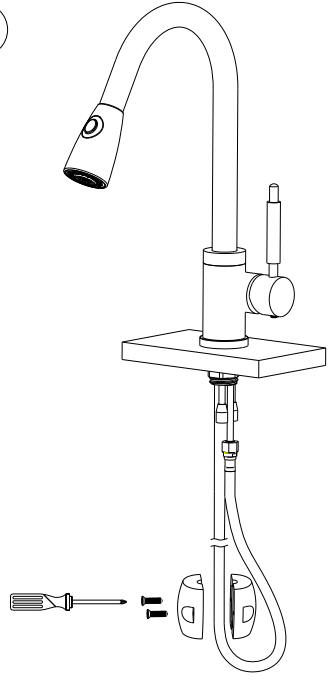
2



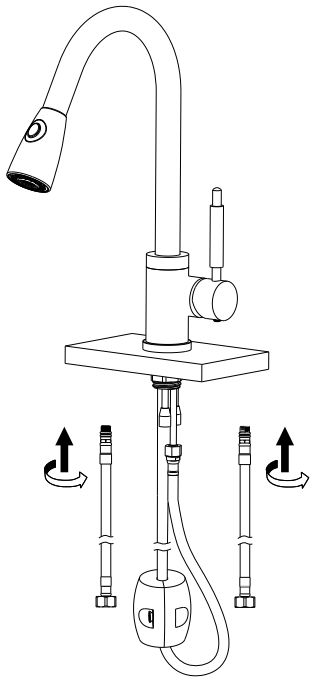
3



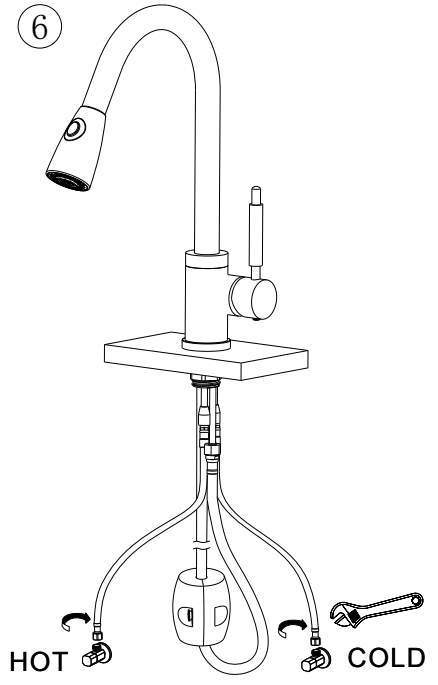
4



5

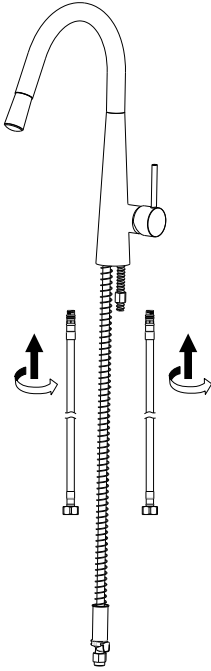


6

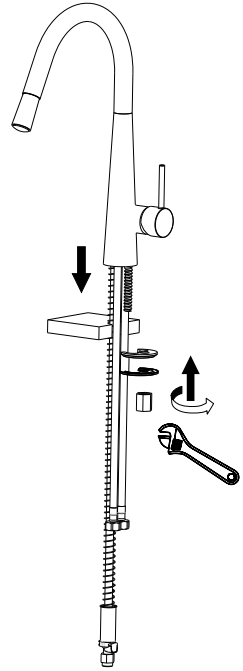


Spring Load Pullout Spout

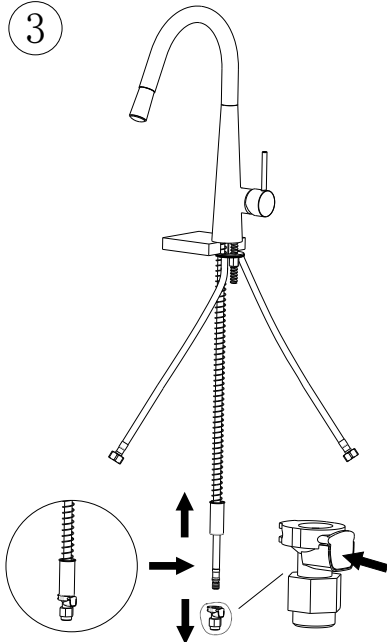
1



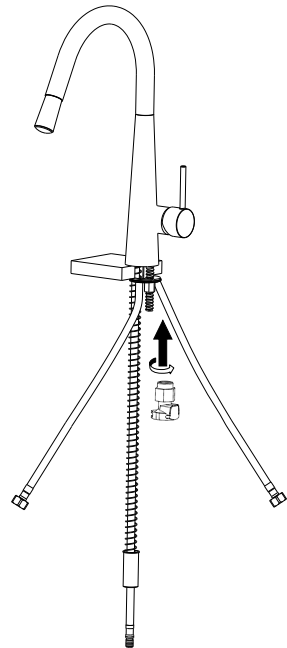
2



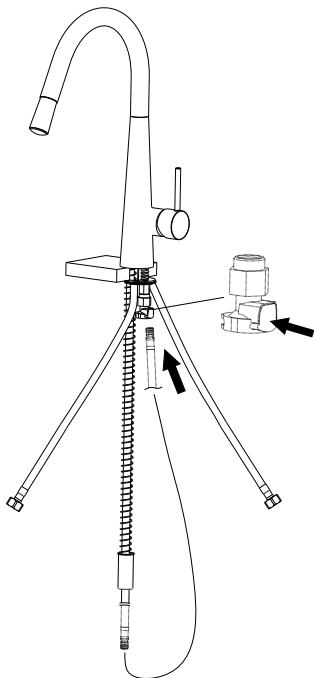
3



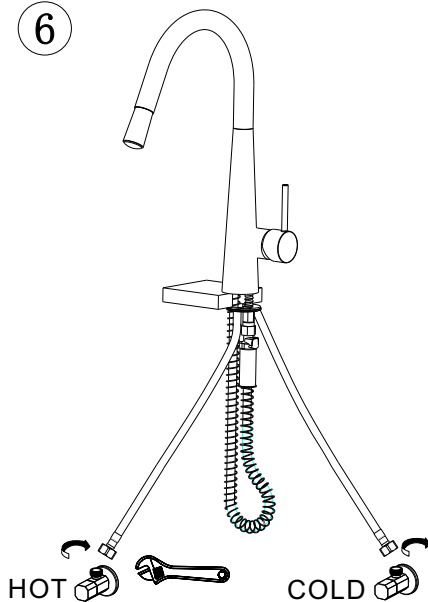
4



5



6

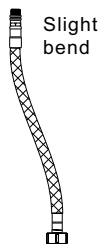


Cleaning

All surfaces should be cleaned using a clean damp cloth. No abrasive cleaning agents or materials should be used.

Flexible Connecting Pipes

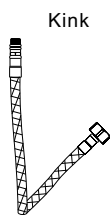
Care must be taken when connecting the flexible connection pipes to the household pipework to ensure they do not bend sharply and kink or twist.



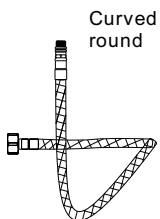
✓



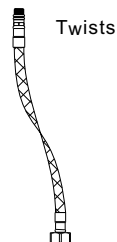
✓



✗



✗



✗



Important: Failure to follow these guidelines may result in poor performance and damage to the flexible connecting pipes.

