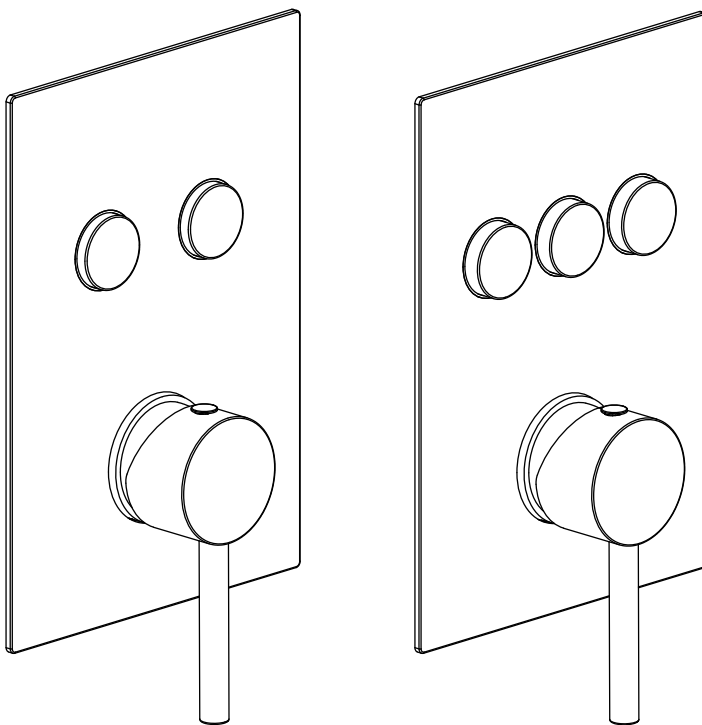


BAGNODESIGN

EXPERTLY CRAFTED BATHROOMS

Installation Guide



BDM-MLI-412-413-XX

M-LINE DIFFUSION CONCEALED 20 & 30 SHOWER MIXER

A member of **SANIPEXGROUP**
www.sanipexgroup.com

IMPORTANT PLEASE READ

All products manufactured and supplied by BAGNODESIGN are fit for purpose as long as they are Installed, used correctly, cleaned and receive regular maintenance in accordance with these instructions...

Remove all packaging and check the product for damage or missing parts before commencing with the installation.

Any alterations made to this product and its components may infringe product certification, infringe water regulations and invalidate the guarantee. The Installation must comply with all local/national water supply authority regulations/bylaws and building and plumbing regulations, therefore we strongly recommend that your product be installed by a reputable qualified trade's person.

PRODUCT LIFECYCLE

"The product LiveCyclele is the collective stages that a product goes through from its conception and design through to its ultimate disposal."

DISPOSAL GUIDANCE

The best way to ensure your Product has a long life is to follow the Care and Maintenance guides set by the Manufacture after purchase. This document can be found at www.sanipexgroup.com.

The life cycle of the product is not in correlation to the product Guarantee; the standards the products are manufactured or certified to (e.g. CE & WRAS) can exceed past the Guarantee duration. After the life cycle of the product is deemed complete by the end-user please follow the below to dispose of the items correctly...

Mixers (Taps):

If the mixers are no longer accepted due to mechanical use or aesthetic style, these can be disposed of at a registered Local Authority waste recycling center where the individual components can be sorted.

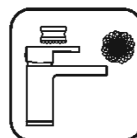
CLEANING CARE GUIDE

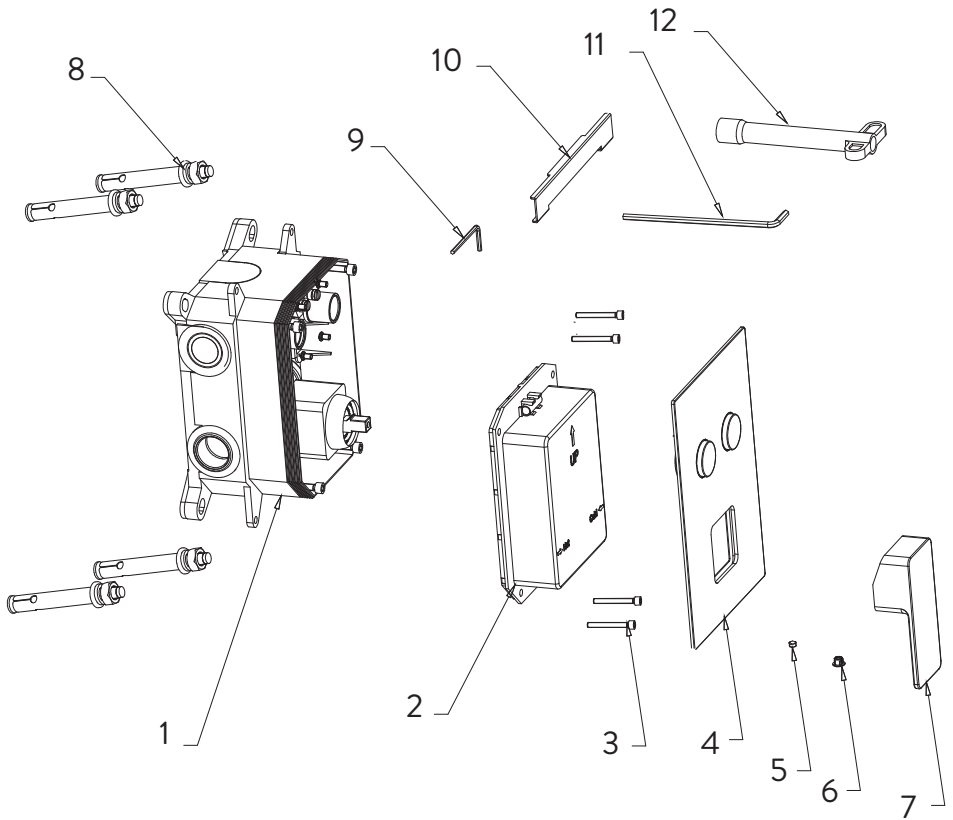
Only use a mild soap and water for cleaning.
Rinse with water to remove the mild soap solution.
We recommend the product is dried using a soft cloth after every use.

Never use any abrasive or strong cleaning products containing, bleaches, acids (hydrochloric, formic, phosphorus, chlorine or acetic), strong detergents, limescale remover, alcohol or dyes etc.

Never use abrasive cleaning pads, wire wool or microfibre cloths.
Never use cleaning equipment that may have been pre-used and contaminated with the above substances.

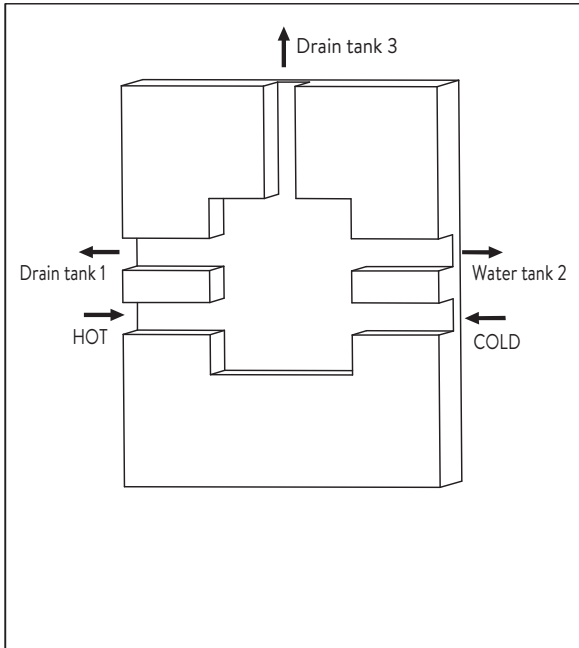
Never apply the cleaning product directly onto the finished surface.



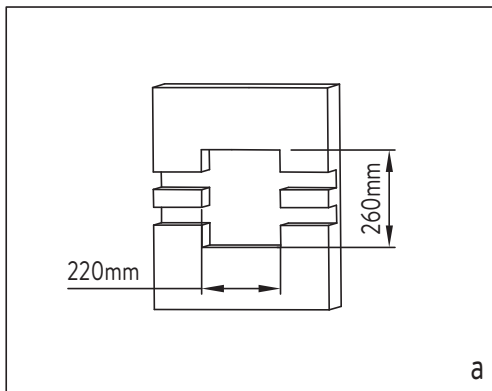


S.No	Part Name	Qty.
1	Buried wall box	1
2	Upper cover (with level)	1
3	M5*40 hexagon socket head cap screw	4
4	Panel assembly	1
5	Set screw	1
6	Plugs	1
7	Zinc alloy handle	1
8	M6*60 expansion screw assembly	4
9	4mm hex wrench	1
10	Install the proof board	1
11	Allen key (HEX=4)	1
12	HF005 horseshoe sleeve	1

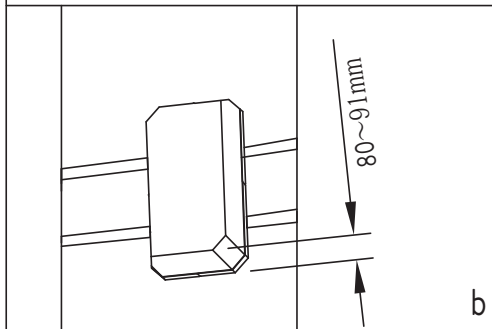
Preparation Before Installation



To install a single-function shower, hit a sink (outlet sink 3). To install a two-function shower, use two outlets (outlet 1 and outlet 2). Install a three-function shower, then play three out of the sink (outlet sink 1, sink 2, drain 3).



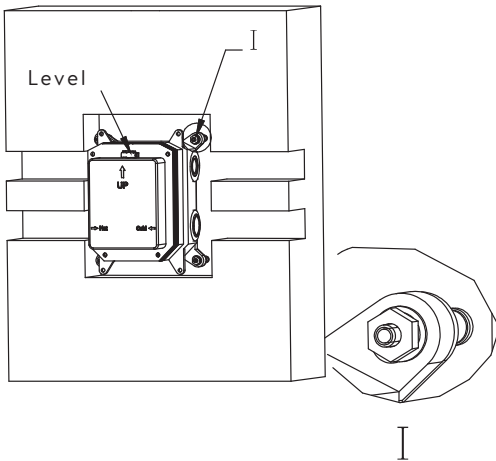
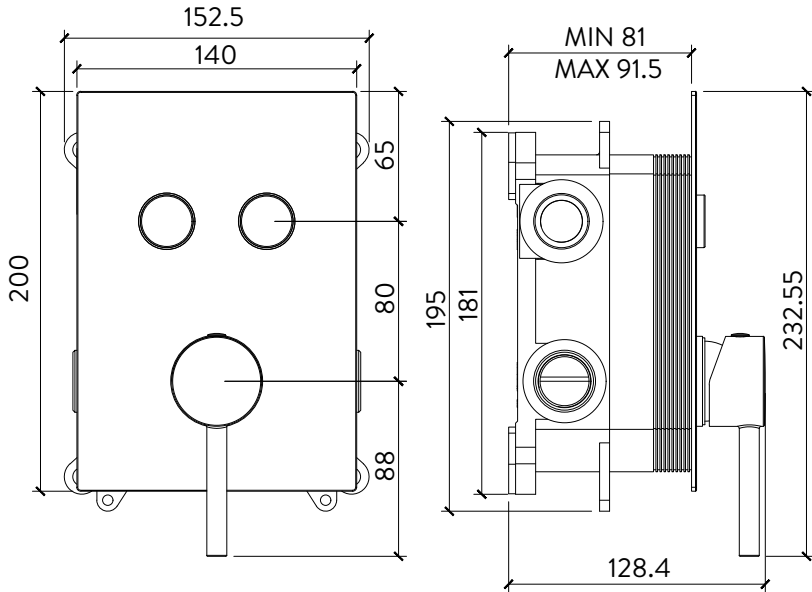
a



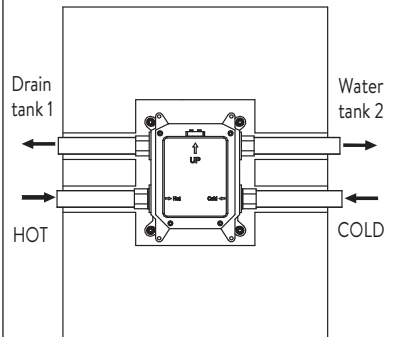
b

Recommended opening size:
Figure a is the length and width of the hole, Figure b shows the depth from the bottom of the hole to the finished wall.

Installation a Wall Box



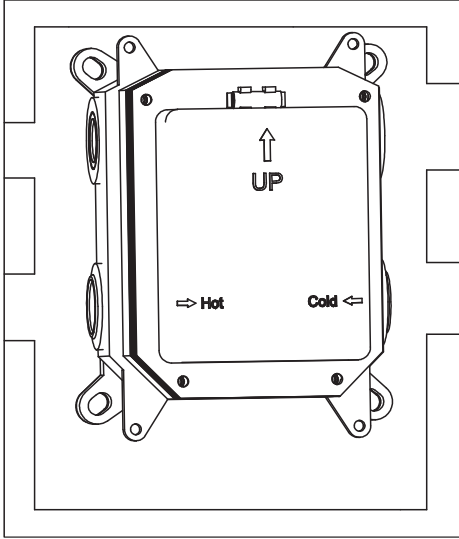
Secure the box to the wall with 4 expansion screws and tighten with the wrench, and make sure the box is parallel to the wall; observe the level on the box, pay attention to whether the box is installed horizontally; indicates upwards in the figure



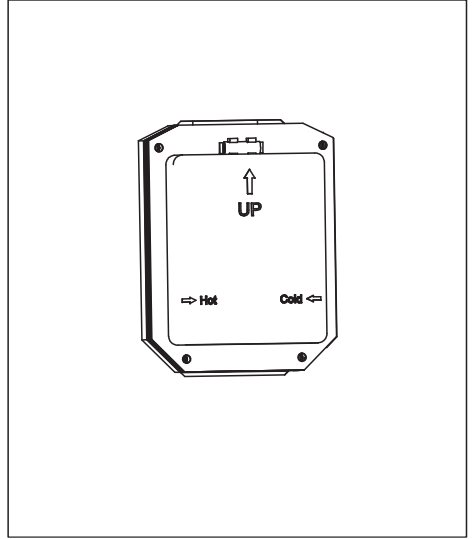
Connecting hot and cold inlet and outlet pipes

Note: Before connecting, please turn on the water source first, rinse the impurities in the water pipe, and then turn off the water source after washing.

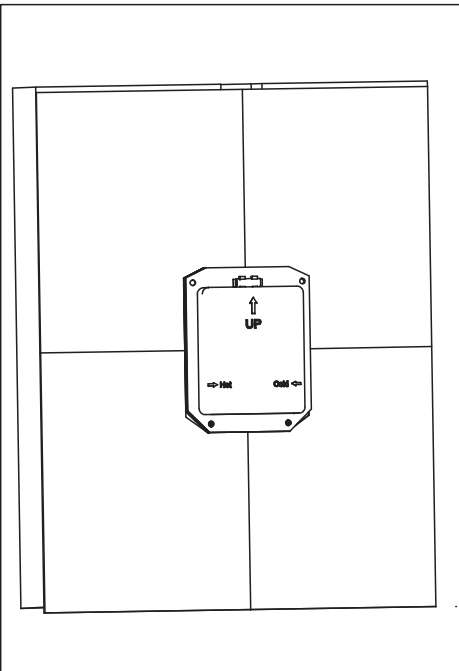
Sealed Wall



After rinsing and ensuring that there is no leakage inside, fill the surrounding wall with cement.

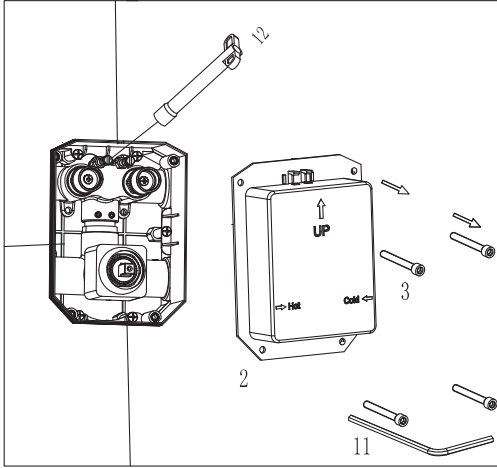


The effect of cement filling. .

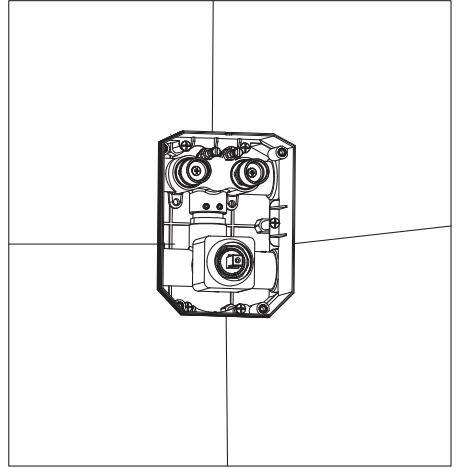


Stick the tiles and the tiles should match the edges of the box. After the tile is finished, wait for the panel to be installed.

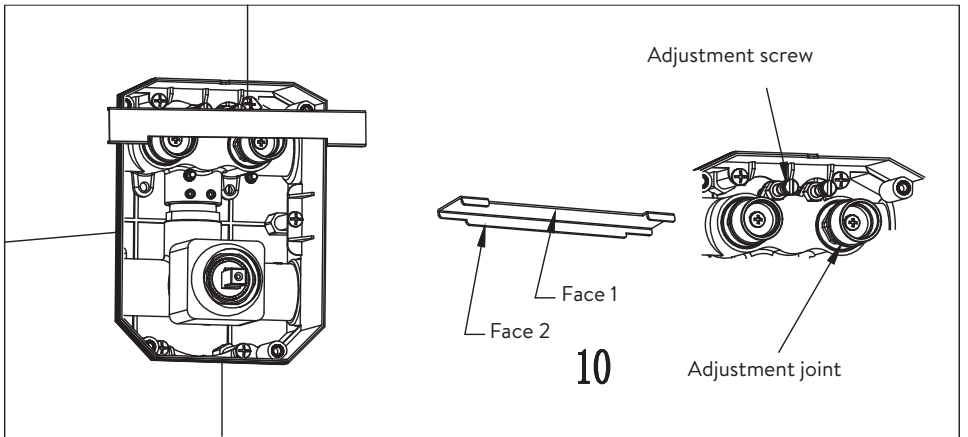
Mounting Panel



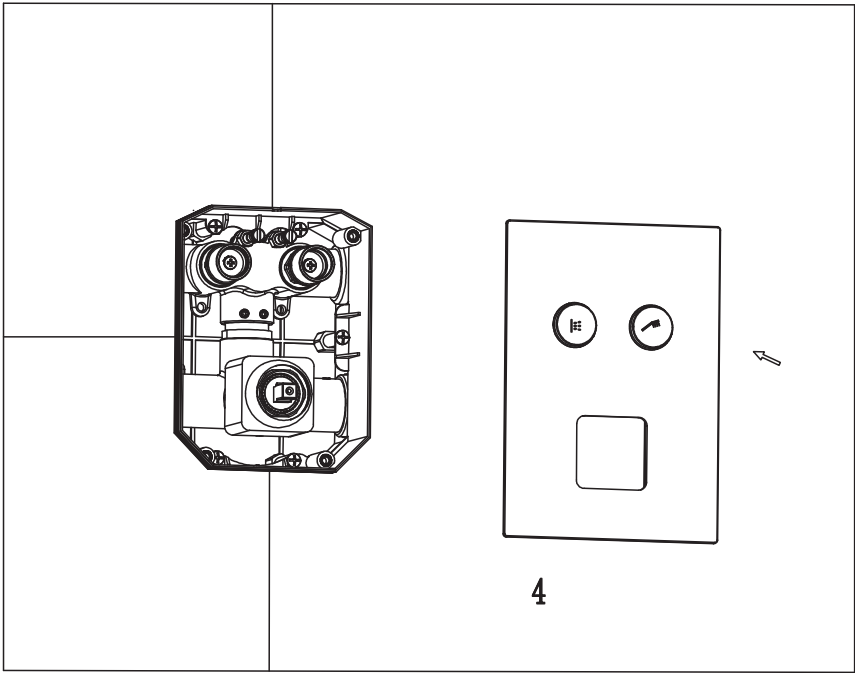
To close the water source, first loosen the two hex nuts counterclockwise with the HF005 horseshoe sleeve (12), then use the tool (11) to unscrew the three screws (3) and remove the upper cover (2).



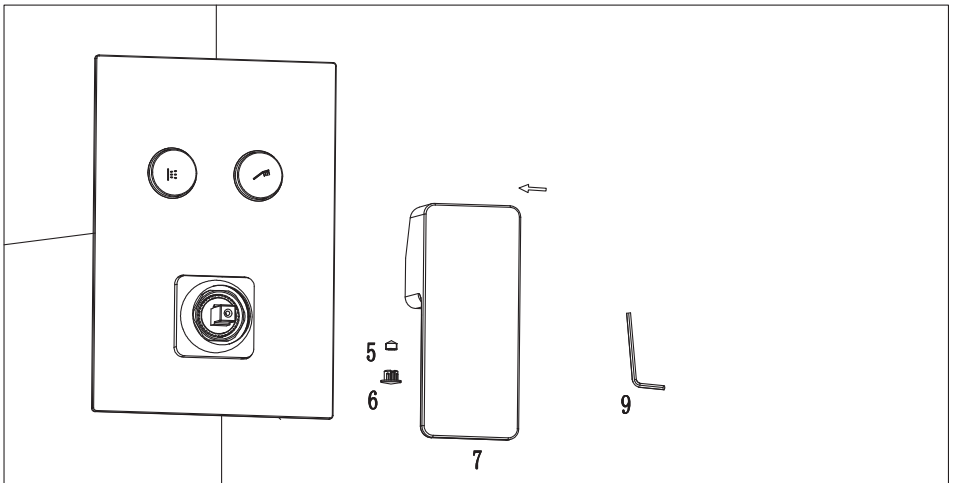
The tile plane is flush, the excess of the buried wall box is cut off, and the glass ring is coated on the entire circle of the box and the wall. Note: 1: Be sure to cut flat to ensure that the panel can be tiled.



10) Place the wall horizontally according to the position shown in figure, and confirm that the valve core is open (up to the highest position). Turn the adjustment joint so that it coincides with the surface 1, and rotate the adjustment screw to coincide with the surface 2. Finally, tighten the hex nut clockwise with the HF005 horseshoe sleeve (12).



Mounting member (4) panel assembly as shown



Install the handle (7), use the tool (9) to install the parts (5), (6) on the handle in turn, and make sure the handle is securely installed.

Cleaning

All surface should be cleaned using a clean damp cloth. No abrasive cleaning agents or materials should be used.

