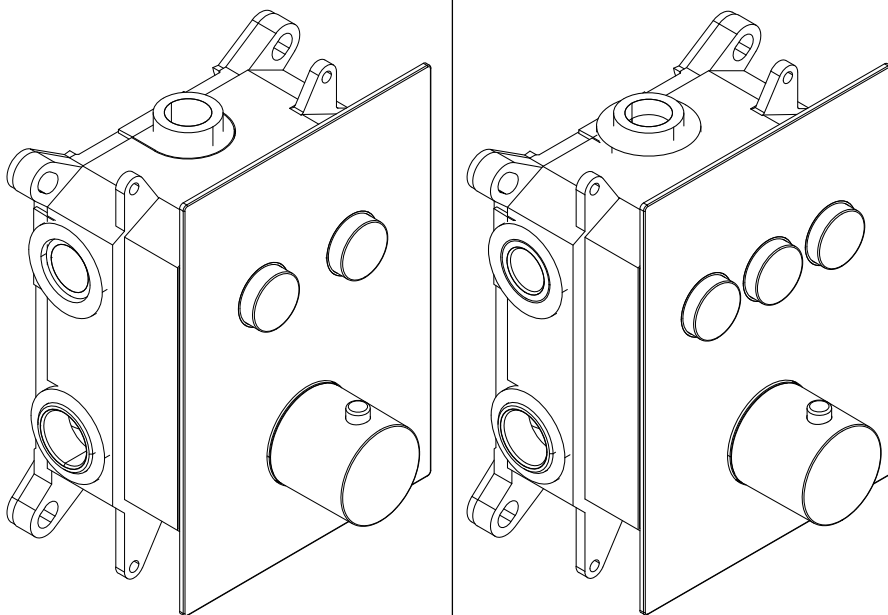


BAGNODESIGN

EXPERTLY CRAFTED BATHROOMS

Installation Guide



BDM-MLI-T302-XX/BDM-MLI-T303-XX
M-LINE DIFFUSION THERMOSTATIC SHOWER MIXER

A member of **SANIPEXGROUP**
www.sanipexgroup.com

IMPORTANT PLEASE READ

All products manufactured and supplied by BAGNODESIGN are fit for purpose as long as they are installed, used correctly, cleaned and receive regular maintenance in accordance with these instructions...

Remove all packaging and check the product for damage or missing parts before commencing with the installation.

Any alterations made to this product and its components may infringe product certification, infringe water regulations and invalidate the guarantee. The Installation must comply with all local/national water supply authority regulations/bylaws and building and plumbing regulations, therefore we strongly recommend that your product be installed by a reputable qualified trade's person.

PRODUCT LIFECYCLE

"The product LiveCyclele is the collective stages that a product goes through from its conception and design through to its ultimate disposal."

DISPOSAL GUIDANCE

The best way to ensure your Product has a long life is to follow the Care and Maintenance guides set by the Manufacture after purchase. This document can be found at www.sanipexgroup.com.

The life cycle of the product is not in correlation to the product Guarantee; the standards the products are manufactured or certified to (e.g. CE & WRAS) can exceed past the Guarantee duration. After the life cycle of the product is deemed complete by the end-user please follow the below to dispose of the items correctly...

Mixers (Taps):

If the mixers are no longer accepted due to mechanical use or aesthetic style, these can be disposed of at a registered Local Authority waste recycling center where the individual components can be sorted.

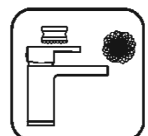
CLEANING CARE GUIDE

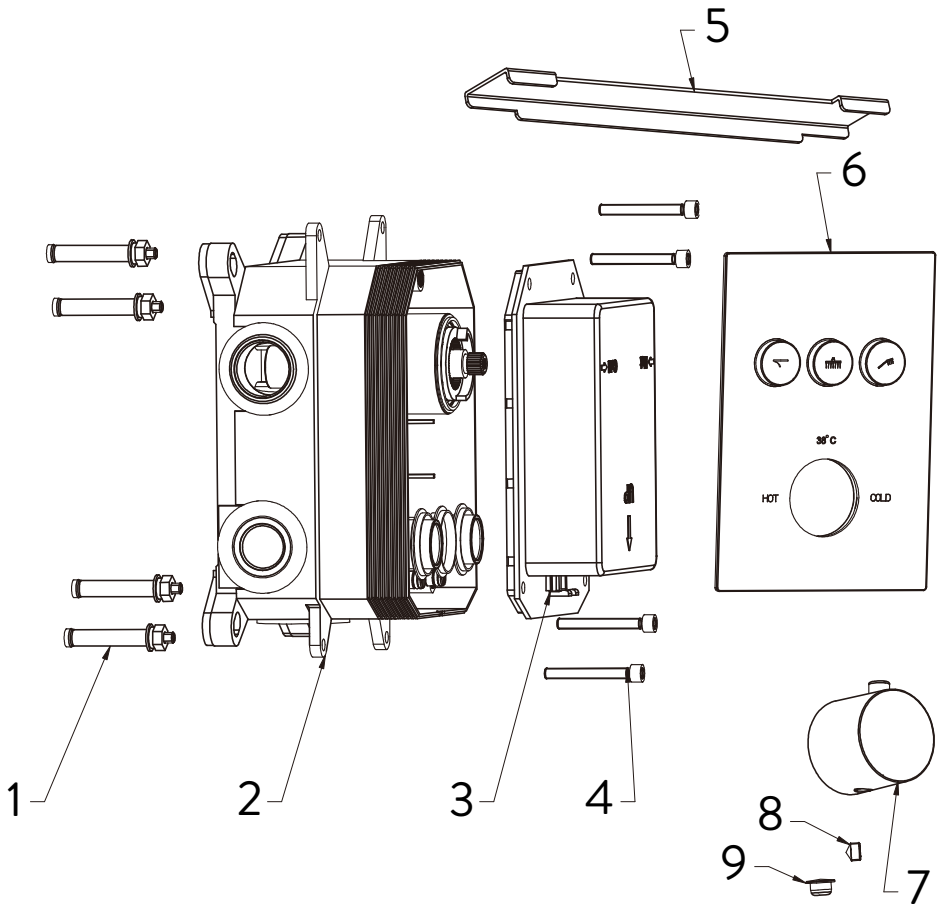
Only use a mild soap and water for cleaning.
Rinse with water to remove the mild soap solution.
We recommend the product is dried using a soft cloth after every use.

Never use any abrasive or strong cleaning products containing, bleaches, acids (hydrochloric, formic, phosphorus, chlorine or acetic), strong detergents, limescale remover, alcohol or dyes etc.

Never use abrasive cleaning pads, wire wool or microfibre cloths.
Never use cleaning equipment that may have been pre-used and contaminated with the above substances.

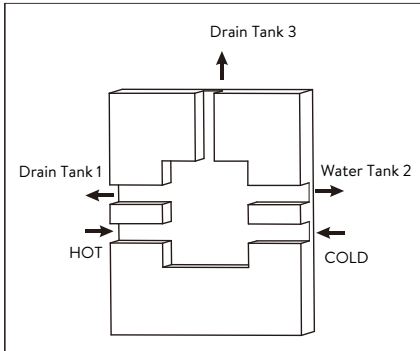
Never apply the cleaning product directly onto the finished surface.



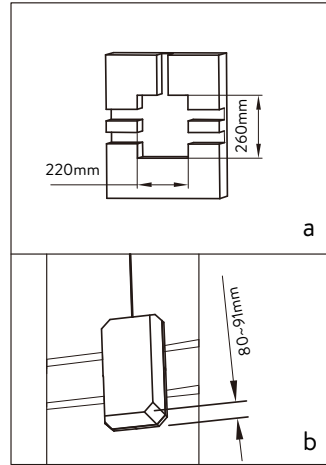


S.No	Part Name	Qty.
1	M6*60Expansion screw assembly	4
2	Buried wall box	1
3	Upper cover (with level)	1
4	M5*40 hexagon socket head cap screw	4
5	Adjustment reference plate	1
6	Square panel assembly	1
7	Thermostatic handle	1
8	M5*4 hex socket set screws	1
9	Φ 5.5 threaded hole rubber plug	1
10	4mm hex wrench	1
11	2.5mm hex wrench	1

PREPARATION BEFORE INSTALLATION

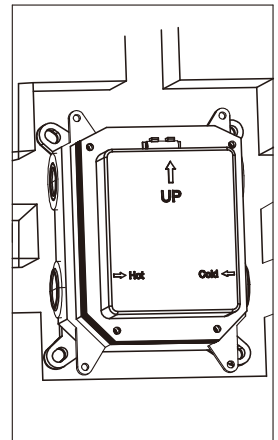
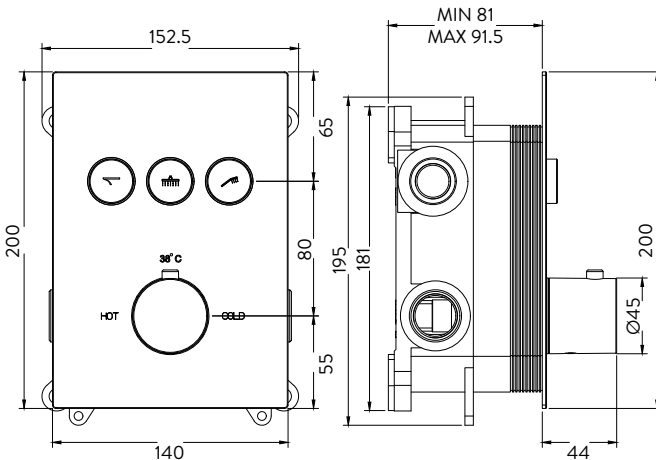


To install a single-function shower, hit a sink (outlet sink 3).
 To install a two-function shower, use two outlets (outlet 1 and outlet 2).
 Install a three-function shower, then play three out of the sink (outlet sink 1, sink 2, drain 3)

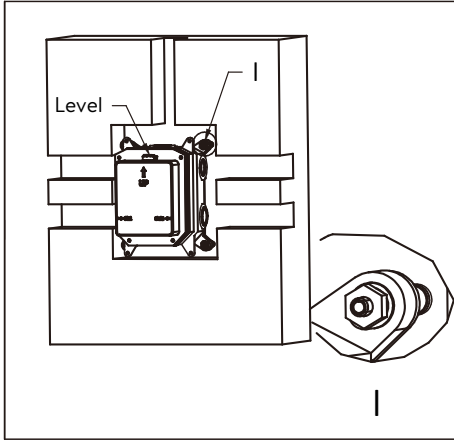


Recommended opening size:
 Figure a is the length and width of the hole,
 Figure b is the depth from the bottom of the hole to the finished wall

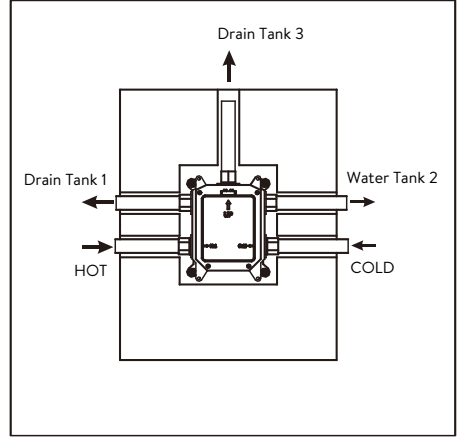
INSTALLING A WALL BOX



Install the three-function box. Install directly in the direction shown.

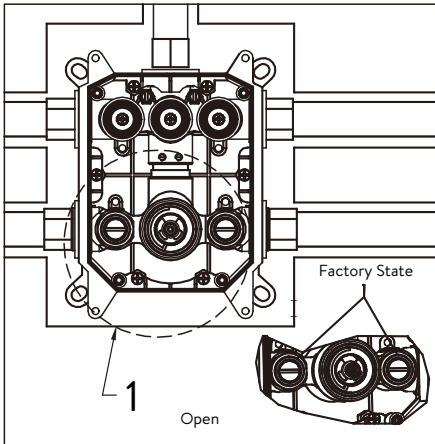


Secure the box to the wall with 4 expansion screws and tighten with the wrench to ensure that the box is parallel to the wall; observe the level on the box and note that the box is level, the ↑ indicator is facing up.

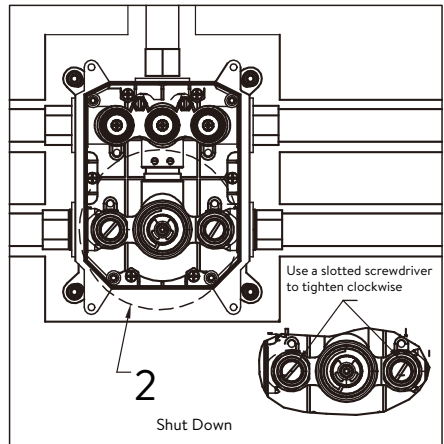


Connecting hot and cold inlet and outlet pipes
 Note: Before connecting, please first open the water source, flush the impurities in the pipeline, and then close the water source after washing.

SEAL TEST

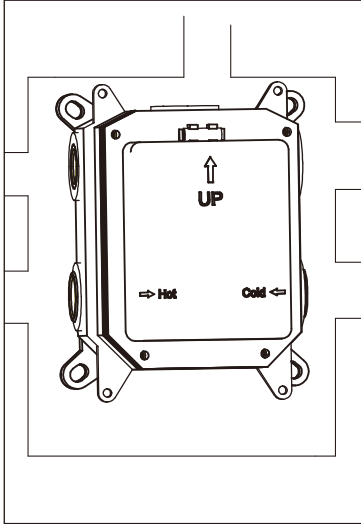


Secure the box to the wall with 4 expansion screws and tighten with the wrench to ensure that the box is parallel to the wall; observe the level on the box and note that the box is level, the ↑ indicator is facing up.

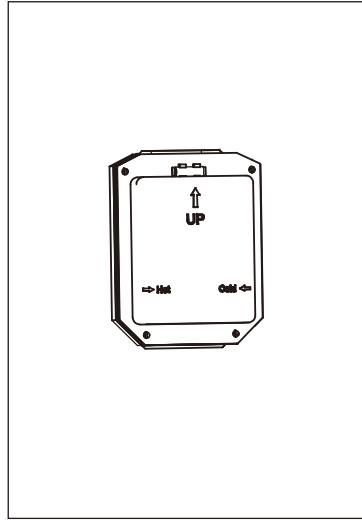


Connecting hot and cold inlet and outlet pipes
 Note: Before connecting, please first open the water source, flush the impurities in the pipeline, and then close the water source after washing.

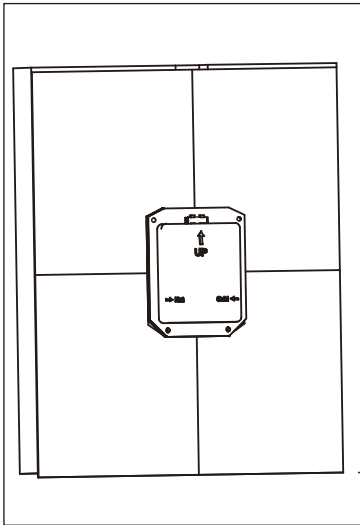
SEALED WALL



After filling the pressure test and ensuring that there is no leakage inside, fill the surrounding wall with cement.

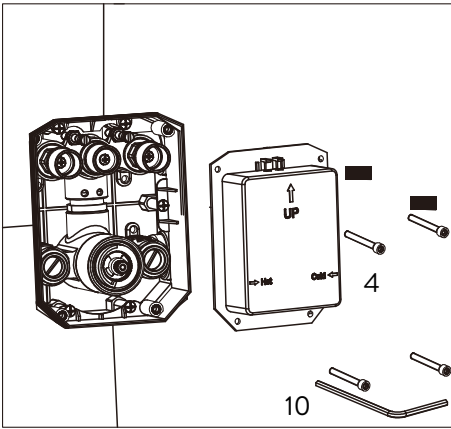


Cement filling effect.

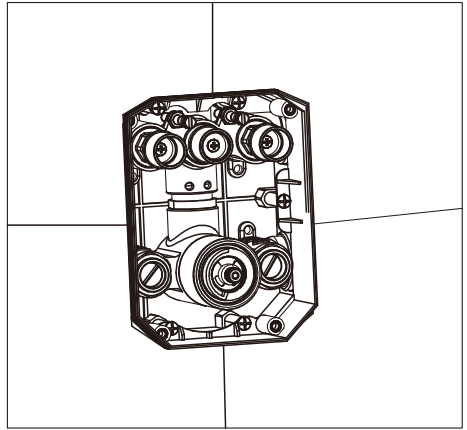


Stick the tiles and the tiles should match the box. After the tile is finished, wait for the main body to be installed

MOUNTING PANEL

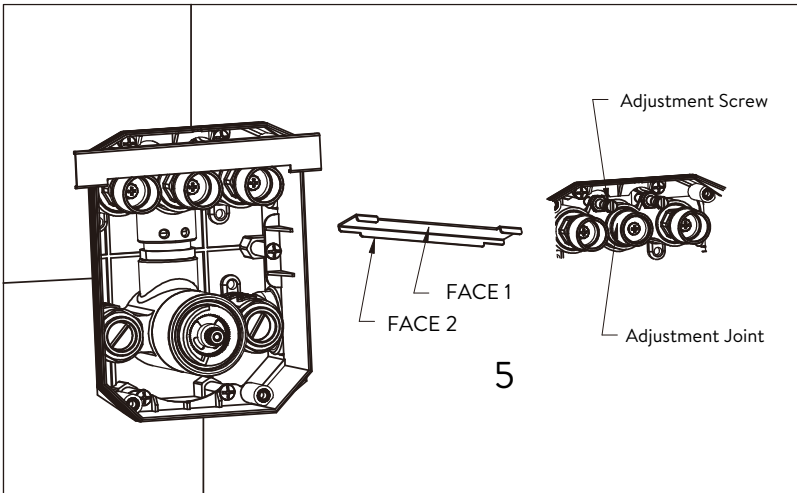


First turn off the water source, then use the tool (10) to unscrew the four screws (4) and remove the top cover.

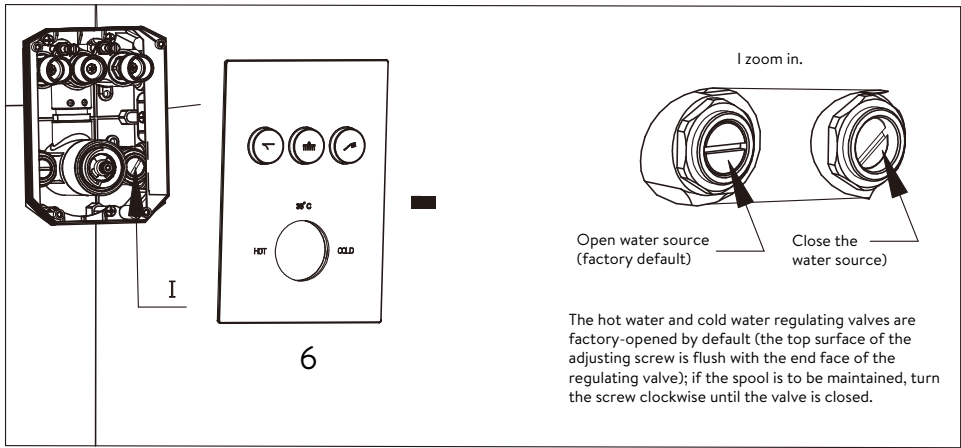


The tile plane is flush, the excess of the buried wall box is cut off, and the glass ring is coated on the entire circle of the box and the wall.

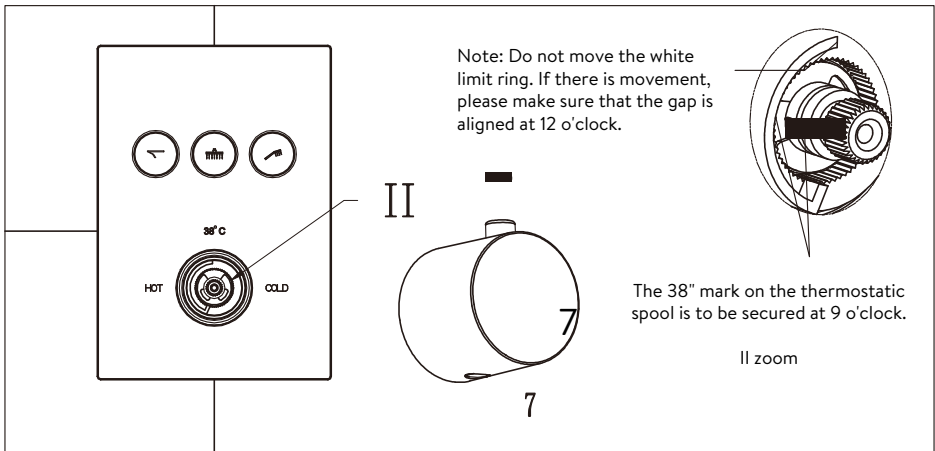
Note: 1: Be sure to cut flat to ensure subsequent sealing.



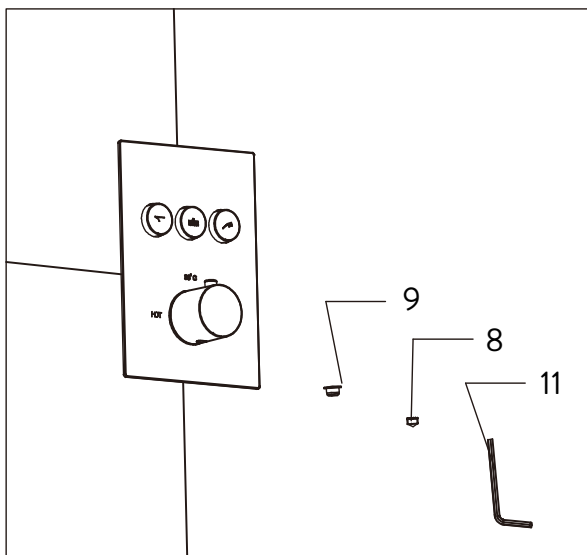
The Piece (5) is placed horizontally on the wall as shown in the figure, and the adjustment joint is rotated to coincide with the surface 1, and the adjusting screw is rotated to coincide with the surface 2.



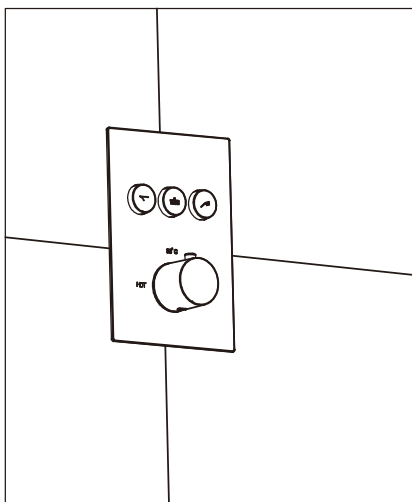
Mounting parts (6) panel assembly as shown.



Mounting (7) handwheel, note that the handwheel button points to the 38° C tick.



Use the tool (11) to install the parts (8), (9) on the handwheel in turn to ensure that the handwheel is securely installed.



After the installation is completed, the effect picture is as shown in the figure above. By pressing the switch button,

Confirm that the actual water discharge method corresponds to the icon on the button, and there is no jam when switching Thermostatic hand wheel convex. When the platform is facing at 12 o'clock, it is necessary to ensure that the outlet water temperature is $38 \pm 2^{\circ}\text{C}$.

BAGNODESIGN

EXPERTLY CRAFTED BATHROOMS

A member of SANIPEXGROUP
www.sanipexgroup.com