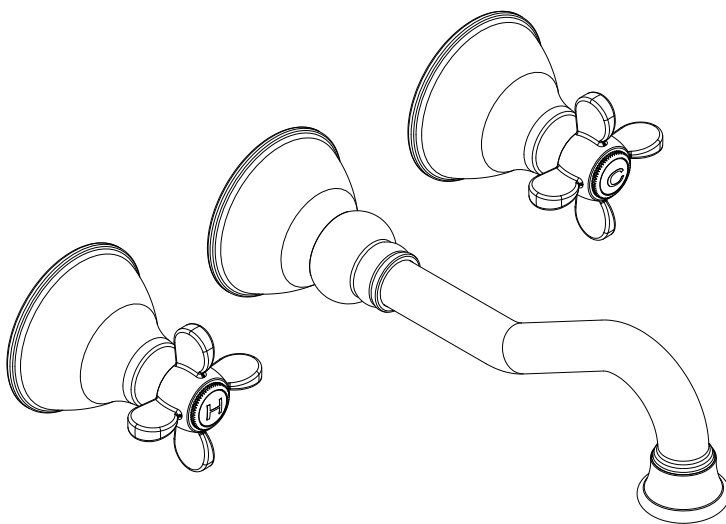


# BAGNODESIGN

EXPERTLY CRAFTED BATHROOMS

---

## Installation Guide



**BDM-PRI-309-XX**

CLASSIC CONCEALED 3 HOLE BASIN MIXER

A member of **SANIPEXGROUP**  
[www.sanipexgroup.com](http://www.sanipexgroup.com)

## IMPORTANT PLEASE READ

Remove all packaging and check the product for missing parts or damage before starting installation.

Any alterations made to this product and fittings may infringe water regulations and invalidate the guarantee.

The Installation must comply with all Local/National Water Supply Authority Regulations/Byelaws and Building and Plumbing Regulations.

We strongly recommend that your product be installed by a reputable qualified trade's person.

### **General Installation:**

To the Installer, please read and follow this instruction carefully, as the guarantee is only valid if the product is installed as directed.

Don't rush, read the instructions first and run through them before you begin. Keep fittings together to avoid loss. Do not over tighten screws or bolts.

If the product is covered with polyethylene protective film, do not remove until installation is complete to grant maximum protection. However, remove film where any two surfaces will be in permanent contact.

Before making any inlet pipe connections, all supply pipes MUST be thoroughly flushed to remove debris.

The fitting of an in-line filter is recommended, Failure to do this could result in damage to the cartridge and components or low flow from the mixer.

The fitting of isolation/stop valves on the inlet feeds is advised for ease of maintenance.

Please leave this installation manual with the end user once the product has been installed.

### **Product Aftercare:**

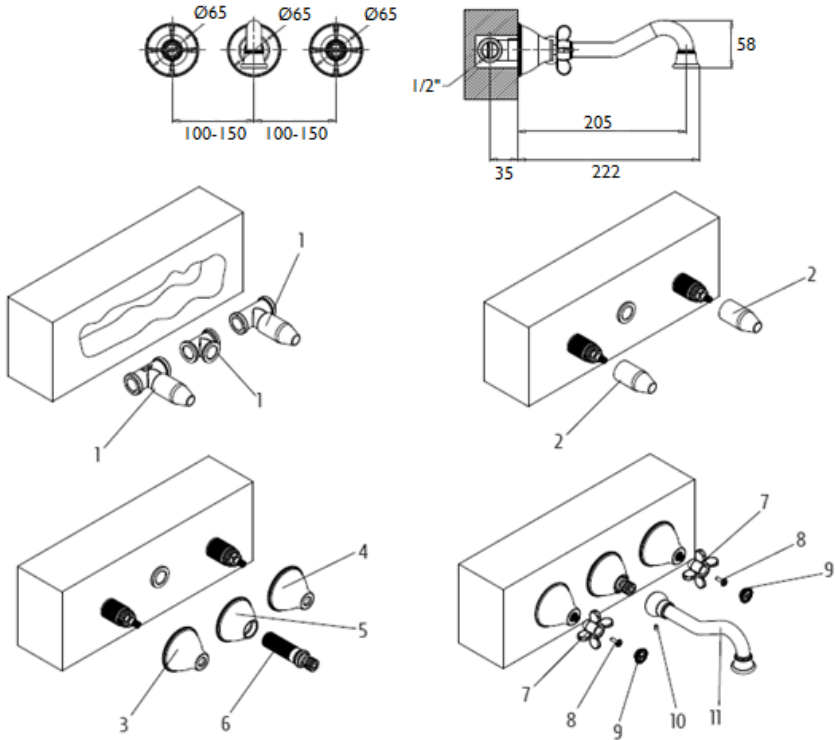
We recommend cleaning with a soft damp cloth and mild soap solution. Do not use cream cleaners or cleaners containing bleach.

Do not scrub or scour.

Do not use abrasive cleaning agents.

Do not use solvent based cleaners.

### 3-hole Concealed Basin Mixer



Assemble the parts as per the diagram.

Ensure that the mains water supply is turned off before installation.

Pre-assemble the 2 mixer housings (1) and outlet connection (1) to the desired width.

Install the assembly at a depth so that the finished surface is 35mm from the center of the water inlet. Connect the Hot and Cold water supplies to the mixer and cap off the outlet connection, pressure test to check for leaks\*. Remove the cap and place on the protection covers (2).

Once the surrounding finishes have been applied (Tiles/Marble etc.) remove the protection covers (2) and discard.

Screw in the spout connector (6) then screw on the cover shrouds (3,4&5) until secure against the wall surface. Slide the handle (7) on to the cartridge pin and secure with the screw (8), then push on the cover cap (9). Slide the spout (11) onto spout connector (6), lubricant can be used on the rubber seals and secure with grub screw (10)

Open the water supplies and re-test for leaks.

**\* Before making any inlet pipe connections, all supply pipes MUST be thoroughly flushed to remove debris. Failure to do this could result in damage to the cartridge and components or low flow from the mixer\***

# BAGNODESIGN

EXPERTLY CRAFTED BATHROOMS

---

---

---

---

---

---

---

---

---

---

---

---

A member of SANIPEXGROUP  
[www.sanipexgroup.com](http://www.sanipexgroup.com)