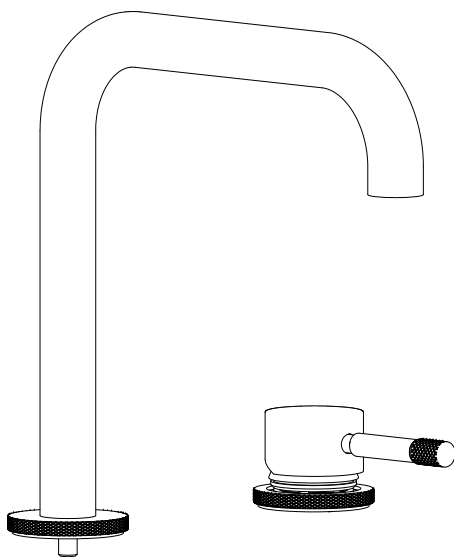


BAGNODESIGN

EXPERTLY CRAFTED BATHROOMS

Installation Guide



BDM-REV-304-XX

DECK MOUNTED 2 HOLE BASIN MIXER

A member of **SANIPEXGROUP**
www.sanipexgroup.com

GENERAL INSTALLATION:

To the installer, please read and follow these instructions carefully, as the guarantee is only valid if the product is installed as directed.

Don't rush, read the instructions first and run through them before you begin, keep the fittings together to avoid loss, do not overtighten screws or bolts.

If the product is covered with polythene protective film, do not remove until the installation is complete to grant maximum protection. However, remove film where any two surfaces will be in permanent contact. If tools are required to be used on a 'finished' surface, please place a cloth or similar over the area to protect the item from unnecessary scratching.

Before making any inlet pipe connections, all supply pipes **MUST** be flushed to remove debris such as solder, swarf, plastics and other building/construction substances.

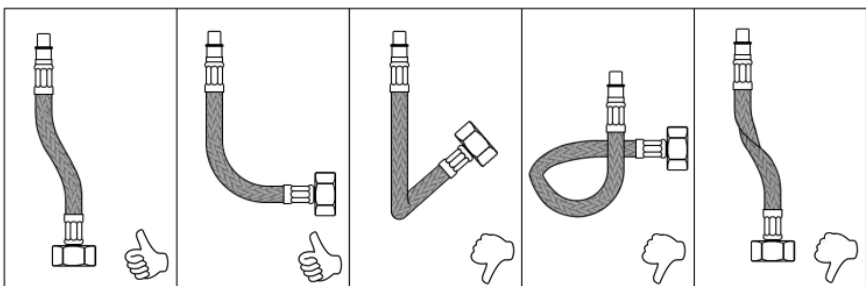
The fitting of an in-line filter is recommended, failure to do this could result in damage to the cartridge and its components, it could also result in poor performance water flow from the outlet.

The fitting of isolation/stop valves on the inlet feeds is advised for ease of maintenance.

On fittings such as faceplates a small amount of lubrication is recommended on the rubber seals for ease of fitting.

CONNECTIONS:

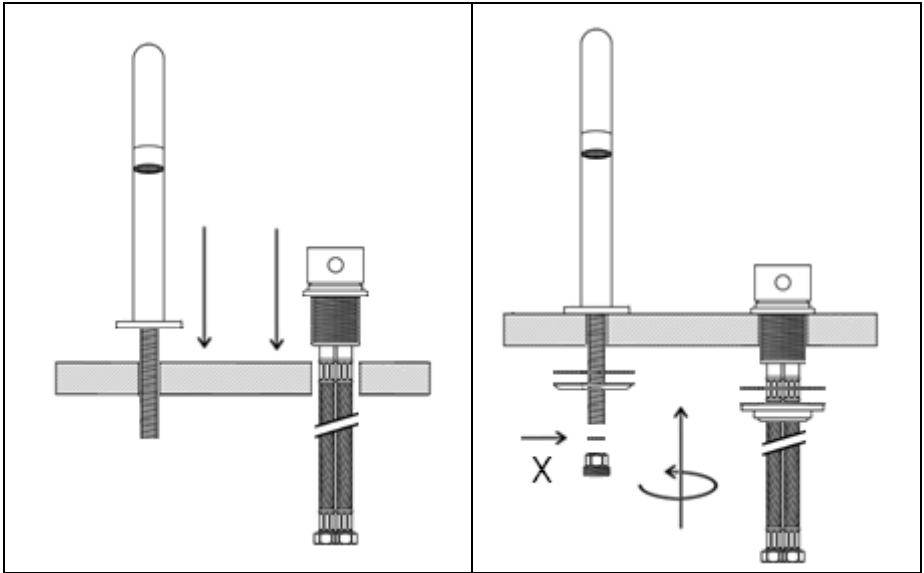
Flexible inlet pipes must be connected carefully to the plumbing system so that they do not **bend**, **twist** or **kink**. Failure to do so can result in poor performance from the mixer and possible failure of the hose leading to bursting and leakage.



Pipework to concealed mixers must be installed in accordance to local regulations and is recommended to be insulated to prevent heat loss, prevent freezing and reduce condensation.

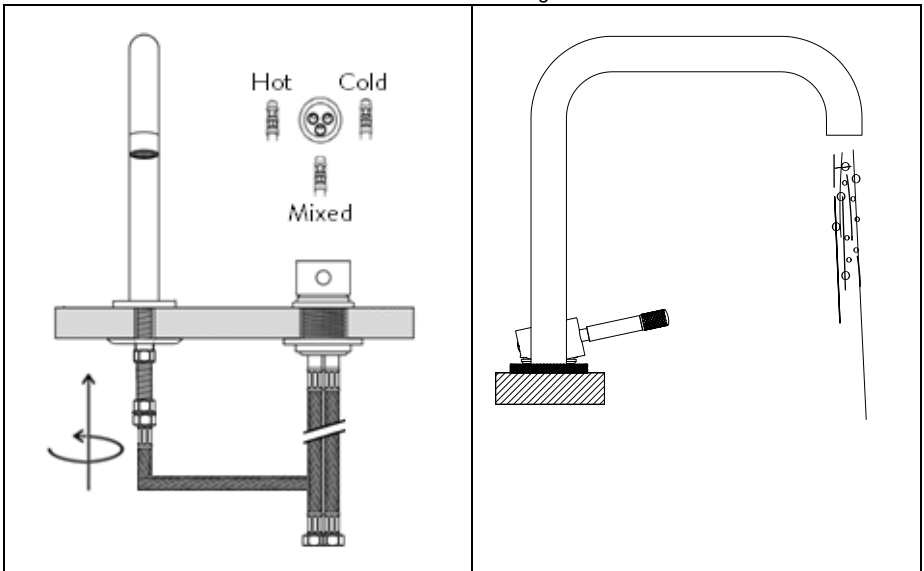
Hot and cold operating pressures should be kept as balanced as possible in order to maintain maximum efficiency.

TWO HOLE BASIN MIXER



Feed the two pre-assembled components through the holes in the basin/countertop.

Slide on the washers and tighten the back-nuts, Install the spout water connection nut making sure to insert the fibre washer **X**.



Install the mixed water flexible to the spout nut connection.

Connect the flexi-pipes to the isolation valves. Turn on the water, run the mixer and check for leaks.

BAGNODESIGN

EXPERTLY CRAFTED BATHROOMS
