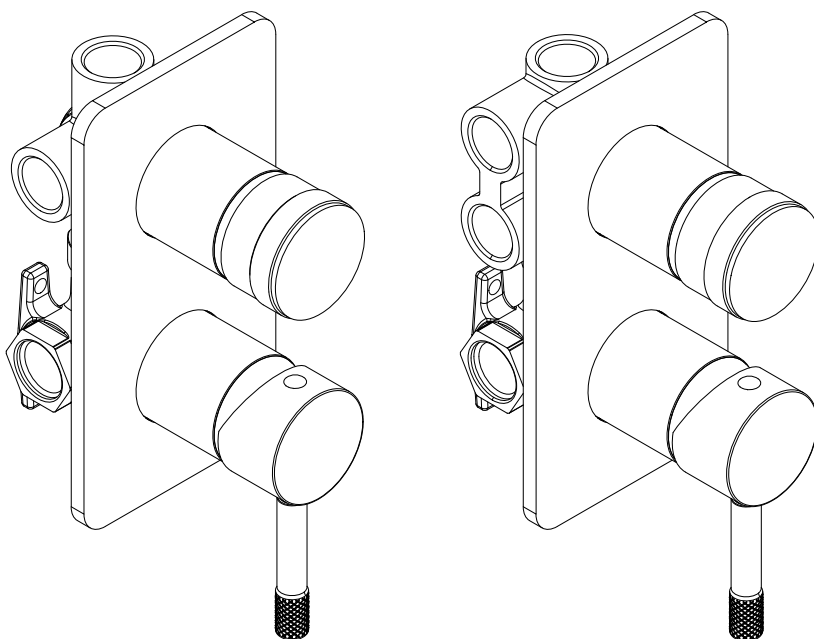


BAGNODESIGN

EXPERTLY CRAFTED BATHROOMS

Installation Guide



BDM-REV-413-414-XX

REVOLUTION CONCEALED SHOWER MIXER WITH 3 & 4 WAY DIVERTER

A member of **SANIPEXGROUP**
www.sanipexgroup.com

IMPORTANT PLEASE READ

Remove all packaging and check the product for missing parts or damage before starting installation.

Any alterations made to this product and fittings may infringe water regulations and invalidate the guarantee.

The Installation must comply with all Local/National Water Supply Authority Regulations/Byelaws and Building and Plumbing Regulations.

We strongly recommend that your product be installed by a reputable qualified trade's person.

General Installation:

Please note this product can require 2 or more persons to lift and manoeuvre into position.

To the installer: Please read and follow this instruction carefully, as the guarantee is only valid if the product is installed as directed.

Don't rush, read the instructions first and run through them before you begin. Keep fittings together to avoid loss. Do not over tighten screws or bolts.

If the unit is covered with polyethylene protective film, do not remove until installation is complete to grant maximum protection. However, remove film where any two surfaces will be in permanent contact.

Verify that all dimensions on the plan are the same as the ones of the product.

Please leave this installation manual with the end user once the product has been installed.

Product Aftercare:

We recommend cleaning with a soft damp cloth and mild soap solution.

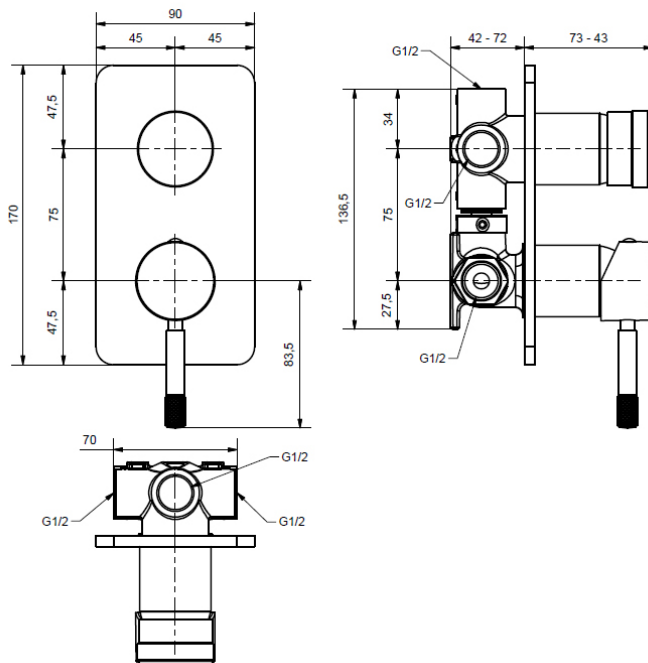
Do not use cream cleaners or cleaners containing bleach.

Do not scrub or scour.

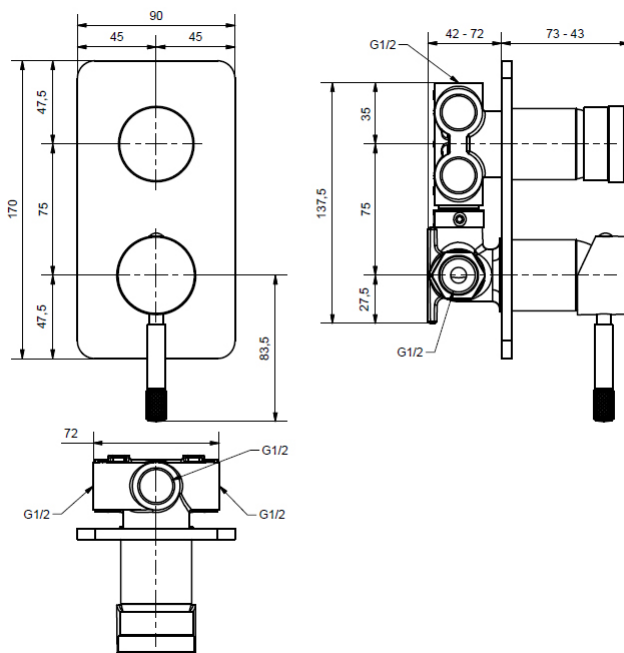
Do not use abrasive cleaning agents.

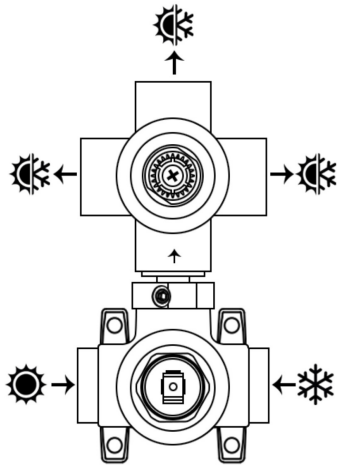
Do not use solvent based cleaners.

BDM-REV-413-XX

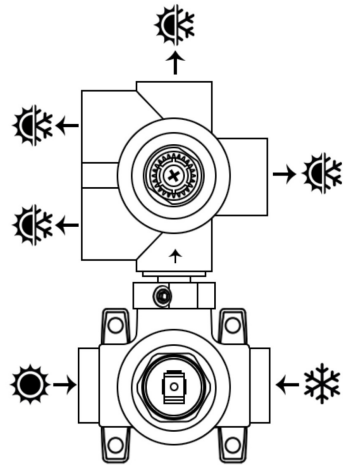


BDM-REV-414-XX



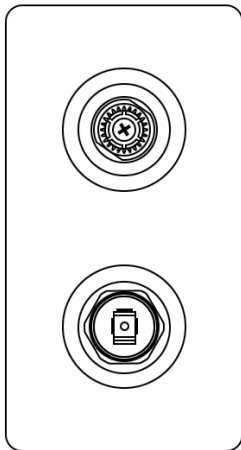


3 OUTLETS

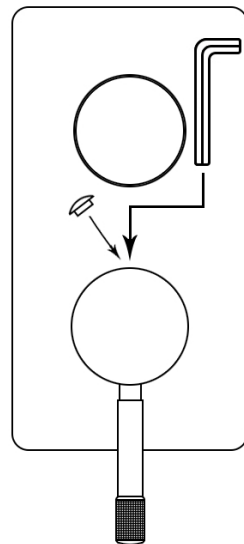


4 OUTLETS

Install the concealed part at a depth so that the finished surface is between the Min/Max markings shown above. Install the cold water supply from the right and the hot water supply from the left as per the above (if possible, a pressure test).



Apply the surrounding finishes, fit the face-plate onto the valve body.



Fix the diverter knob and install the handle onto the cartridge pin and secure by tightening the grub screw. Turn on the water and test the mixer.

