

# BAGNODESIGN

EXPERTLY CRAFTED BATHROOMS

---

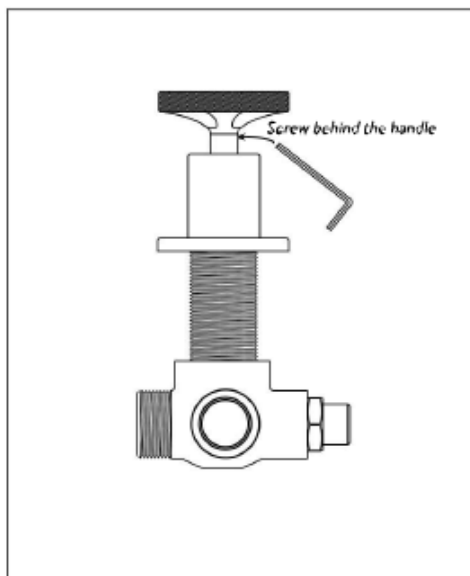
## Installation Guide



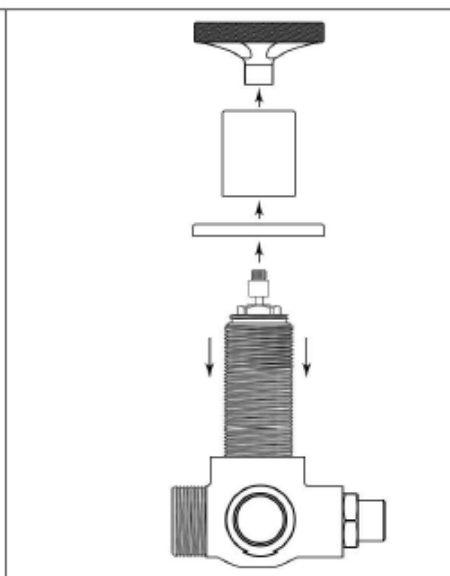
**BDM-REV-477-XX**

REVOLUTION PAIR OF DECK VALVES

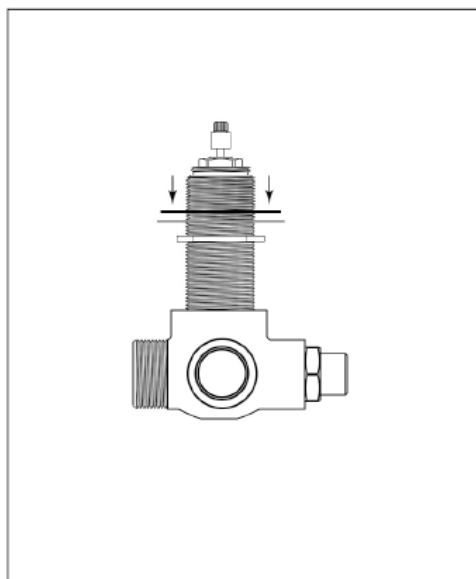
A member of **SANIPEXGROUP**  
[www.sanipexgroup.com](http://www.sanipexgroup.com)



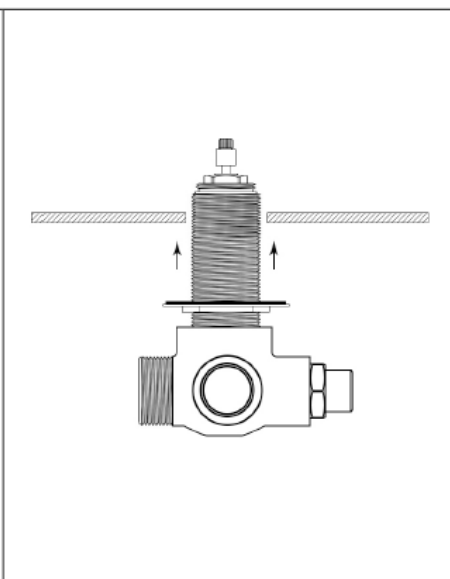
Installation of diverter.  
Loosen the screw (behind the handle knob) with an allen key.



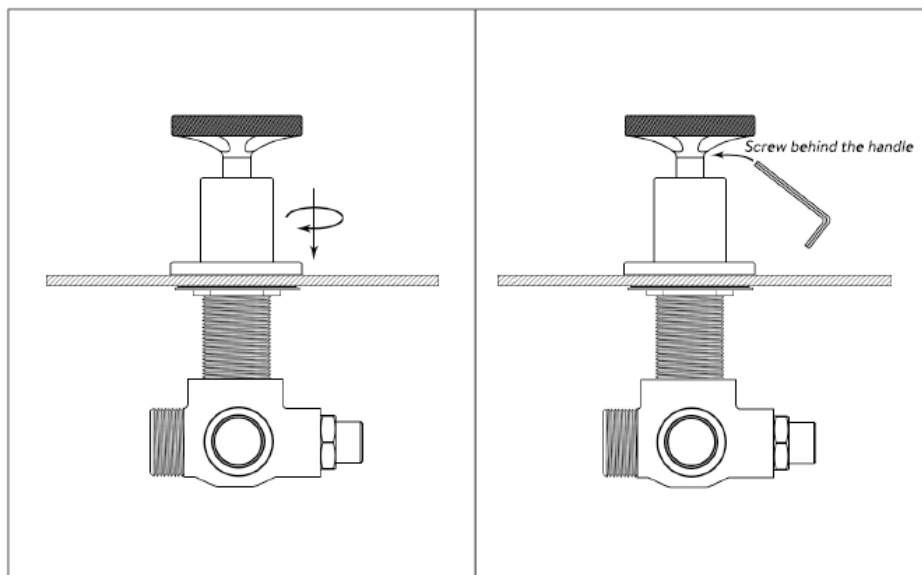
Separate the diverter knob, base plate and shroud from the valve body.



Screw the back nut, metal and rubber 'O' rings down the valve body.



Push the diverter assembly up through the bath/countertop from underneath.



First screw the base plate onto the diverter top, then from underneath tighten the back nut up to secure.

Re-install the diverter knob.

