

BAGNODESIGN

EXPERTLY CRAFTED BATHROOMS

Installation Guide



BDM-SES-309-X-XX
SESTRIERE CONCEALED 3 HOLE BASIN MIXER

A member of **SANIPEXGROUP**

Please leave these instructions with the customer

TECHNICAL SPECIFICATIONS

Minimum hydraulic pressure: **0,5 bar** Maximum hydraulic pressure: **10 bar** Recommended working pressure: **from 1 to 5 bar**

Tested pressure: **16 bar**

Temperature of inlet hot water: **80°C** Suggested temperature (Energy sa-ving): **60°C**

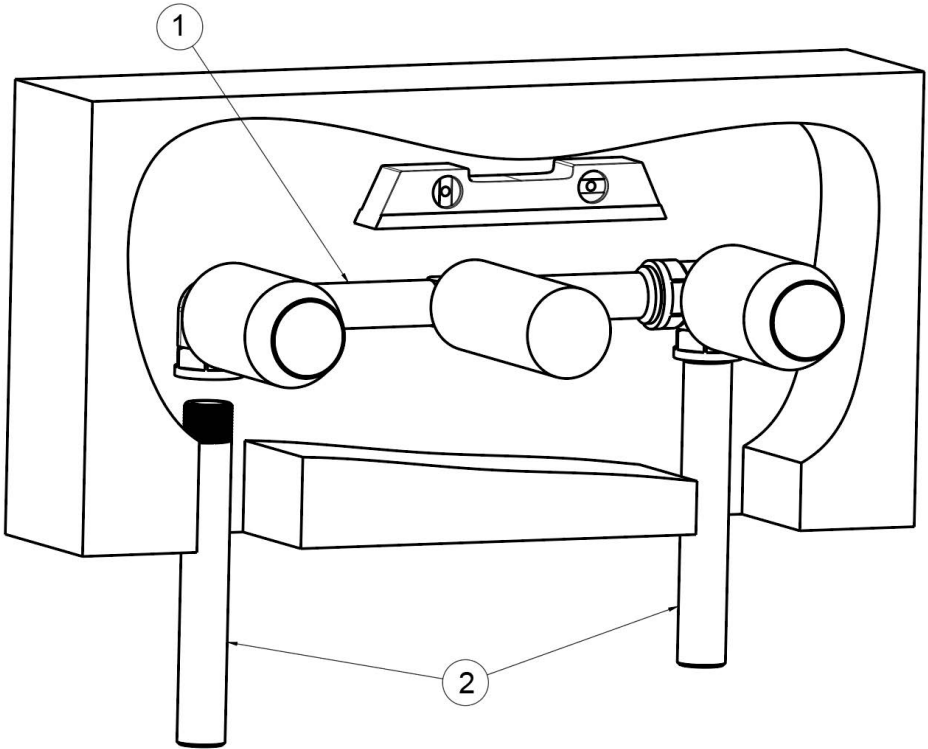
Functioning automatic diverter:
≥ 0,5 bar (dynamic pressure)

It is very important that hot and cold water temperature will be balanced as much as possible to grant the optimum performance of the mixer.

If pressure is higher than 5 bar it is advisable to install a water pressure reducer. The employ of these mixers with low pressure hot water accumulators is not suitable.

SCHAFT INSTALLATION

Fig. 1



Pierce a proper hole in the wall and fit the body (1) with the protection parts, be careful of the limits (MIN-MAX) onto the protection itself. Suggested the use of the spirit level for a proper alignment between the body (1) and the wall. Connect the inlet hot/cold water tubes (2) to the body (1).

Fig. 2

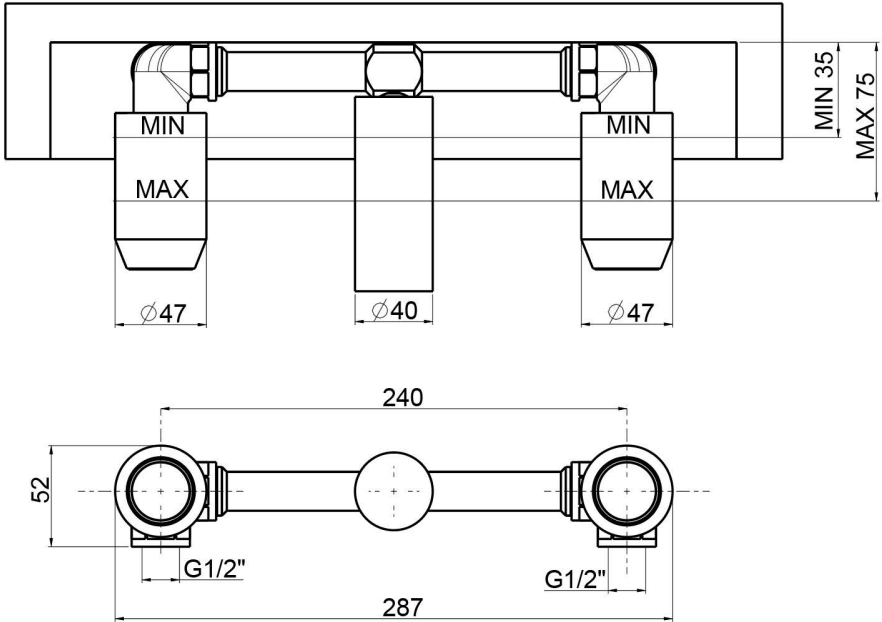
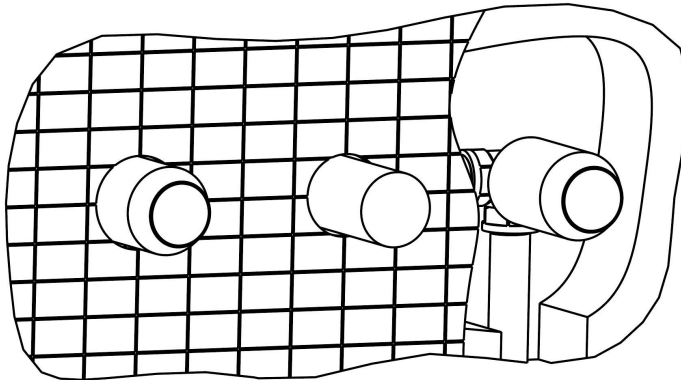
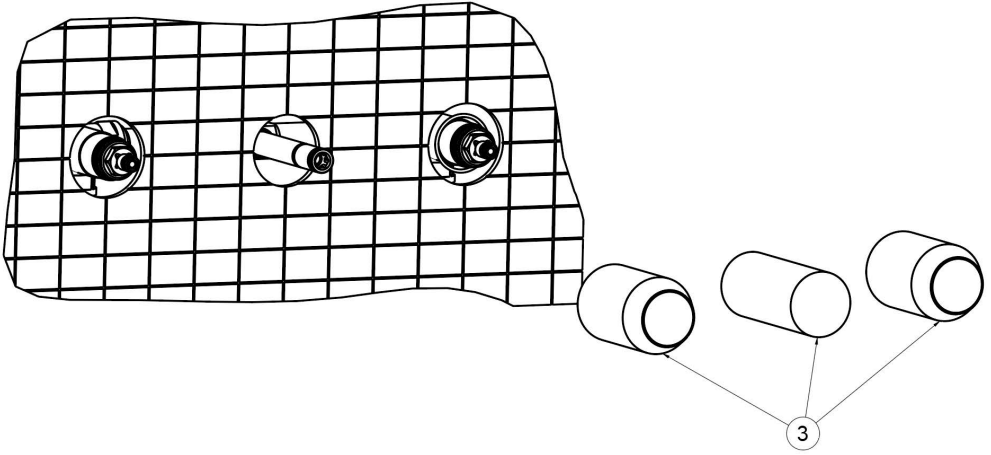


Fig. 3



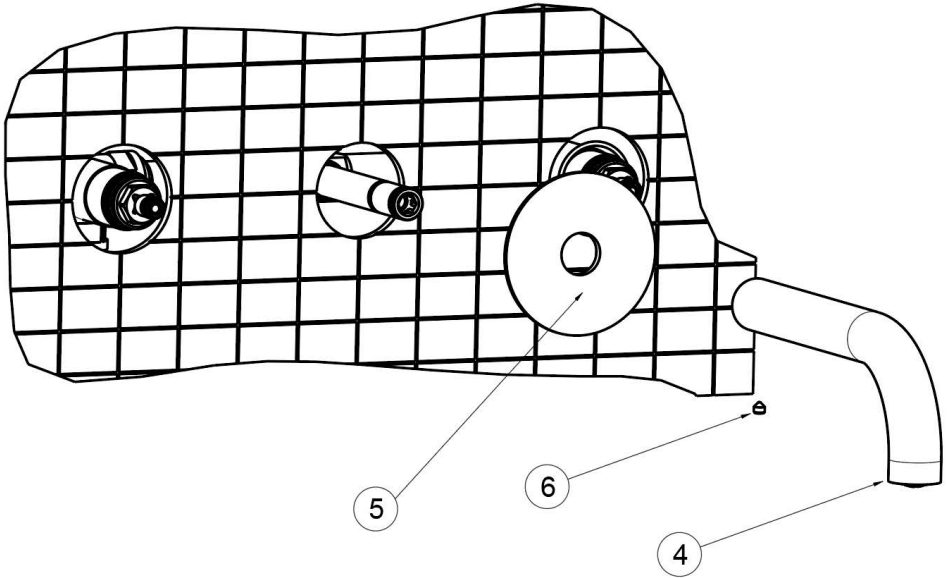
Proceed with the plastering and the final covering always giving a look to the limits (MIN-MAX).

Fig. 4



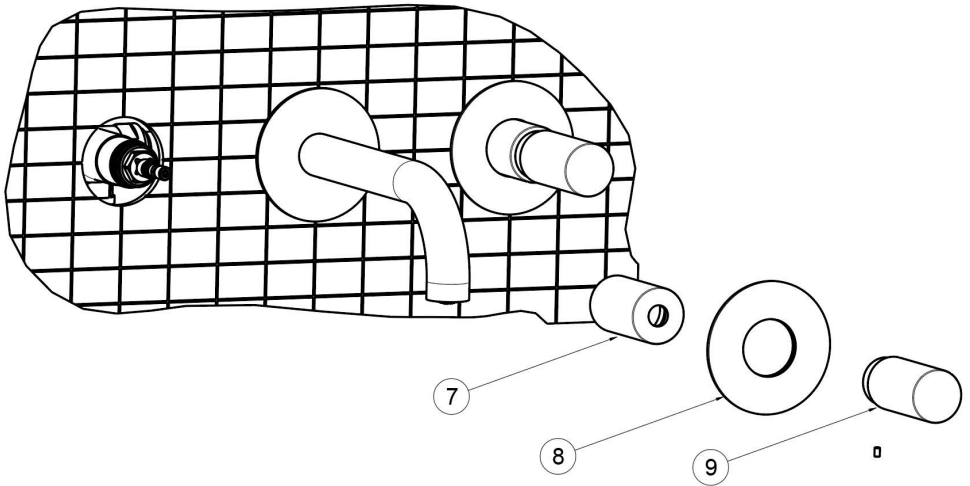
Unthread the protection parts (3).

Fig. 5



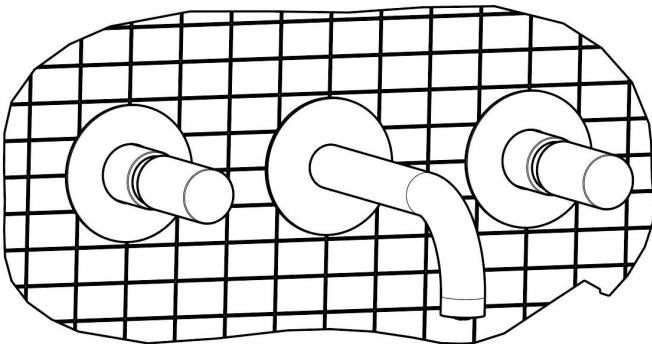
Install the spout (4) with its base ring (5) toward the final covering and secure with the grub screw (6).

Fig. 6



Finally fit the cup (7) with its washer (8) and screw the cap and the handle (9).

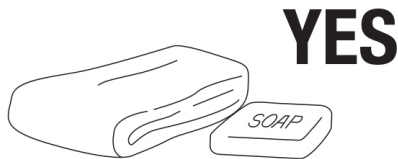
Final installaton



CLEANING

Use soft cloth, soapy solution and water for regular care. Wipe with a dry cloth.

Avoid the use of abrasives or solvents, which damage the surface. Damage caused by inappropriate treatment by the user, is not covered by our guarantee.



BAGNODESIGN

EXPERTLY CRAFTED BATHROOMS

Oakwell Way, Birstall
Leeds, England WF9 17LU

A member of **SANIPEXGROUP**