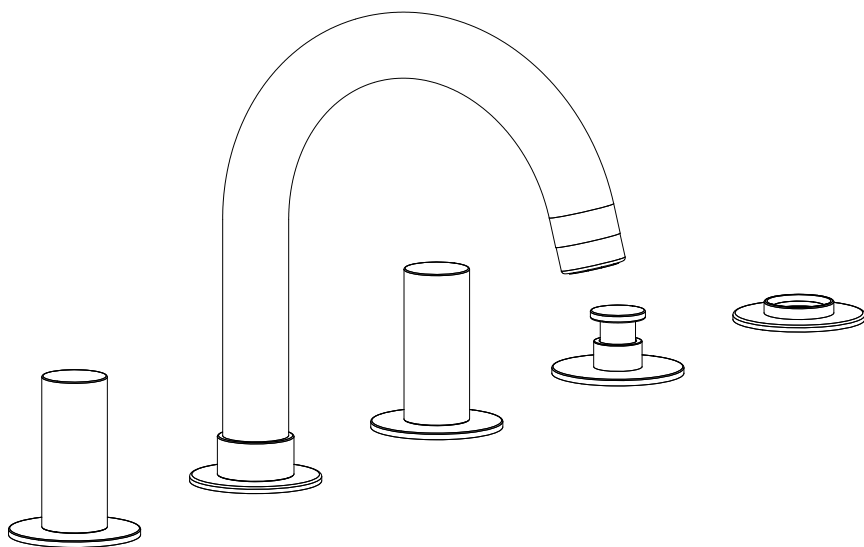


BAGNODESIGN

EXPERTLY CRAFTED BATHROOMS

Installation Guide



BDM-SES-453-XX-XX
SESTRIERE 5 HOLE BATH/SHOWER MIXER WITH BLACK
MARBLE HANDLE WITHOUT HAND SHOWER

A member of **SANIPEXGROUP**

Please leave these instructions with the customer

TECHNICAL SPECIFICATIONS

Minimum hydraulic pressure: **0,5 bar** Maximum hydraulic pressure: **10 bar** Recommended working pressure: **from 1 to 5 bar**

Tested pressure: **16 bar**

Temperature of inlet hot water: **80°C** Suggested temperature (Energy sa-ving): **60°C**

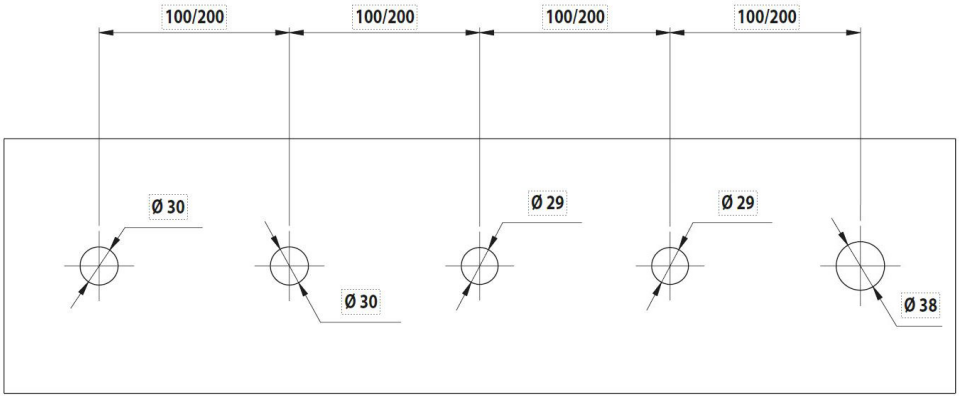
Functioning automatic diverter:
≥ 0,5 bar (dynamic pressure)

It is very important that hot and cold water temperature will be balanced as much as possible to grant the optimum performance of the single-lever mixer.

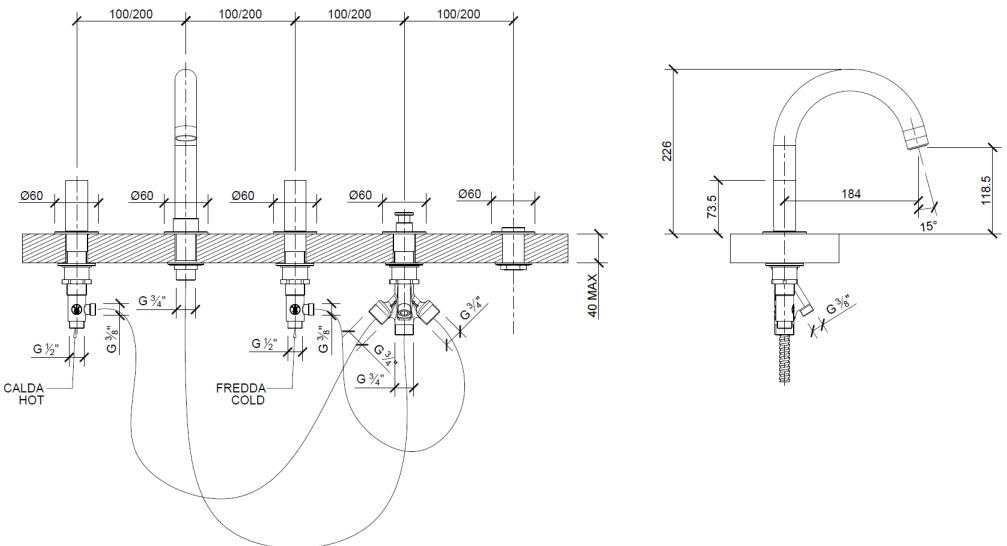
If pressure is higher than 5 bar it is advi-sable to install a water pressure reducer. The employ of these mixers with low pressure hot water accumulators is not suitable.

**IT IS COMPULSORY TO CREATE AN INSPECTION AREA
FOR ANY FUTURE MAINTENANCE OF THE MIXER.**

DRILLING SCHEME FOR DECK MOUNTED TRADITIONAL BATH TAP



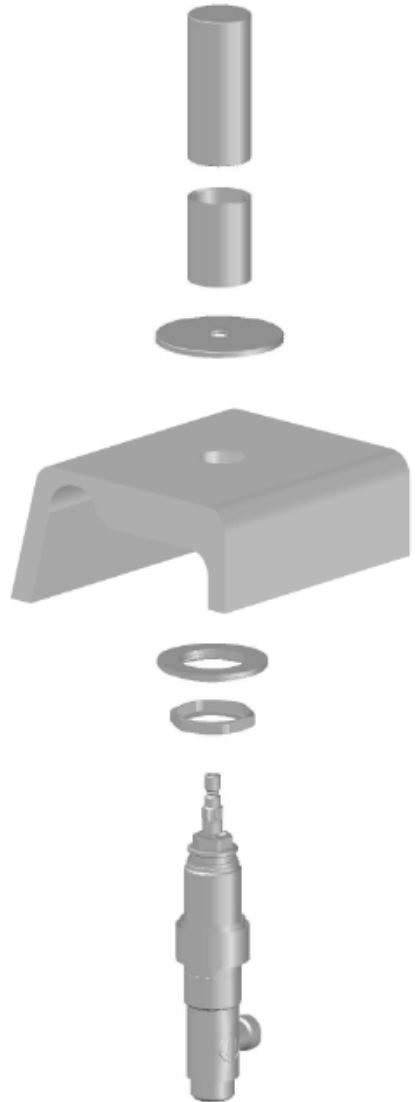
DRILLING SCHEME FOR DECK MOUNTED TRADITIONAL BATH TAP



CONTROL

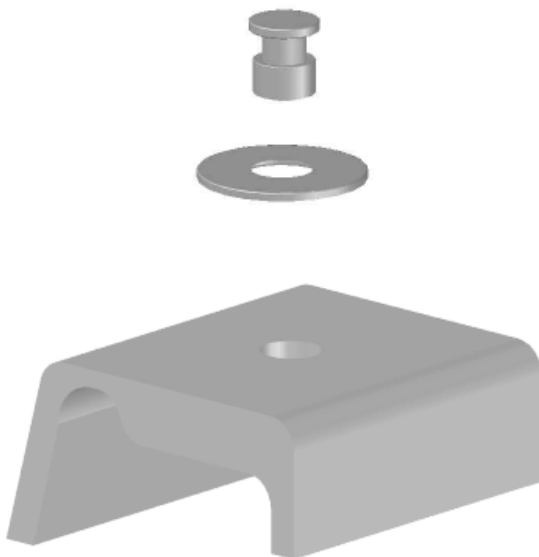
Place the upright by screwing the lock-nut the washer and the gasket to adjust the locking according to the bathtub thickness.

Screw the same parts in the upper side of the bathtub, then place the washer , screw the cap onto the upright body then fit the handle. Secure with the screw and insert the plate.



DIVERTER

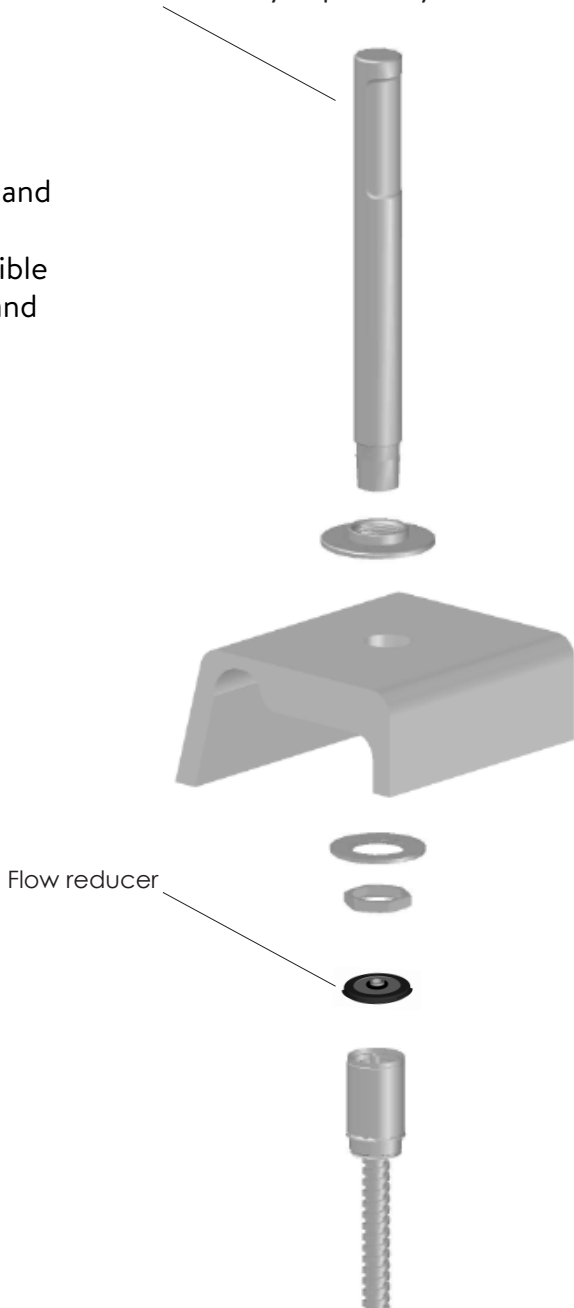
Screw onto the diverter body the lock-nut the washer and the gasket. Adjust the locking according to the bathtub thickness, then fit the diverter body upwards inside the bathtub hole. Insert the cap with its OR and the knob. Now it is possible to register properly the cup by screwing or unscrewing it not to see the rod inside the diverter anymore. After this stage secure the set by locking the lock-nut at the bottom side of the bath plan.



Hand shower not include in the box - by separately

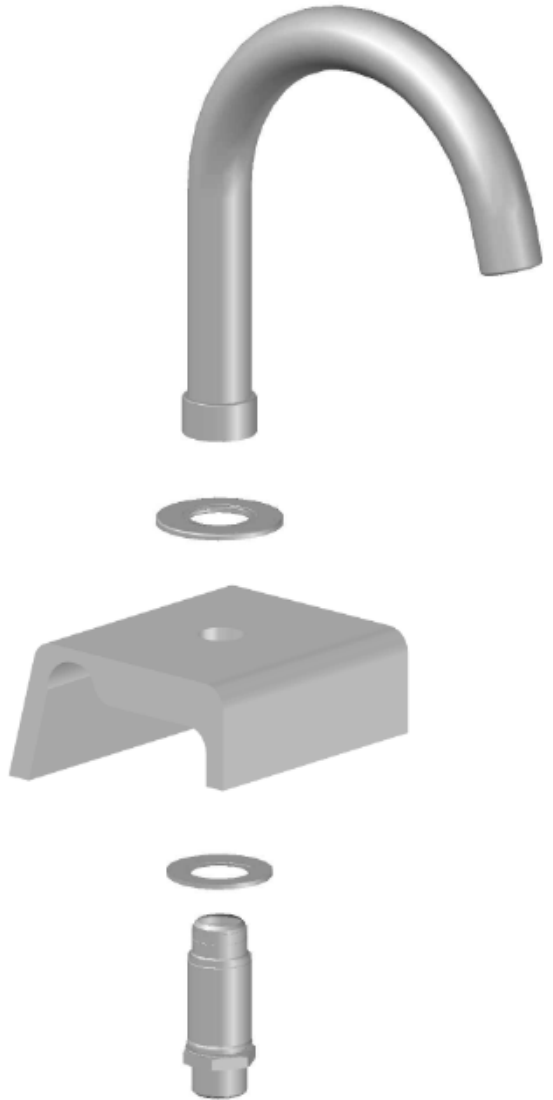
HAND SHOWER

Fit the shower holder and fix with the lock-nut ,connect the fle-xible hose and screw the hand shower.



FILLER SPOUT

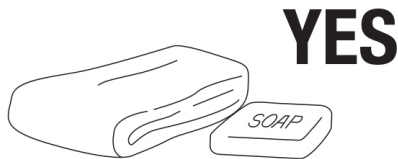
Place the filler set by fitting the washer with its OR, then secure with the lock-nut the lock-washer and the gasket.



CLEANING

Use soft cloth, soapy solution and water for regular care. Wipe with a dry cloth.

Avoid the use of abrasives or solvents, which damage the surface. Damage caused by inappropriate treatment by the user, is not covered by our guarantee.



BAGNODESIGN

EXPERTLY CRAFTED BATHROOMS

Oakwell Way, Birstall
Leeds, England WF9 17LU

A member of SANIPEXGROUP