

BAGNODESIGN

EXPERTLY CRAFTED BATHROOMS

Installation Guide

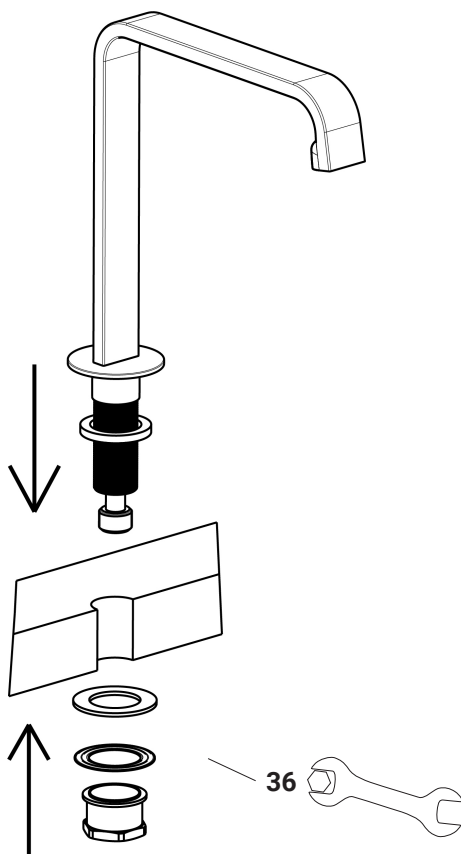


BDM-SES-S303S-XX

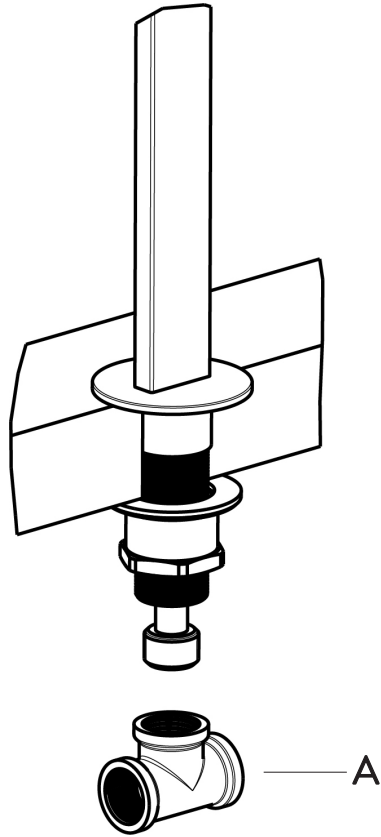
SESTRIERE SQUARE 3 HOLE SMOOTH BODIED BASIN MIXER

A member of **SANIPEXGROUP**
www.sanipexgroup.com

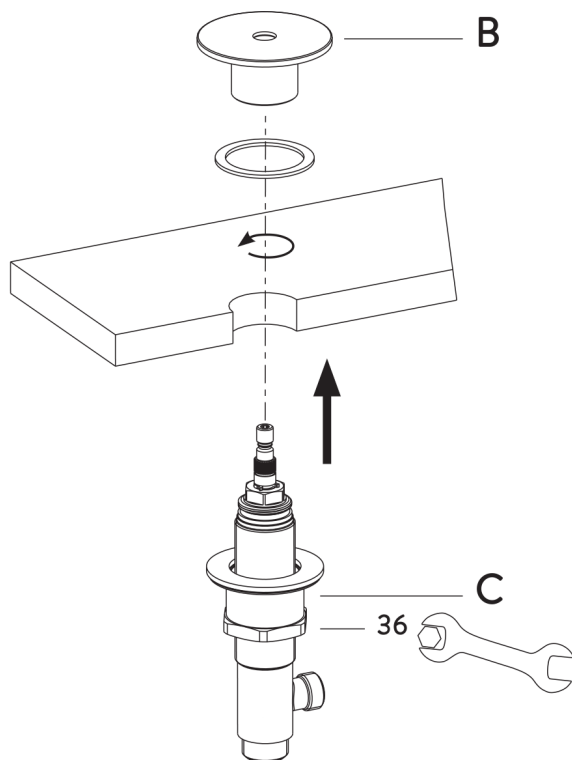
INSTALLATION



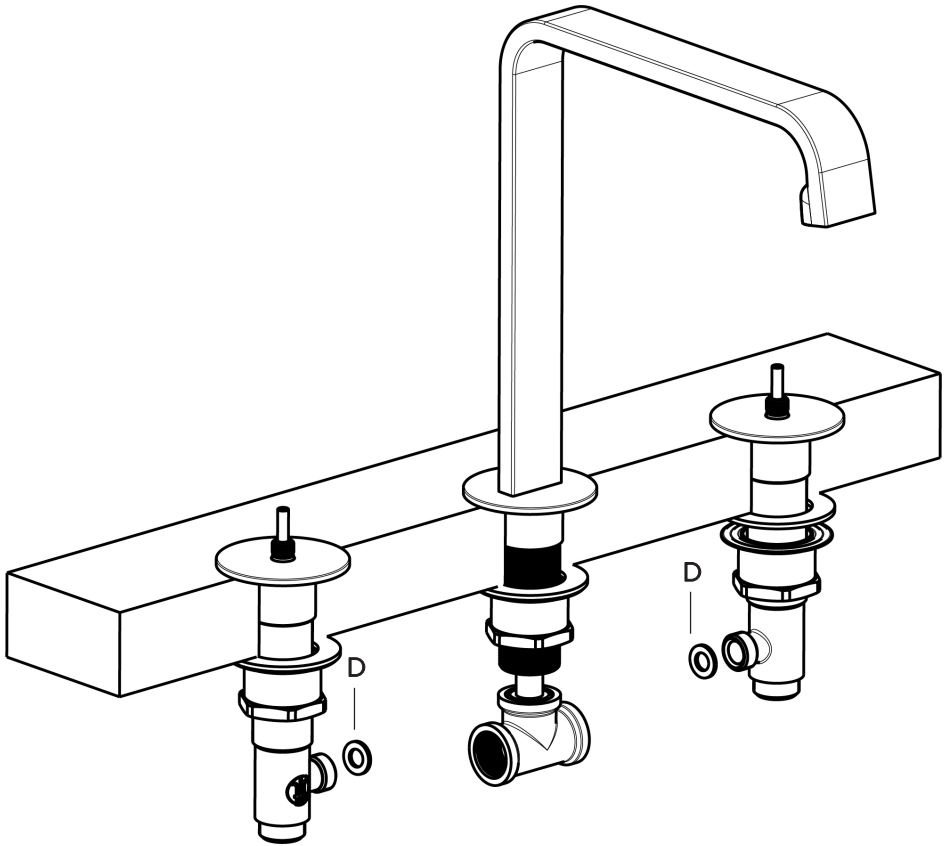
Fit the spout fixing the set with the lower fixing nut and gaskets.



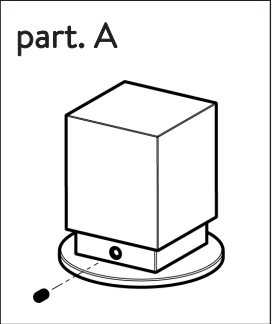
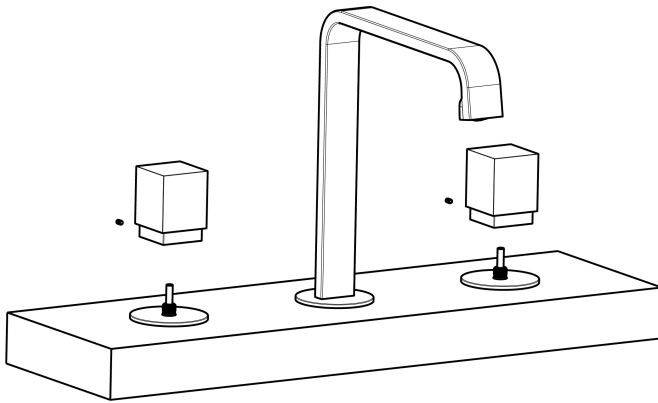
Fit the T connection (A) by screwing it to the lower side of the spout. We suggest to adjust it in the right position to fit then the two taps at its sides.



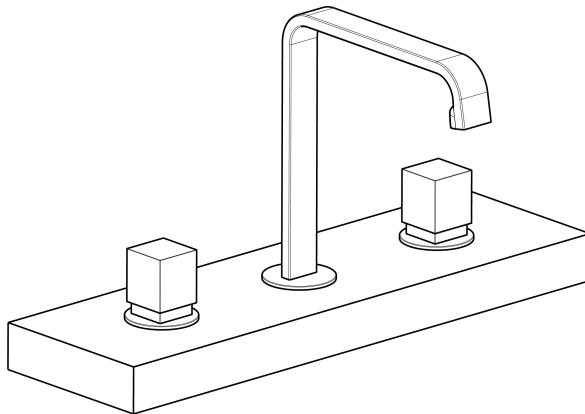
Fit the two standings, fitting it from below and screwing the chrome ring (B) with its gasket, and fix the set with the fixing nut (C).



Join the two standings to the “T” connection by mean of the flexible hose supplied and be careful to fit the gaskets (D).



Finally fit the two handles and fix them with their grub screws (see part. A).



INSTALLATION COMPLETE!!

BAGNODESIGN

EXPERTLY CRAFTED BATHROOMS

A member of SANIPEXGROUP
www.sanipexgroup.com