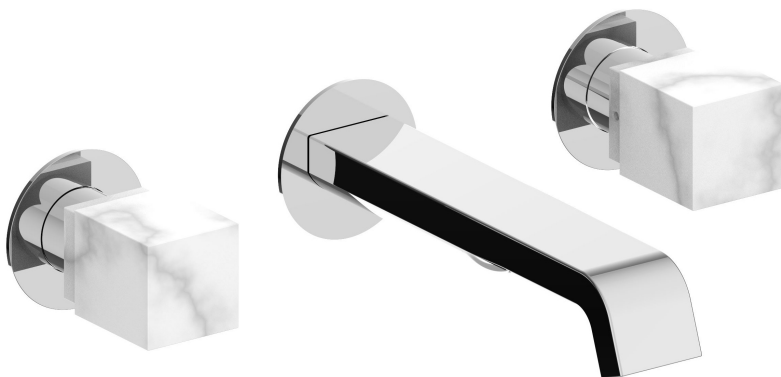


# BAGNODESIGN

EXPERTLY CRAFTED BATHROOMS

---

## Installation Guide

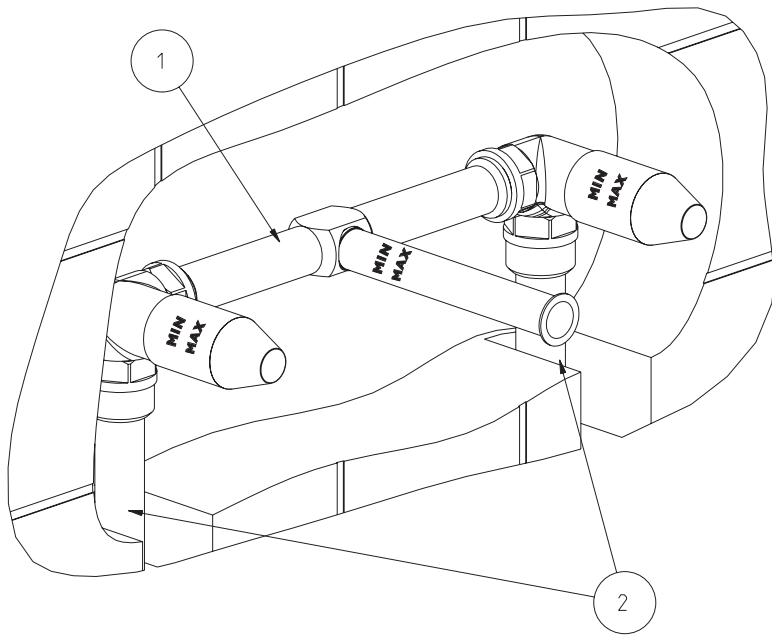


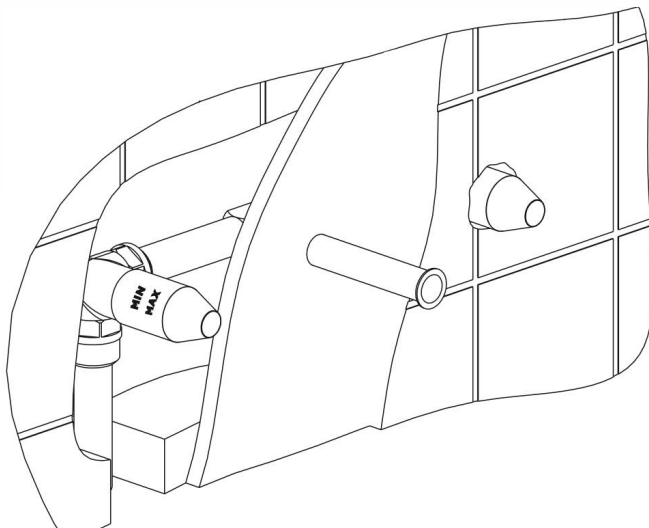
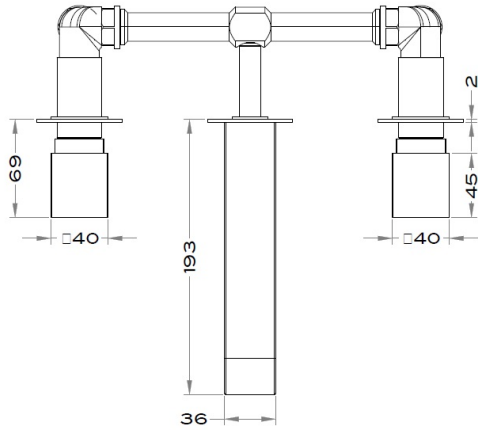
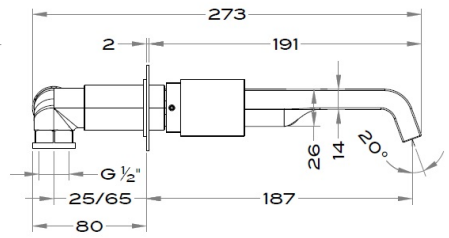
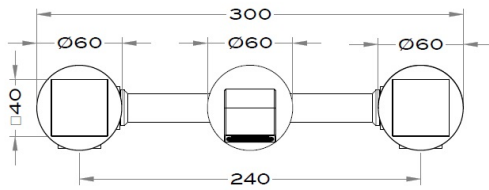
**BDM-SES-S309-XX**

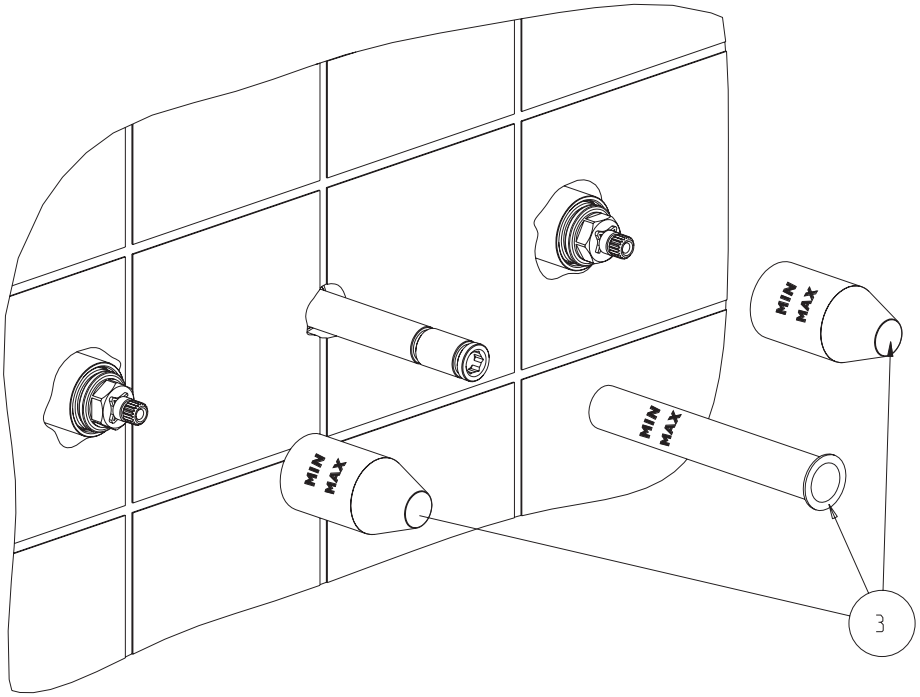
SESTRIERE SQUARE CONCEALED 3 HOLE BASIN MIXER

A member of **SANIPEXGROUP**  
[www.sanipexgroup.com](http://www.sanipexgroup.com)

## SCHAFT INSTALLATION

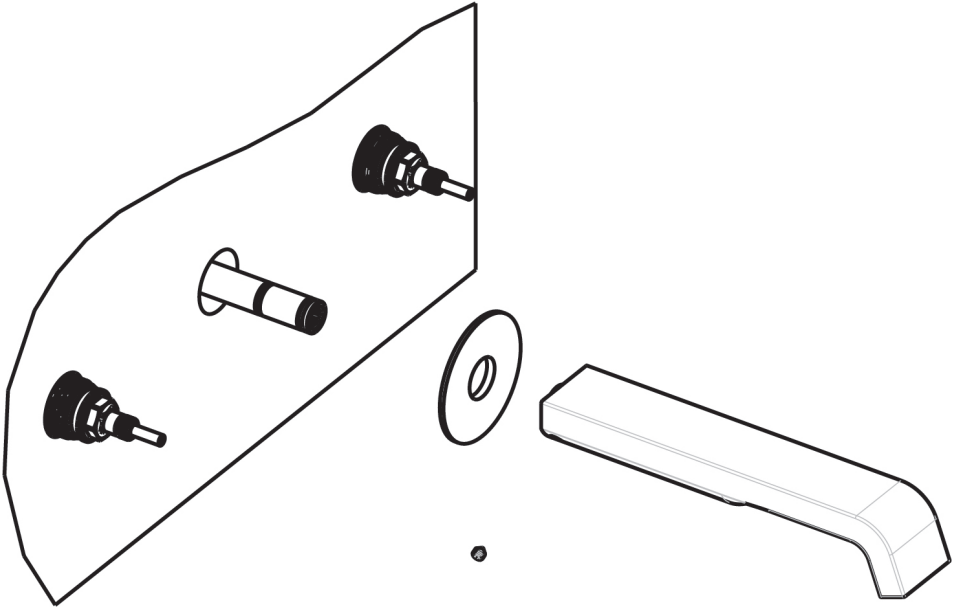


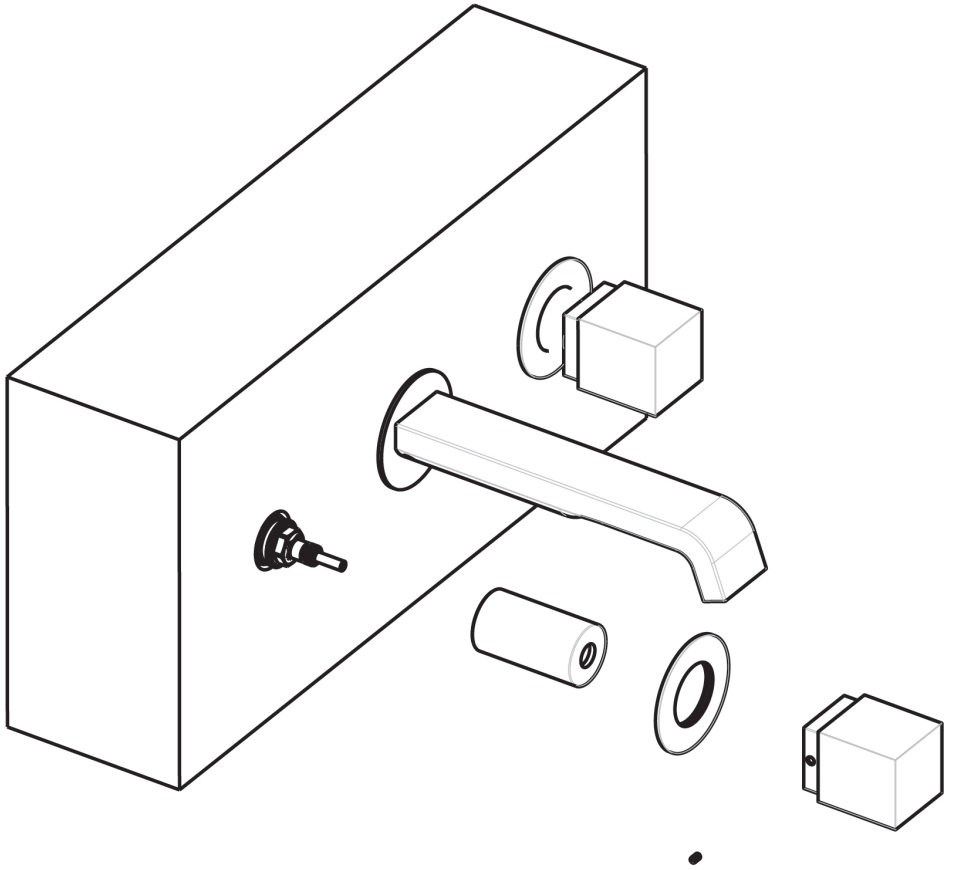




## **INSTRUCTIONS**

Pierce a proper hole in the wall and fit the body with the protection parts, be careful of the limits (MIN - MAX) onto the protection itself. Suggested the use of the spirit level for a proper alignment between the body and the wall. Connect the inlet hot/cold water tubes to the body. Proceed with the plastering and the final covering always giving a look to the limits (MIN - MAX) Unthread the protection parts and install the spout with its base ring toward the final covering and secure with the grub screw.







# BAGNODESIGN

EXPERTLY CRAFTED BATHROOMS

---

---

---

---

---

---

---

---

---

---

---

---

---

---

---

---

A member of SANIPEXGROUP  
[www.sanipexgroup.com](http://www.sanipexgroup.com)