

# BAGNODESIGN

EXPERTLY CRAFTED BATHROOMS

---

## General Installation Guide



### **BDM-SPA-M304-CP**

BAGNOSPA MANUAL SHOWER MIXER 4 OUTLET

A member of  SANIPEXGROUP

Please leave these instructions with the customer



## IMPORTANT PLEASE READ

Remove all packaging and check the product for missing parts or damage before starting installation.

Any alterations made to this product and fittings may infringe water regulations and invalidate the guarantee.

The Installation must comply with all Local/National Water Supply Authority Regulations/Byelaws and Building and Plumbing Regulations.

We strongly recommend that your product be installed by a reputable qualified trade's person.

### **General Installation:**

To the Installer, please read and follow this instruction carefully, as the guarantee is only valid if the product is installed as directed.

Don't rush, read the instructions first and run through them before you begin. Keep fittings together to avoid loss. Do not over tighten screws or bolts.

If the product is covered with polyethylene protective film, do not remove until installation is complete to grant maximum protection. However, remove film where any two surfaces will be in permanent contact.

Before making any inlet pipe connections, all supply pipes **MUST** be thoroughly flushed to remove debris.

### **Plumbing Recommendations:**

An independent hot and cold water supply is required for the shower system.

The recommended pipe work should be 22mm minimum for low pressure system.

If more than one shower mixer is installed, the minimum feed should be 28mm. (ensure adequate supply of both hot and cold water can be maintained)

The fitting of an in-line filter is recommended, Failure to do this could result in damage to the cartridge and components or low flow from the mixer.

The fitting of isolation/stop valves on the inlet feeds is advised for ease of maintenance.

Please leave this installation manual with the end user once the product has been Installed.

## **Operating Specifications:**

Hot and cold operating pressures should be kept as balanced as possible in order to maintain maximum efficiency.

When the supply pressure is higher than 5 bar a pressure reducing valve should be fitted before the shower mixer.

## **Technical Data:**

This mixer is supplied with five coverplates for the installation at a depth from 77mm to 89mm.

The mixer ports are supplied with a female thread G ½", G ¾", NPT½", NPT ¾".

The thermostatic mixer is provided with an additional outlet at the base of the mixer.

The bottom outlet is sealed with a removable plug.

## **Product Aftercare:**

We recommend cleaning with a soft damp cloth and mild soap solution. Do not use cream cleaners or cleaners containing bleach.

Do not scrub or scour.

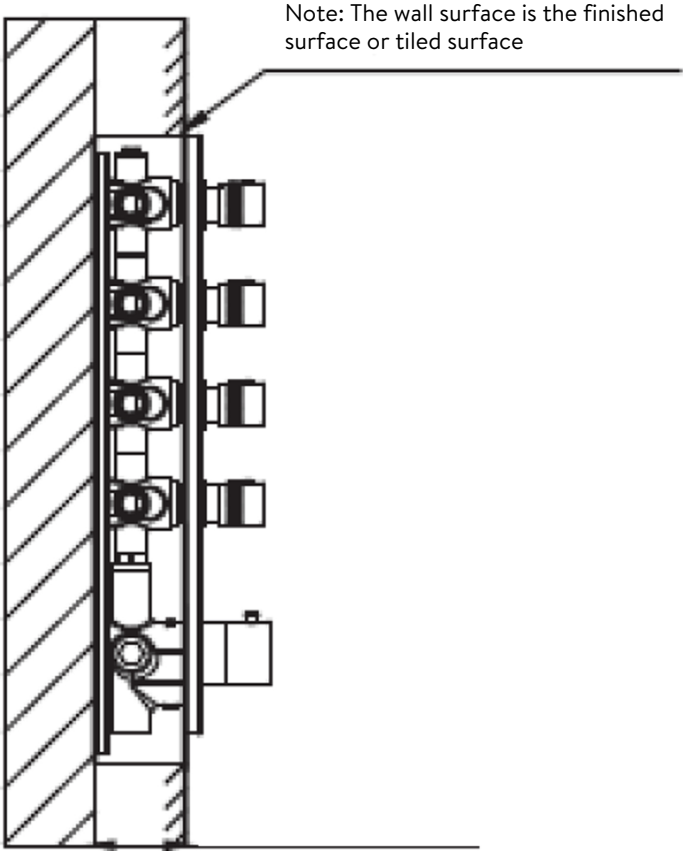
Do not use abrasive cleaning agents.

Do not use solvent based cleaners.

**READ THIS MANUAL CAREFULLY BEFORE USING YOUR MIXER AND KEEP IT AT  
HAND FOR FUTURE REQUIREMENTS**

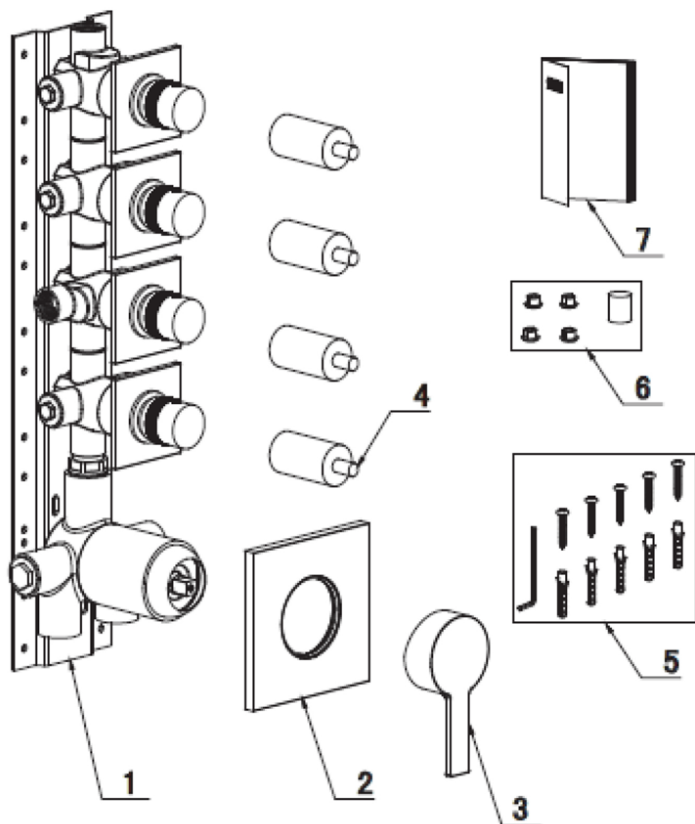
*This installation guide is for reference only. In case there is a discrepancy between that of the instructions and that of the actual product, the latter should be taken as standard. The rights of modification are reserved.*

Installation *Concealed Part*



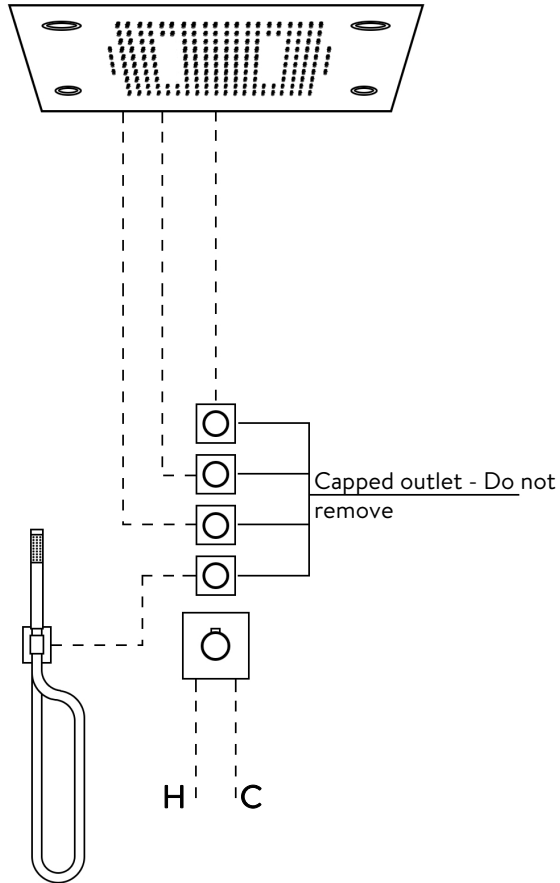
Embedding range of integrated panel and valve

List of standard parts of single-handle dual-control large capacity X-function control valve



No.	Single-handle X-function (X=1, 2, 3, 4, 5)	QTY
1	Single-handle control valve	1
2	Panel	1
3	Handle	1
4	30 jacket	1, 2, 3, 4, 5
5	Screw pack	1
6	Color button pack	1
7	Manual	1

## Installation *Water Supply Connections*



*\* If the caps are removed the product won't work correctly.*

Connect the Hot and Cold water supplies to the mixer, then install the mixed water supply, cap off and pressure test to check for any leakage\*

**ATTENTION: NEVER EXPOSE THE CONCEALED VALVE TO AN OPEN FLAME OR EXCESSIVE HEAT**

**\* Before making any inlet pipe connections, all supply pipes MUST be thoroughly flushed to remove debris. Failure to do this could result in damage to the cartridge and components or low flow from the mixer\***

# BAGNODESIGN

EXPERTLY CRAFTED BATHROOMS

---

---

---

---

---

---

---

---

---

---

---

---

---

---

---

---

Oakwell Way, Birstall  
Leeds, England WF9 17LU

A member of  SANIPEXGROUP