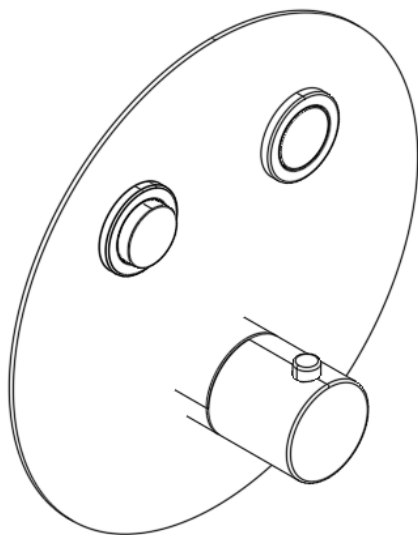


BAGNODESIGN

EXPERTLY CRAFTED BATHROOMS

Installation Guide



BDM-TOK-T302RR-XX

TOKO/OROLOGY ROUND 2 OUTLET THERMOSTATIC SHOWER MIXER

A member of **SANIPEXGROUP**
www.sanipexgroup.com

IMPORTANT PLEASE READ

All products manufactured and supplied by BAGNODESIGN are fit for purpose as long as they are Installed, used correctly, cleaned and receive regular maintenance in accordance with these instructions...

Remove all packaging and check the product for damage or missing parts before commencing with the installation.

Any alterations made to this product and its components may infringe product certification, infringe water regulations and invalidate the guarantee. The Installation must comply with all local/national water supply authority regulations/byelaws and building and plumbing regulations, therefore we strongly recommend that your product be installed by a reputable qualified trade's person.

PRODUCT LIFECYCLE

"The product lifecycle is the collective stages that a product goes through from its conception and design through to its ultimate disposal."

DISPOSAL GUIDANCE

The best way to ensure your Product has a long life is to follow the Care and Maintenance guides set by the Manufacture after purchase. This document can be found at www.bagnodesignlondon.com. The lifecycle of the product is not in correlation to the product Guarantee; the standards the products are manufactured or certified to (e.g. CE & WRAS) can exceed past the Guarantee duration. After the lifecycle of the product is deemed complete by the end-user please follow the below to dispose of the items correctly...

Mixers (Taps):

If the mixers are no longer accepted due to mechanical use or aesthetic style, these can be disposed of at a registered Local Authority waste recycling centre where the individual components can be sorted.

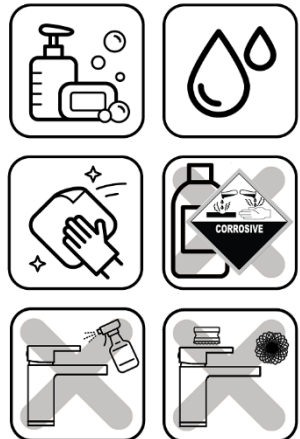
CLEANING CARE GUIDE

Only use a mild soap and water for cleaning.
Rinse with water to remove the mild soap solution.
We recommend the product is dried using a soft cloth after every use.

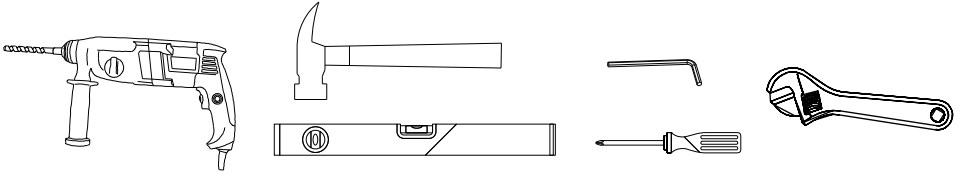
Never use any abrasive or strong cleaning products containing, bleaches, acids (hydrochloric, formic, phosphorus, chlorine or acetic), strong detergents, limescale remover, alcohol or dyes etc.

Never use abrasive cleaning pads, wire wool or microfibre cloths.
Never use cleaning equipment that may have been pre-used and contaminated with the above substances.

Never apply the cleaning product directly onto the finished surface.



Tools Required (Not supplied)

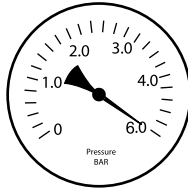
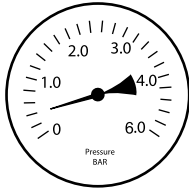


Specifications

Dynamic Water Pressure

Min: 0.5 bar

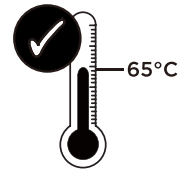
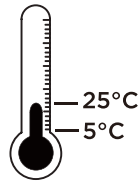
Max: 6.0 bar



Maximum Static Pressure: 10.0 bar

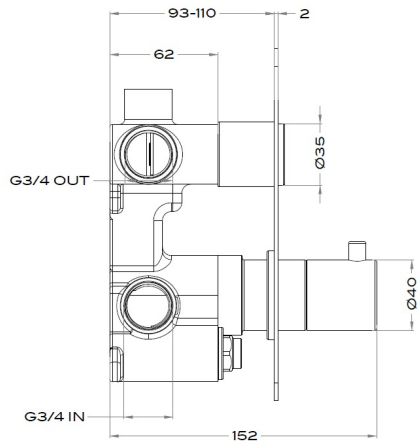
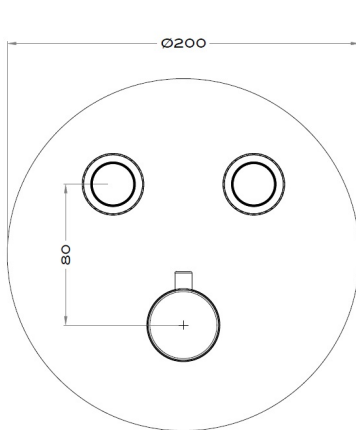
Inlet Water Temperature

Cold Water Supply Hot Water Supply

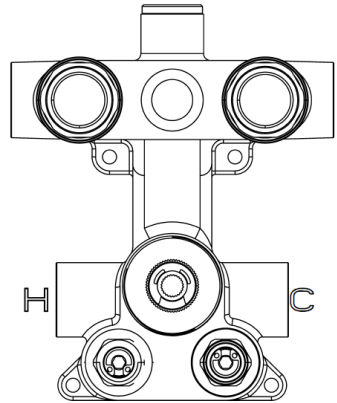
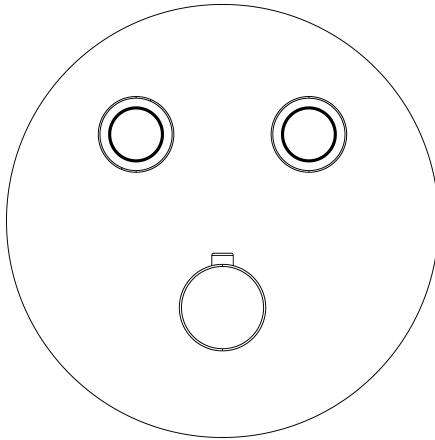


Min: 5°C Max: 25°C

65°C Recommended



Installation Concealed Part



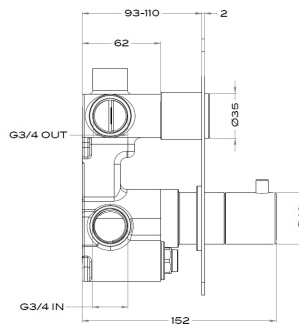
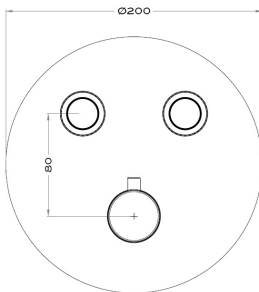
Please consider the final wall application, Tiles, Mosaics, Water-proof board or Marble and install to the tolerances shown on the protection cover

Attention

The embedded depth of the product is
93-110 mm

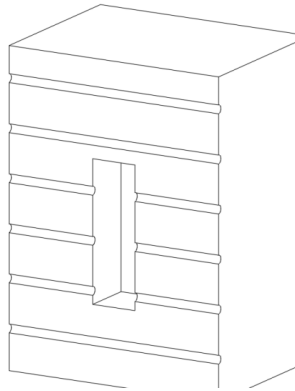
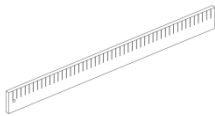
Install water outlet thread

G3/4

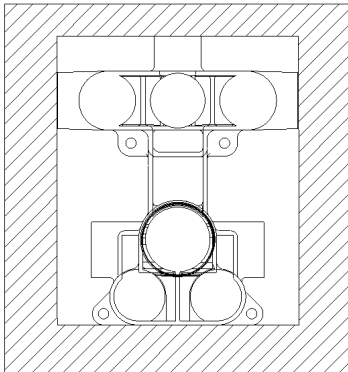


Pay attention to the depth of 93-110mm when excavating the pre buried pit, and compare the width with the actual object

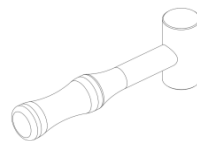
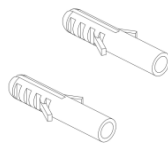
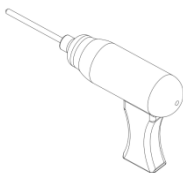
Ruler measurement



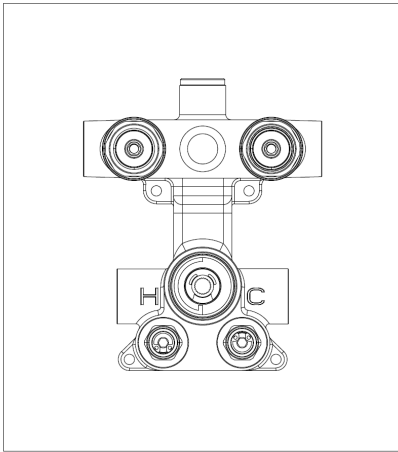
For In-The-Wall installation, place the box on the wall, mark the positions of the 4 fixing points, drill the wall with the correctly sized drill bit, install the wall plugs and use the screws to fasten the box to the wall.



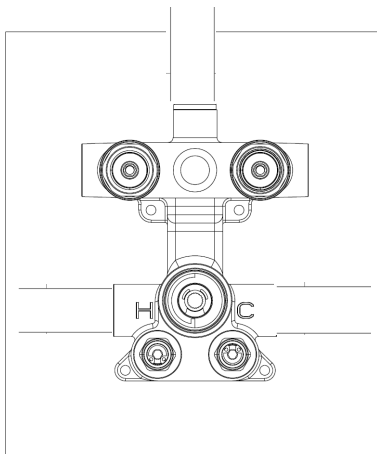
1. Mark the position of the installation positioning screw hole and use a punching tool to drill holes
2. Use a hammer to tap in the plastic expansion pipe



For Rear Installation, ensure the cut out is the correct height and width (use the box for dimensions) Screw the box to the drywall using the front fixing.

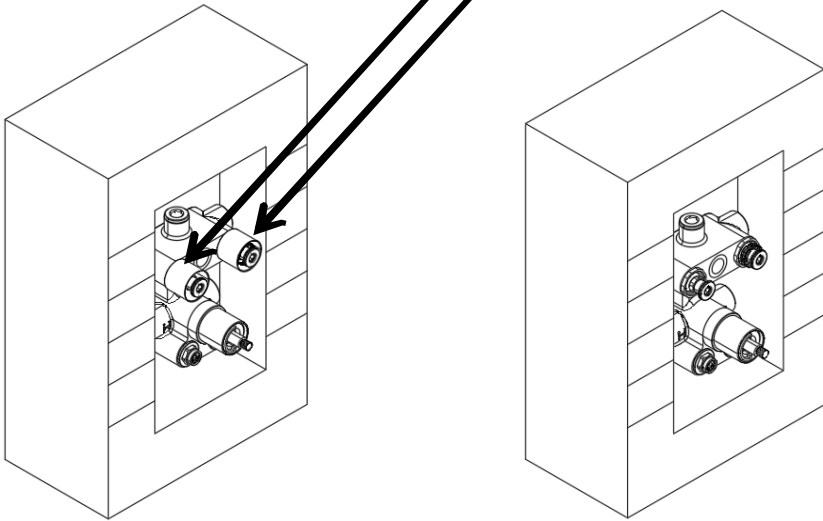


1. Use tools to install screws and secure the main body of the faucet, as shown in the figure.
2. After installing and fixing the main body of the faucet, use a level to check if the installation is qualified



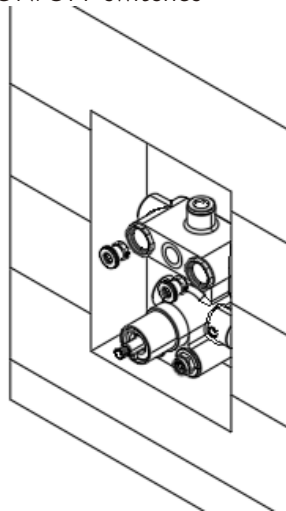
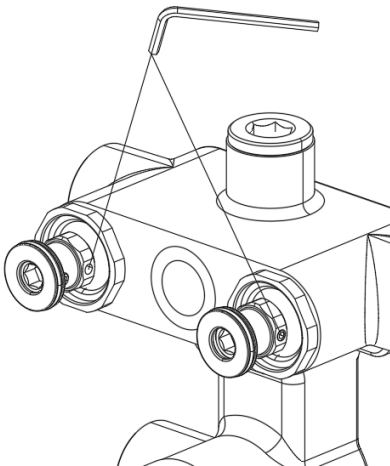
Connect the Hot and Cold water supplies to the mixer, then install the mixed water supplies, cap off and pressure test to check for any leakage* installation of waterway pipelines is correct. Can conduct sealing tests, check whether the pipeline connection is qualified, and ensure that the pipeline installation is qualified

Remove the valve core decorative

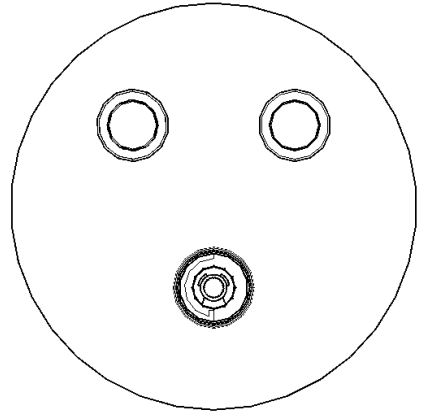
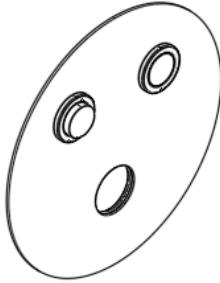
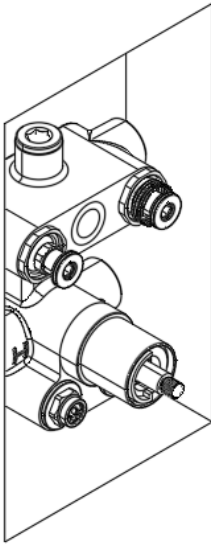


Adjusting panel distance

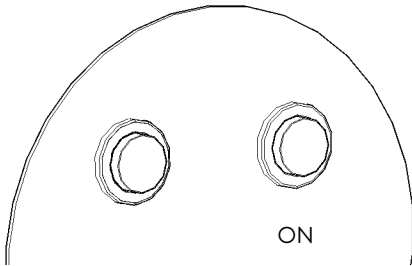
Repeat on both ON/OFF switches



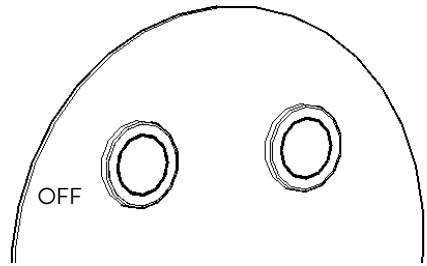
1. Use a 2mm hex key to loosen the set screw, as shown in figure 1
2. Turn the adjusting nut by hand and adjust it to the appropriate position
3. Measure with a ruler and ensure that the heights of the two adjusting nuts are consistent Use a 2mm hex key to tighten the fixing nut and prevent it from loosening



Put the silicone between the plastic guard and the wall and over the plate support.
Insert the cover plate (1) on the control knob (2). Push the cover plate (1) to the wall.

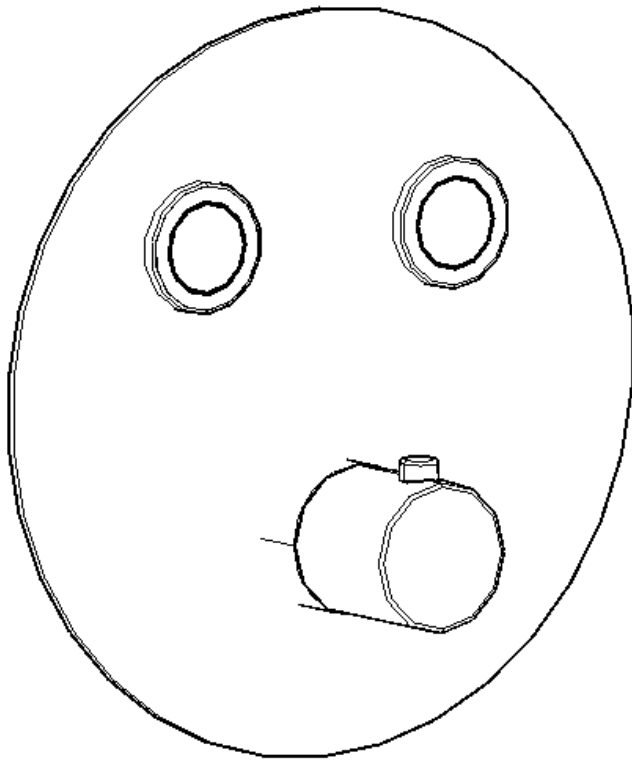


The button pop-up
protrusion is
in the open state



The button is
pressed flat and is
in the closed state

Check the correct operation of the closure system



1. Detect the outlet water temperature. Test the water outlet temperature on hand to see if it meets the requirements. If the initial temperature is incorrect, please correct it.
2. Install a constant temperature handwheel; The temperature test is qualified. Install the temperature regulating handwheel, center the handwheel button, use tools to lock the handwheel fastening screw, and install the screw hole decorative cover. Installation completed
3. Cleaning the panel and handwheel

BAGNODESIGN

EXPERTLY CRAFTED BATHROOMS
