

Talenti

Installation Guide



TLT-VEN-GEN

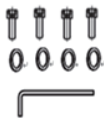
TALENTI VENERE PARASOL UMBRELLA
GENERAL INSTRUCTION

Umbrella and Base parts list – (125kgs Granite base)



4pcs Wheels

a



16pcs bolts+16pcs washer
+Large Wrench



Concrete base

b



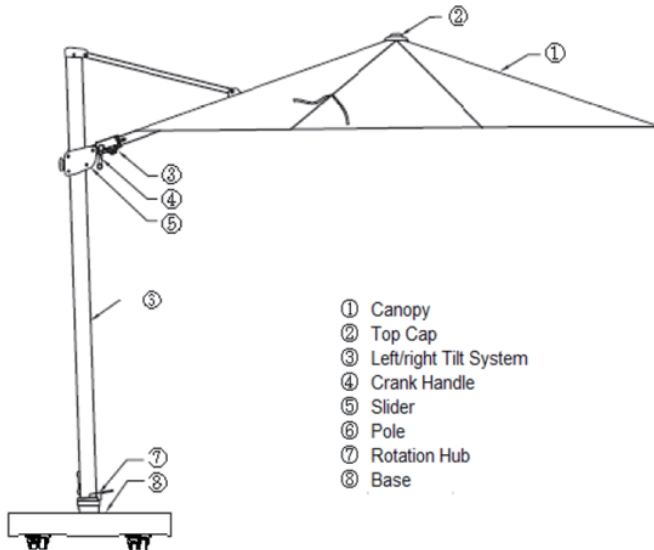
Rotation hub and adaptor

c.



4pcs bolts+4pcs washer
+4pcs Spring disc+Large Wrench

d



- ① Canopy
- ② Top Cap
- ③ Left/right Tilt System
- ④ Crank Handle
- ⑤ Slider
- ⑥ Pole
- ⑦ Rotation Hub
- ⑧ Base

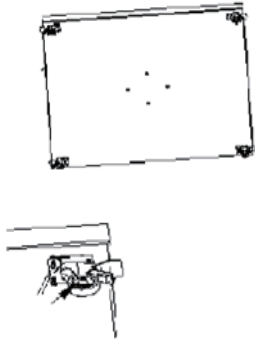
- Check that the carton includes all parts listed in the Manual.
- Read these instructions carefully before set it up.
- Make sure you have enough space when set it up and available for 360° rotation function.

Base Assembly

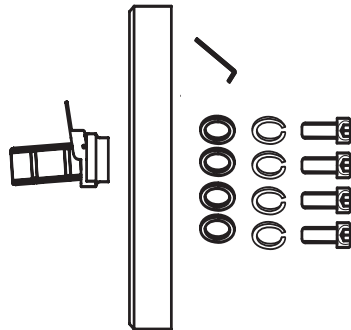
Step 1: Install the four base feet on the back of the base.

Step 2: Assembly the granite base with adaptor.

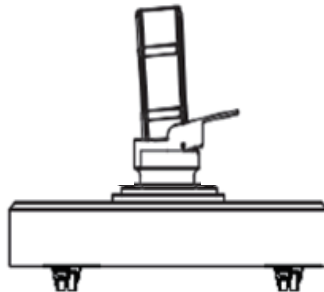
Step 3: Ready for installing the umbrella.



step 1



step 2



Step 4

step 3

Caution: Make sure the adaptor is firmly assembled before install the umbrella !!

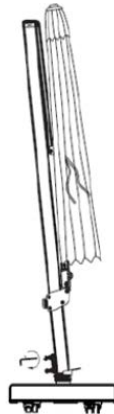
Umbrella Assembly

Step 5: Assembly the frame with base.

Step 6: Fasten the rotation part and frame by two bolts.



Step 5



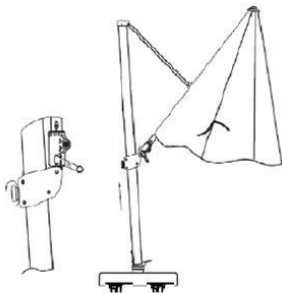
Step 6

OPERATION

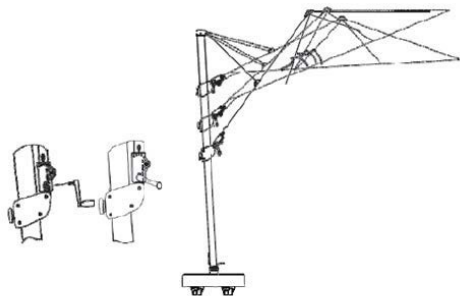
TO OPEN THE UMBRELLA

Step 7: Release the knob in the counter clockwise direction, then move the slider upwards. Tighten the knob again firmly by turning it in clockwise direction.

Step 8: Put crank handle in crank hole turn the crank in the clockwise direction to open the parasol completely.



Step 7



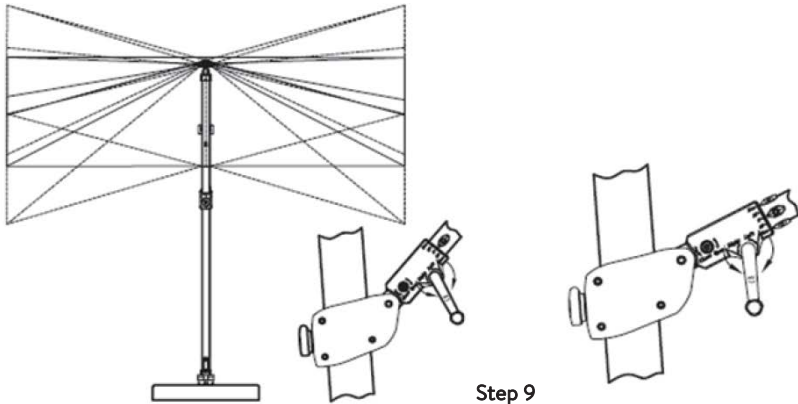
Step 8

CAUTION:

1. Do not overwind the crank handle - stop winding when the canopy is fully open.
2. In windy conditions, check the umbrella for excess movement and if necessary, adjust the slide so that the canopy is horizontal.

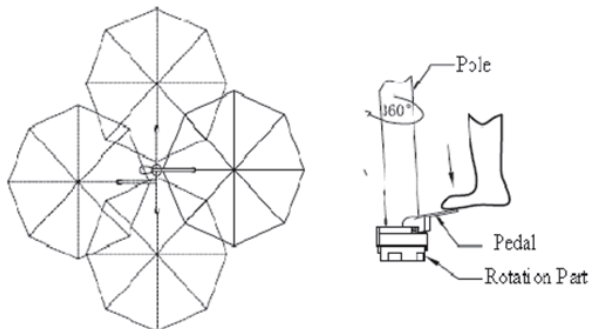
Turning from Left to Right

Step 9: Put crank handle in turning hole and realize the function of turning left & right.(Pic.9 &10) Don't overexert on the crank after the arrow is pointing on Max. Don't close umbrella when using turning system.



360° rotation function

Step 10: Press down the rotation hub, rotate the Main frame around the pole with 360° to any desired angle.



Step 10

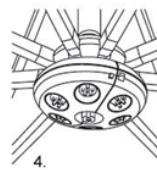
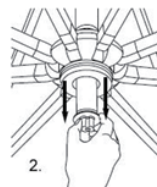
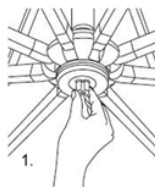
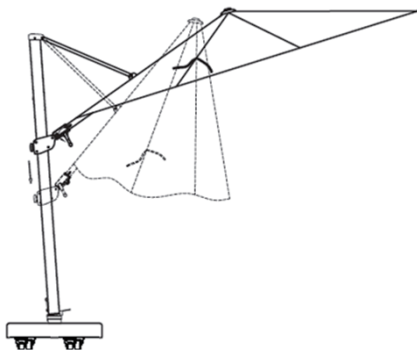
TO CLOSE THE UMBRELLA

1. Loosen the Knob and slowly lower the runner while simultaneously turning the Crank counter clockwise .
2. When the umbrella is closed against the mast, secure the tie around the umbrella and mast to hold it closed.

Additional Instructions

Optional LED light. (SOLD SEPARATELY)

The central runner features a drop- down spigot to which the LED light be attached.



SAFETY PRECAUTIONS WARNINGS:

- The purpose of the umbrella is to provide shade from the sun.
- When adjusting the umbrella, make sure no person(s) or any item(s) are close to the umbrella. This is important in preventing any injury or damage to anyone or anything.
- NEVER LEAVE UNATTENDED, up, or use in windy conditions/gust or storms.
- It is best to remove the upper half of the umbrella from the base in off season.
- The manufacturer or retailer is not liable for any loss, or damage of the product, or other items due to the failure of not removing the umbrella from the umbrella base during windy-stormy conditions.

CARE AND MAINTENANCE:

To ensure your GYMKHANA product performs and gives many years of use, please follow these recommendations carefully, as any damages resulting from poor maintenance are not covered under the warranty.

The majority of products can be cleaned with warm water, a mild soap and a clean soft cloth.

It is not required to use any abrasive cleaning pads, wire wool or micro-fibre cloths to clean the product.

Avoid a vigorous cleaning action.

Abrasive or strong cleaning products containing ammonia, bleaches, alcohol, dyes, acids (hydrochloric, formic, phosphorus, chlorine or acetic) will be detrimental to the product finish.

