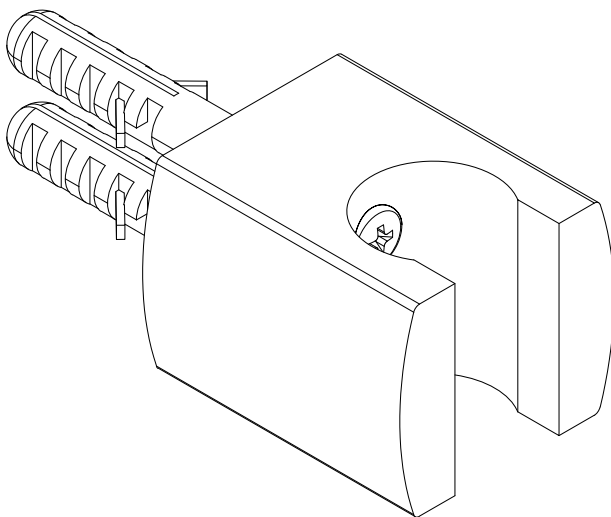


# BAGNODESIGN

EXPERTLY CRAFTED BATHROOMS

---

## Installation Guide



**BDP-SHA-100-CP**  
SQUARE ABS SHOWER HOLDER

A member of **SANIPEXGROUP**  
[www.sanipexgroup.com](http://www.sanipexgroup.com)

## IMPORTANT PLEASE READ

Remove all packaging and check the product for missing parts or damage before starting installation.

Any alterations made to this product and fittings may infringe water regulations and invalidate the guarantee.

The Installation must comply with all Local/National Water Supply Authority Regulations/Byelaws and Building and Plumbing Regulations.

We strongly recommend that your product be installed by a reputable qualified trade's person.

### General Installation:

To the Installer, please read and follow this instruction carefully, as the guarantee is only valid if the product is installed as directed.

Before making any inlet pipe connections, all supply pipes **MUST** be thoroughly flushed to remove debris.

The fitting of isolation/stop valve/Angle valve must be installed on the inlet feeds. Also the fitting of an in-line filter is recommended, Failure to do this could result in damage to the mechanism and components or low flow from the bidet spray.

### Recommendation for Correct Use:

The correct use of this shut-off bidet spray will prevent from causing damages in your bathroom.

After having opened the isolation valve you can use your shut-off bidet spray by pressing the head lever.

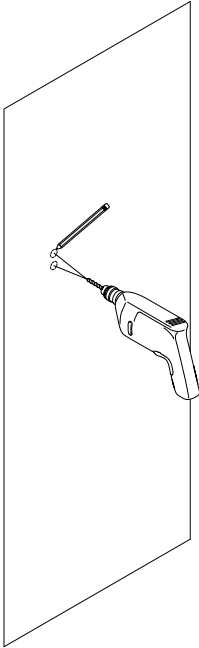


***It is important to always turn-off the water tap after use: the bidet spray has not been considered a permanent water stop, as it has been designed to give a temporary water supply only.***

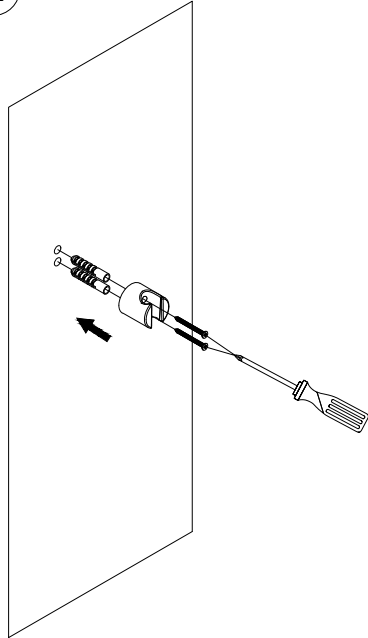


**What could happen if the tap is left open?** A problem on the flexible hose could burst under permanent water pressure conditions, thus causing damages in your bathroom. It is also important to remind that functional characteristics of the hose may vary depending on different conditions of use, i.e. water pressure and temperatures Therefore, we strongly suggest to use the product correctly, by always turning the water isolation valve off after use.

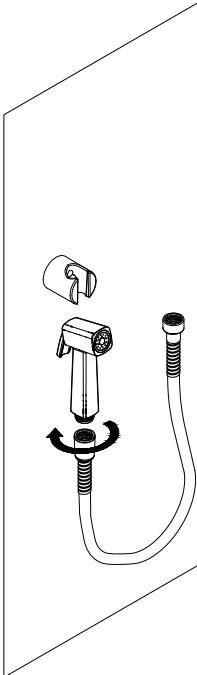
1



2



3



4

