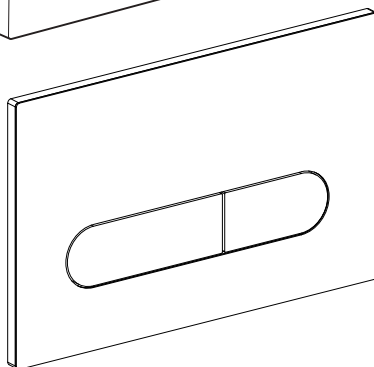
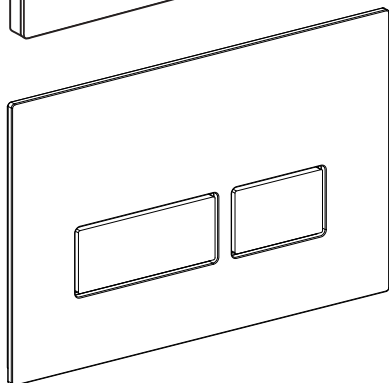
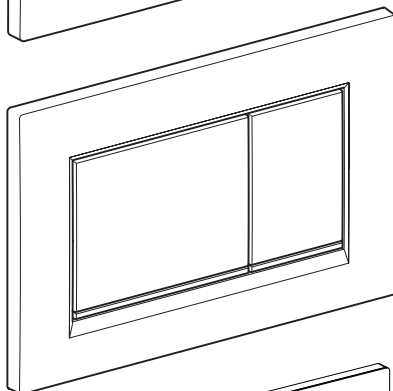
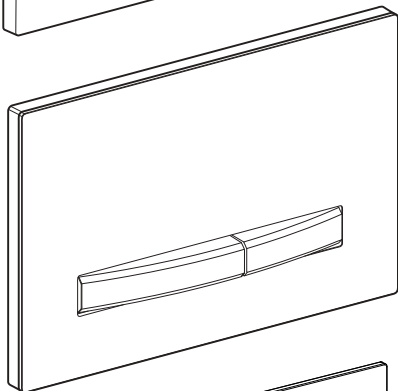
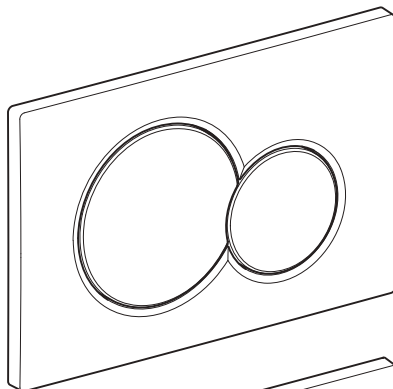
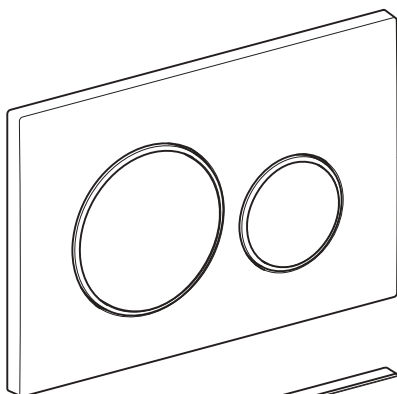


INSTALLTION GUIDE



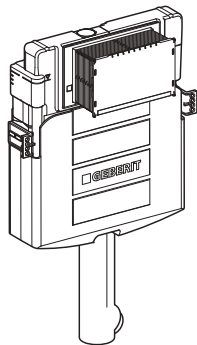
GEN-FLUSH PLATE

GENERAL FLUSH PLATE

A member of SANIPEXGROUP
www.sanipexgroup.com

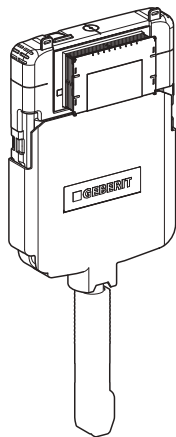


Sigma 12 cm



→ **A** 2

Sigma 8 cm

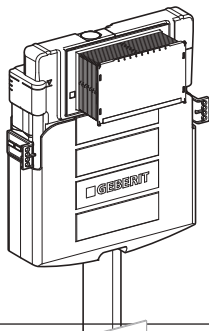


→ **B** 7

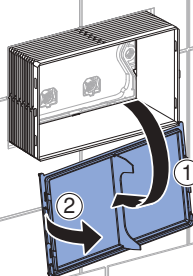
A



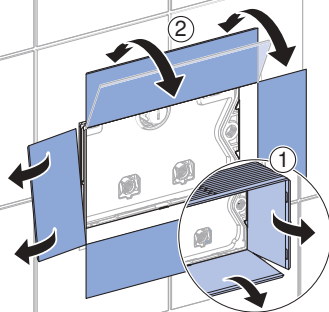
Sigma 12 cm



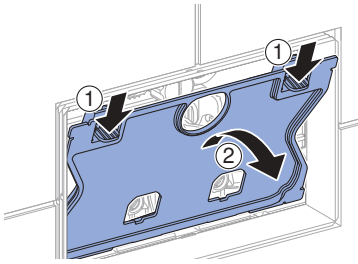
1



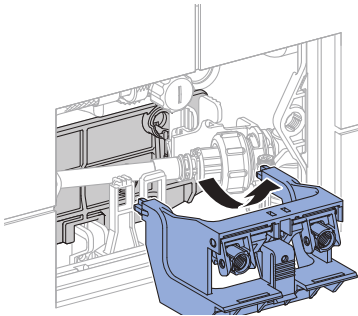
2



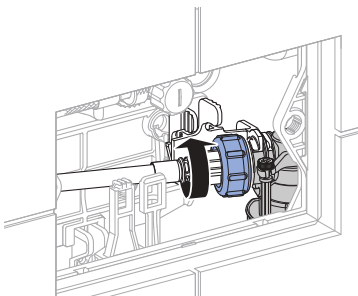
3



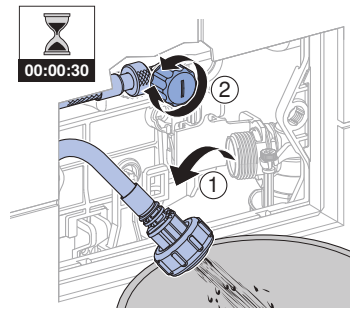
4



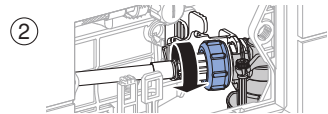
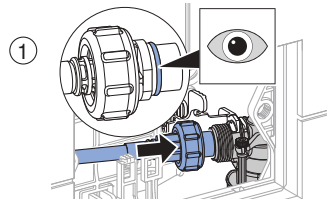
5



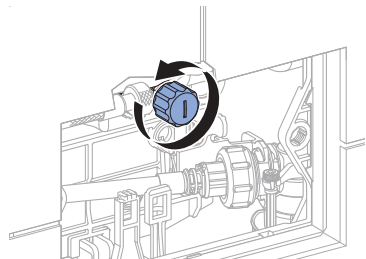
6



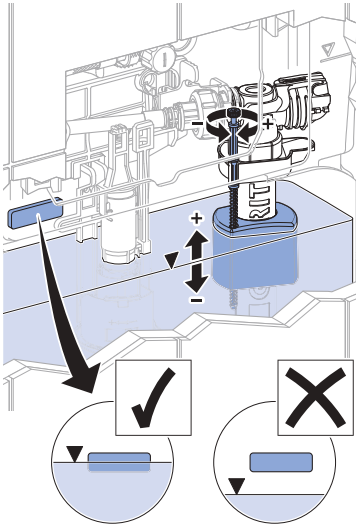
7



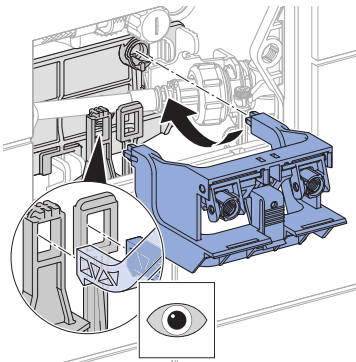
8



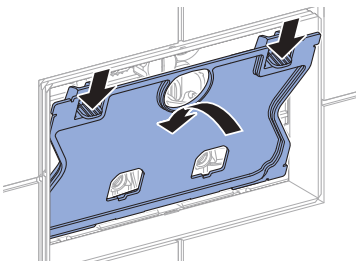
9



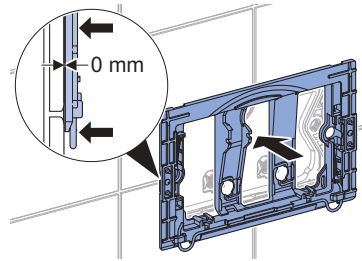
10



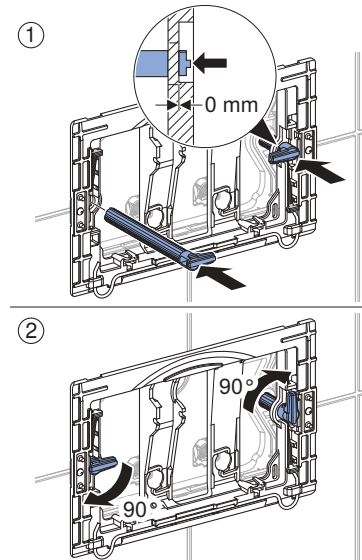
11



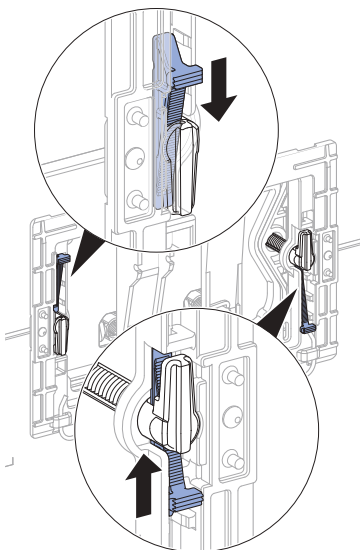
12



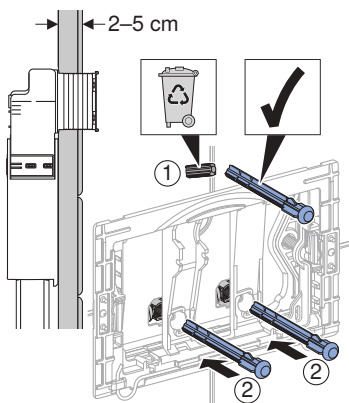
13



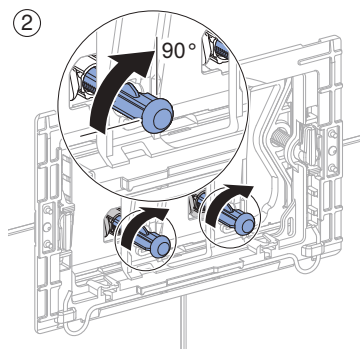
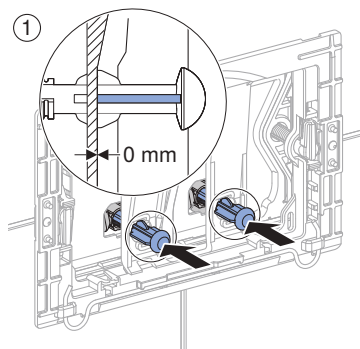
14



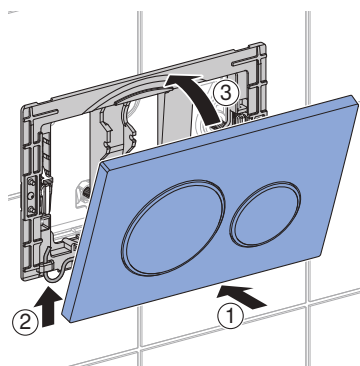
15



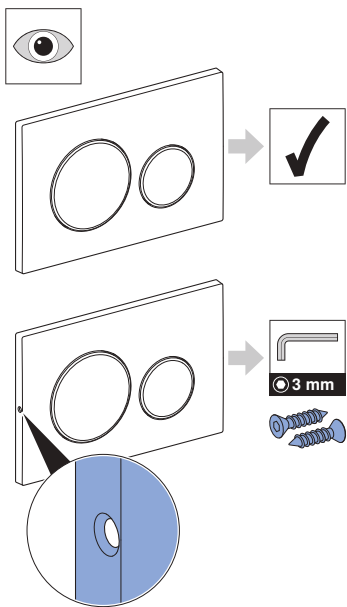
16



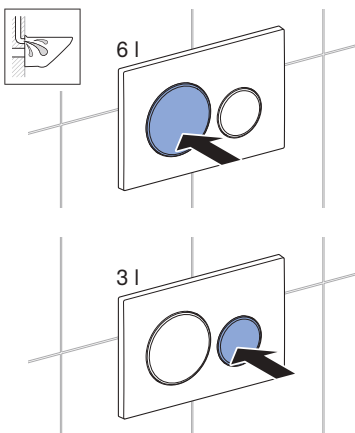
17



18

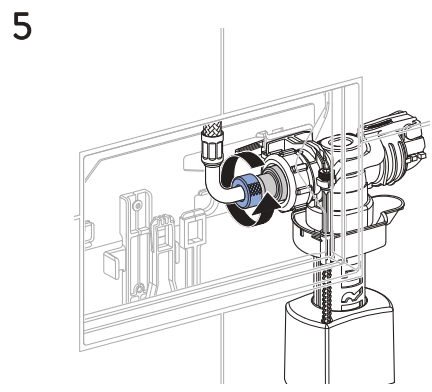
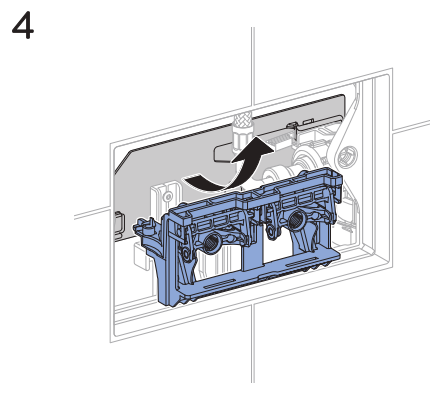
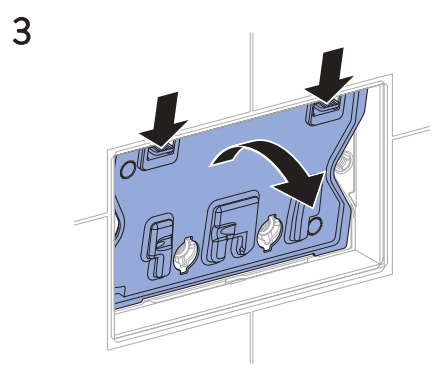
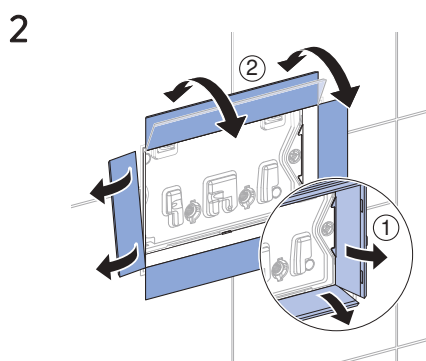
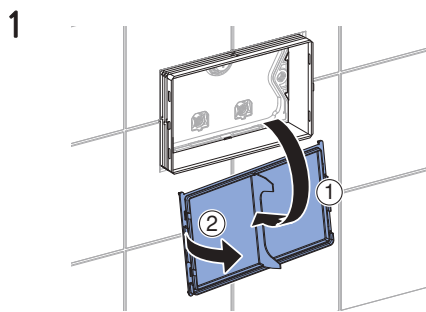
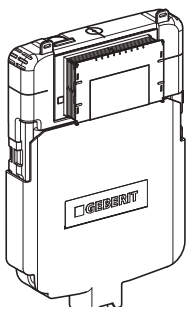


19

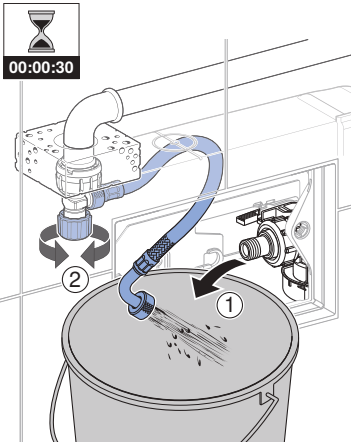


B

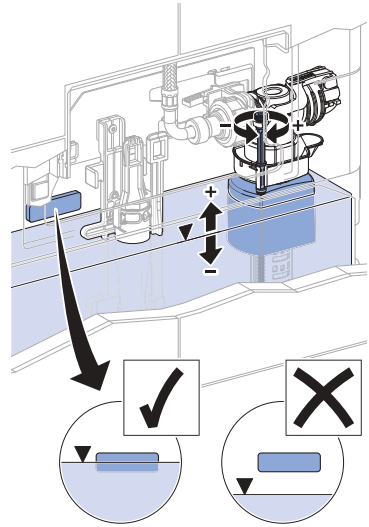
✓ Sigma 8 cm



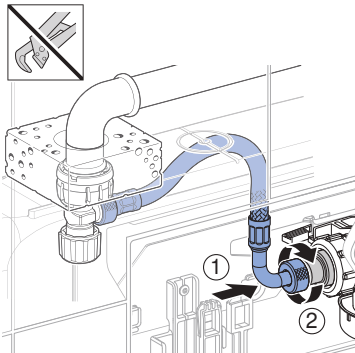
6



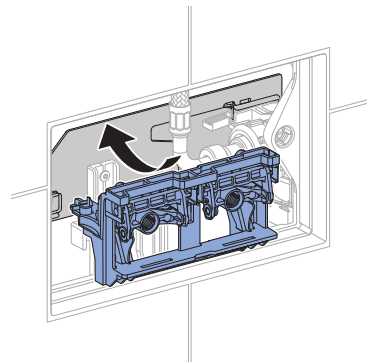
8



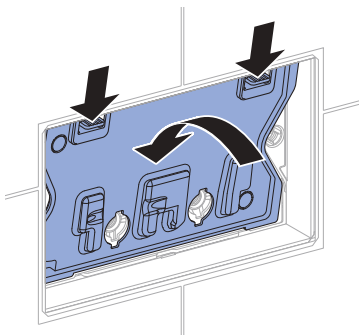
7



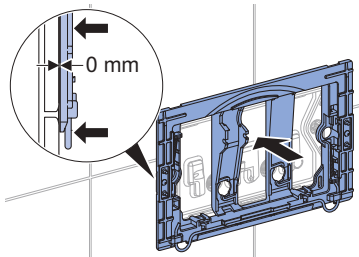
9



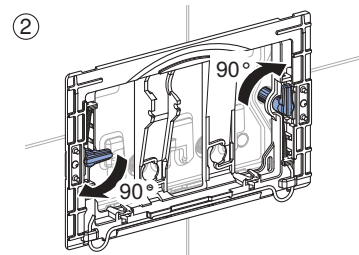
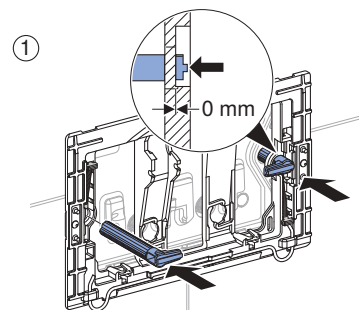
10



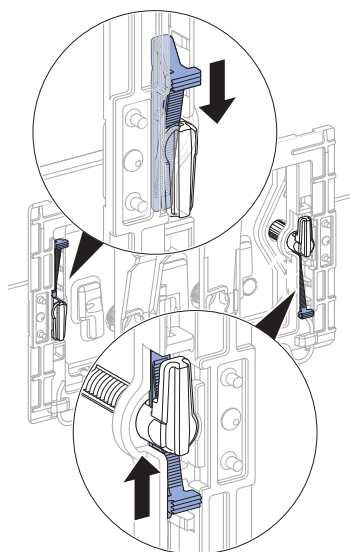
11



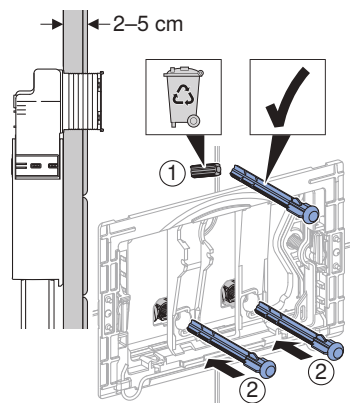
12



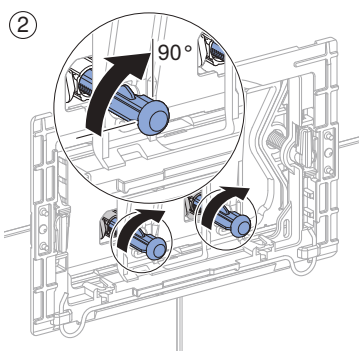
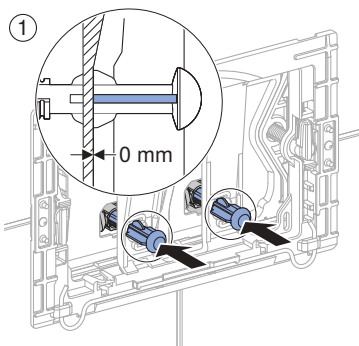
13



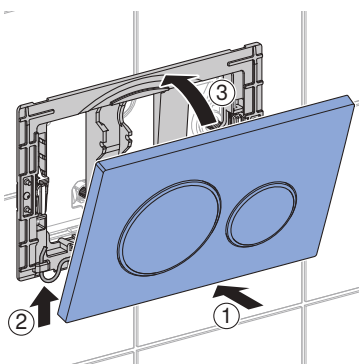
14



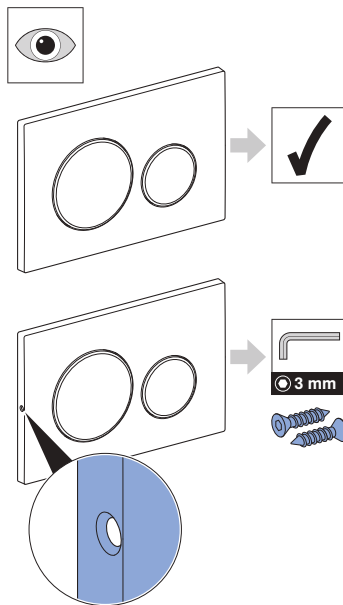
15



16



17



18

