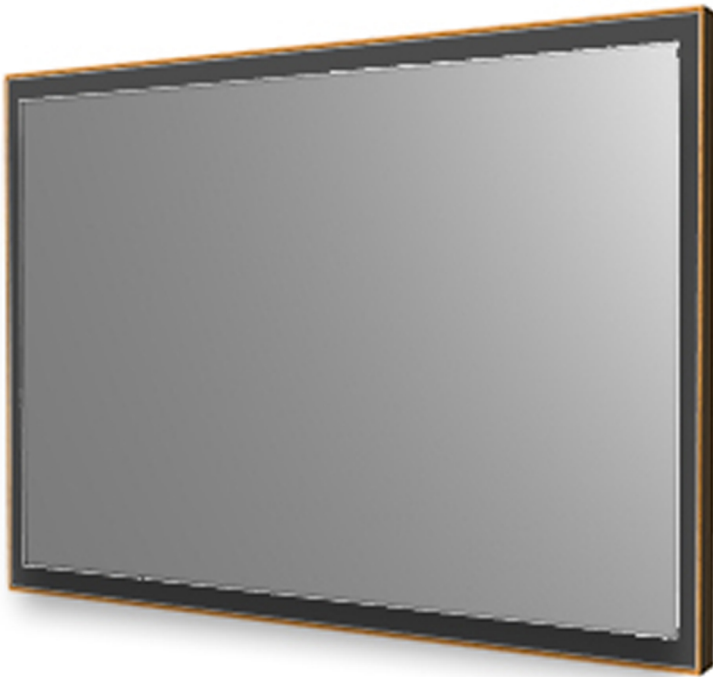


# BAGNODESIGN

EXPERTLY CRAFTED BATHROOMS

---

## General Installation Guide

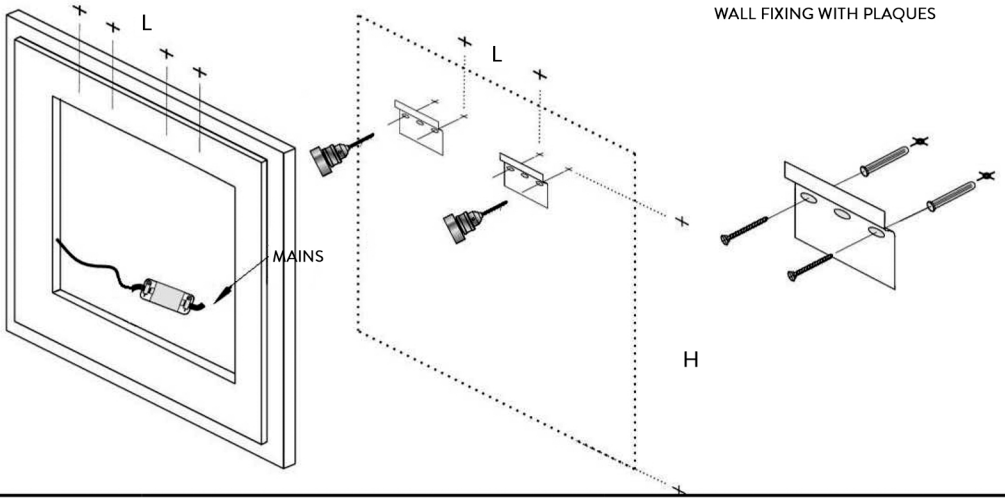


**BDR-MNR-R090L-CB**

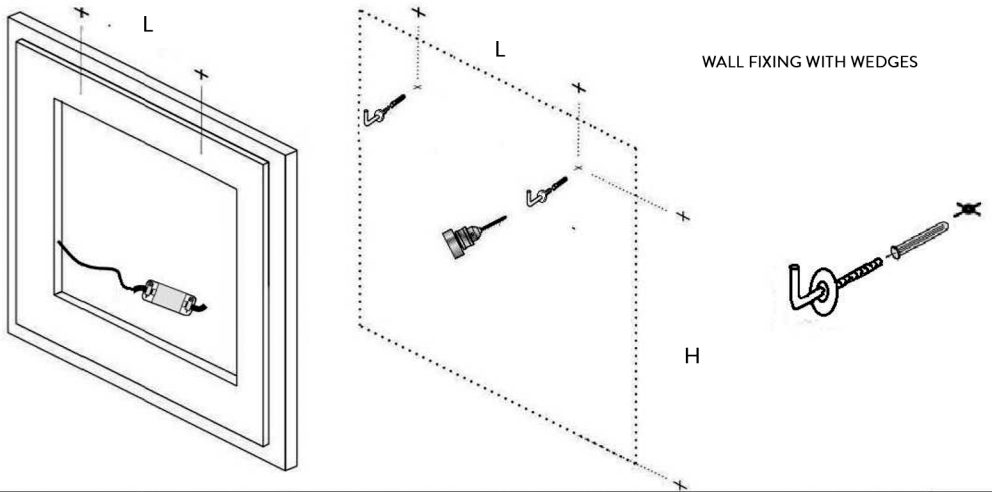
MONROE ILLUMINATED REVERSIBLE MIRROR W/ SENSOR 900X700 CB

FITTING INSTRUCTIONS - MIRROR

WALL FIXING WITH PLAQUES



WALL FIXING WITH WEDGES



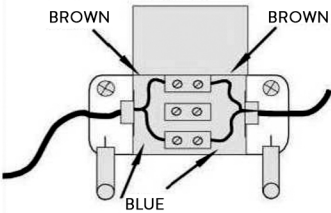
ELECTRICAL CONNECTIONS

BOX OPEN

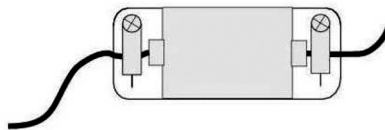
BROWN

BROWN

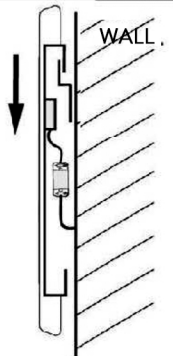
BLUE



CONNECTION BOX CLOSED



WALL



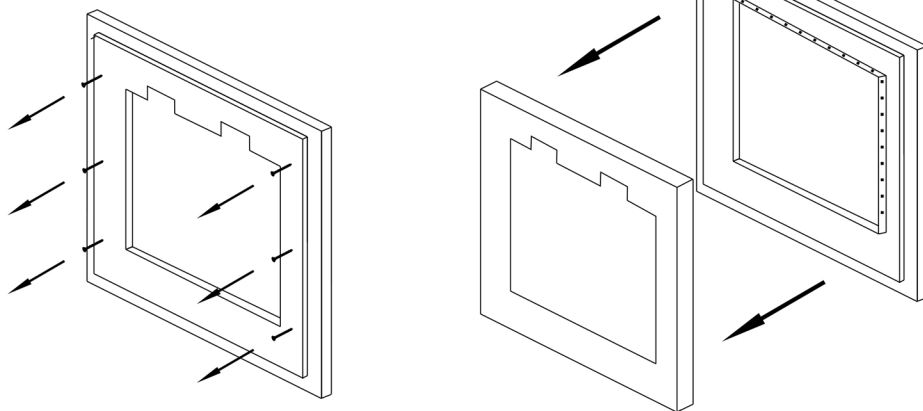
## FITTING INSTRUCTIONS - MIRROR

Electrical regulations for the Classe II EN 60598 require usage of junction boxes with plastic isolation.

This illuminated mirror complying with Classe II norms (symbol ) represents an extra isolation and it does not have to be earthed. To maintain this degree of safety take note of the following instructions:

- 1- Lengths of mains shall be 8 cm. max. so that they can be completely covered by the plastic isolation fixed to the junction box. If the mains are shorter, just cut the plastic isolations.
- 2- Introduce the mains in the plastic isolations and connect them to the terminal box.
- 3- Clip and close the cover of the junction box. Ensure it can be reopened only by using a tool.
- 4- Put the plastic isolation in the safety wall box.
- 5- Hang the mirror and fix it in place according to the fitting instructions on the reverse.

### OPENING OF THE BACKFRAME



LED LIGHTS CANNOT BE REPLACED !

ATTENTION ! THE ASSEMBLY AND INSTALLATION OF THIS PRODUCT MUST BE CARRIED OUT BY A PROFESSIONAL ELECTRICIAN

# BAGNODESIGN

EXPERTLY CRAFTED BATHROOMS

---

---

---

---

---

---

---

---

---

---

---

---

---

---

---

---

---

Oakwell Way, Birstall  
Leeds, England WF9 17LU

A member of  SANIPEX GROUP