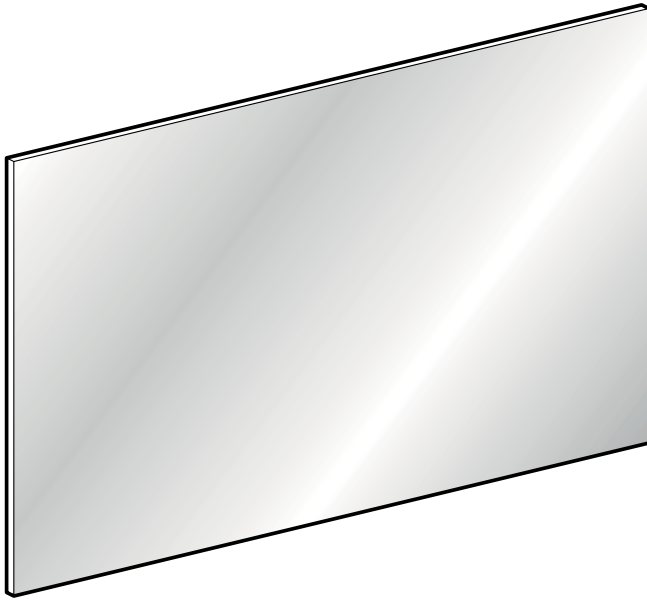


BAGNODESIGN

EXPERTLY CRAFTED BATHROOMS

Installation Guide



SMOOTH

Wall mounted Mirror

A member of  SANIPEXGROUP

Please leave these instructions with the customer

IMPORTANT PLEASE READ

Remove all packaging and check the product for missing parts or damage before starting installation.

Any alterations made to this product and fittings may infringe water regulations and invalidate the guarantee.

The Installation must comply with all Local/National Water Supply Authority Regulations/Byelaws and Building and Plumbing Regulations.

We strongly recommend that your product be installed by a reputable qualified trade's person.

General Installation:

To the Installer, please read and follow this instruction carefully, as the guarantee is only valid if the product is installed as directed.

Don't rush, read the instructions first and run through them before you begin. Keep fittings together to avoid loss. Do not over tighten screws or bolts.

If the product is covered with polyethylene protective film, do not remove until installation is complete to grant maximum protection. However, remove film where any two surfaces will be in permanent contact.

Please leave this installation manual with the end user once the product has been installed.

Product Aftercare:

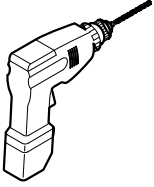
We recommend cleaning with a soft damp cloth and mild soap solution. Do not use cream cleaners or cleaners containing bleach.

Do not scrub or scour.

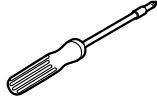
Do not use abrasive cleaning agents.

Do not use solvent based cleaners.

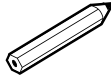
Tools



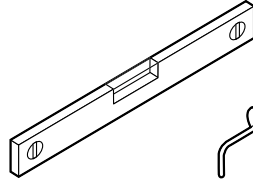
Drill / Screwdriver



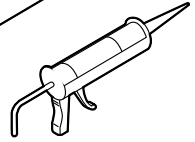
Screwdriver



Pencil

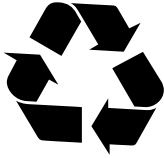


Level

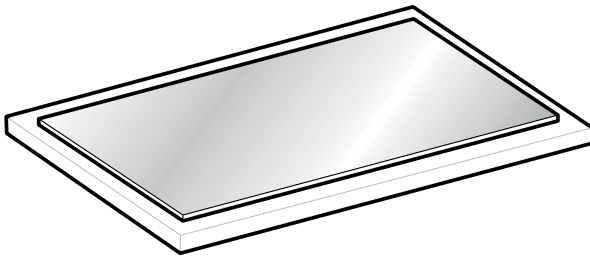


Neutral silicon (NOT acetic)

Getting started

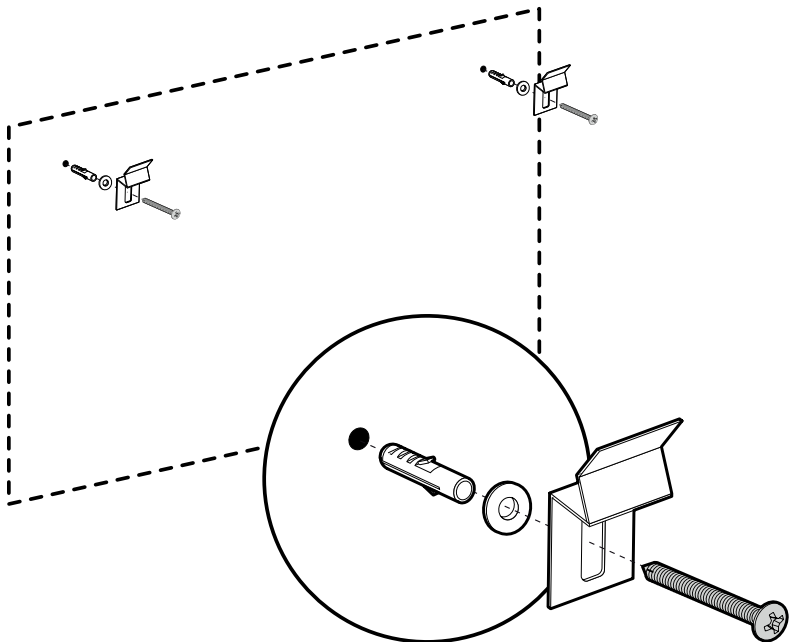
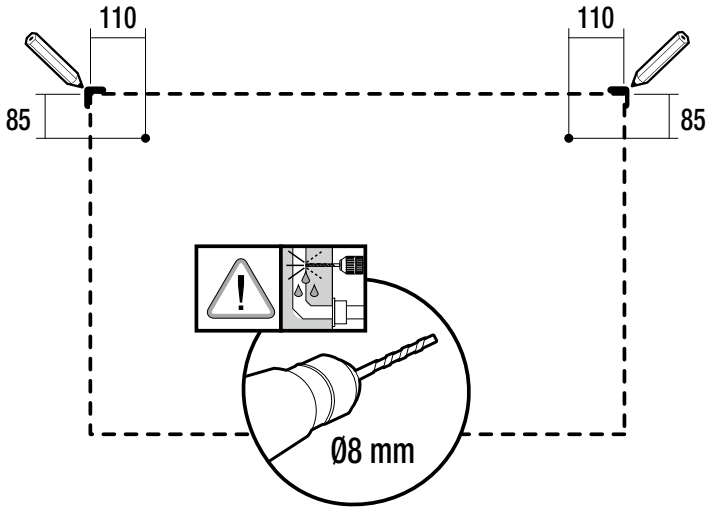


RECYCLED

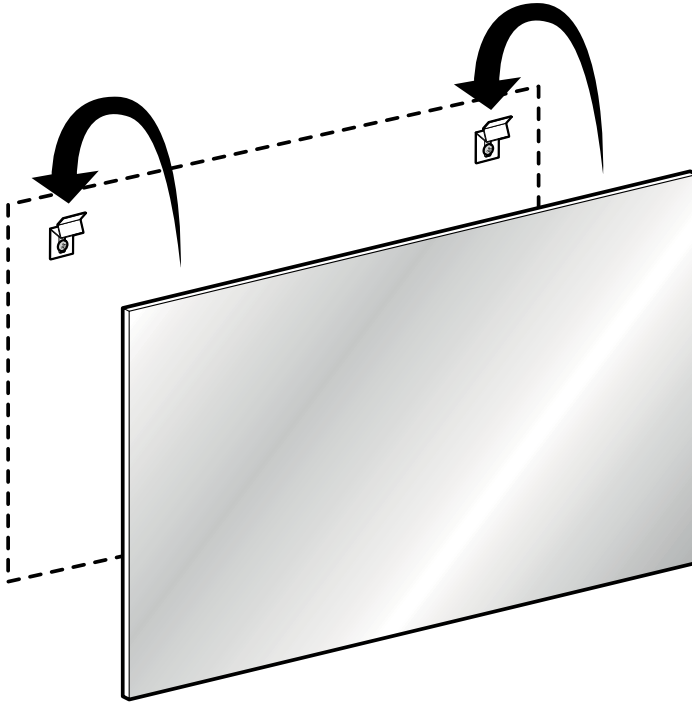


1

Mirror fixing



2



HOW TO USE THE MIRRORS CORRECTLY

CLEANING: clean the mirror and profiles using a soft cloth and suitable, non-aggressive detergent.

IMPORTANT: the electrics must be connected up by a specialist technician

**FOR MIRRORS LARGER THAN 1 M²,
HOOK THE FRAME ONTO THE 4 BRACKETS SUPPLIED.**

