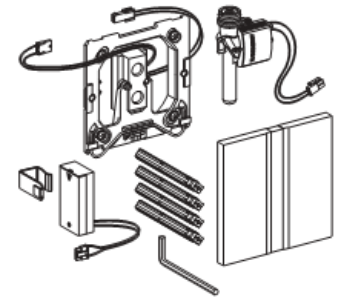
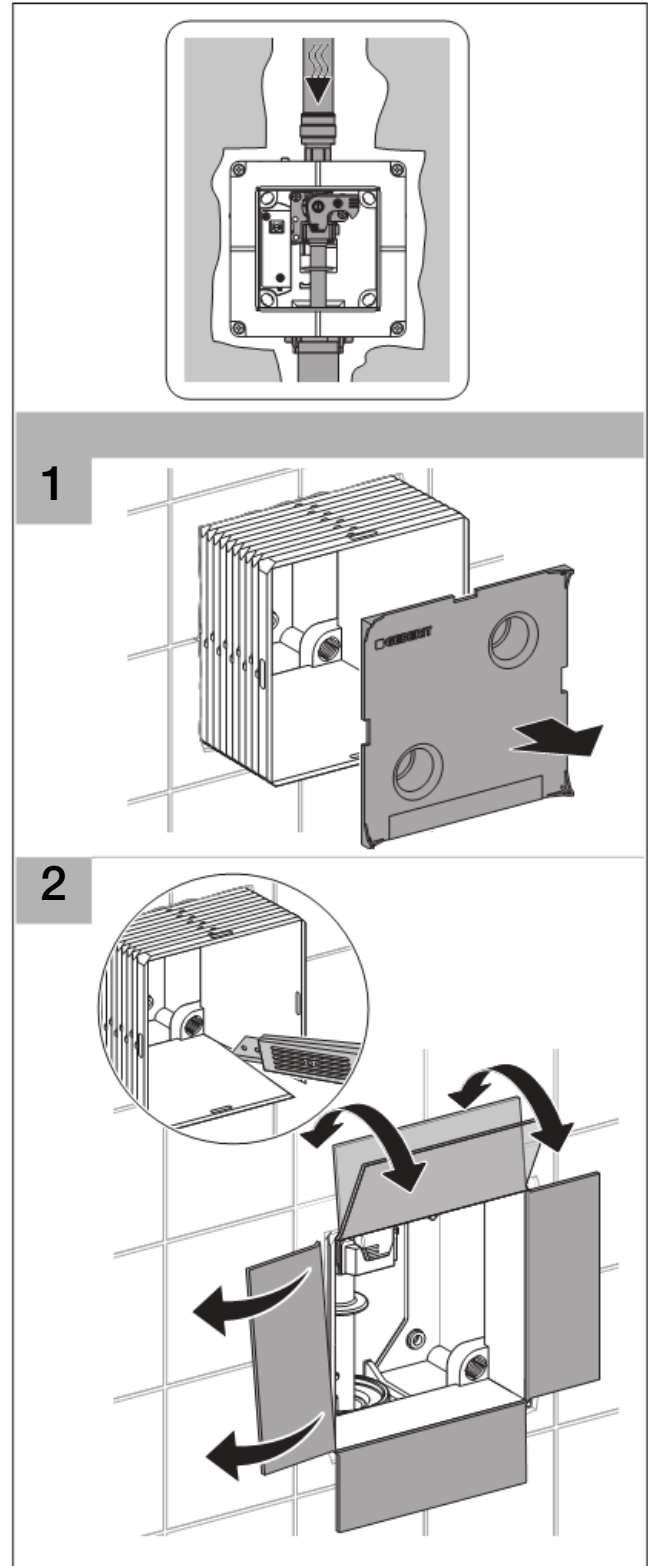
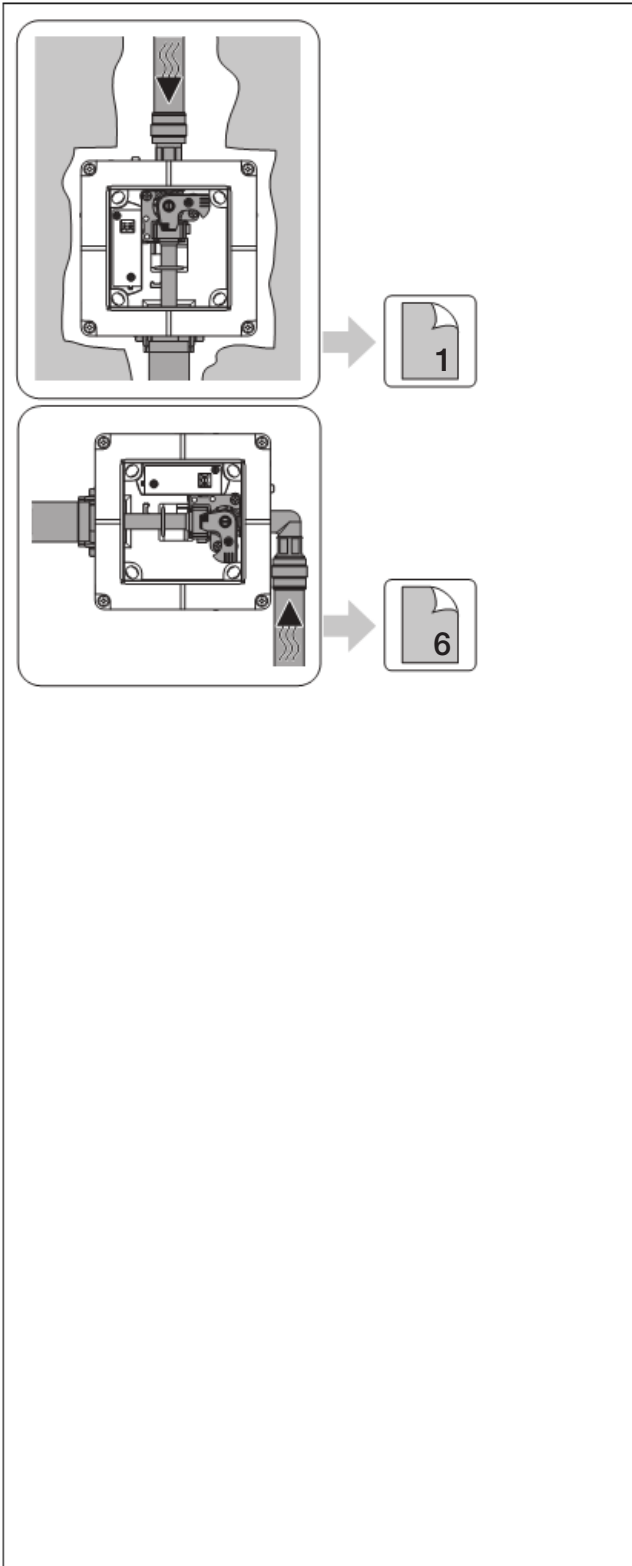


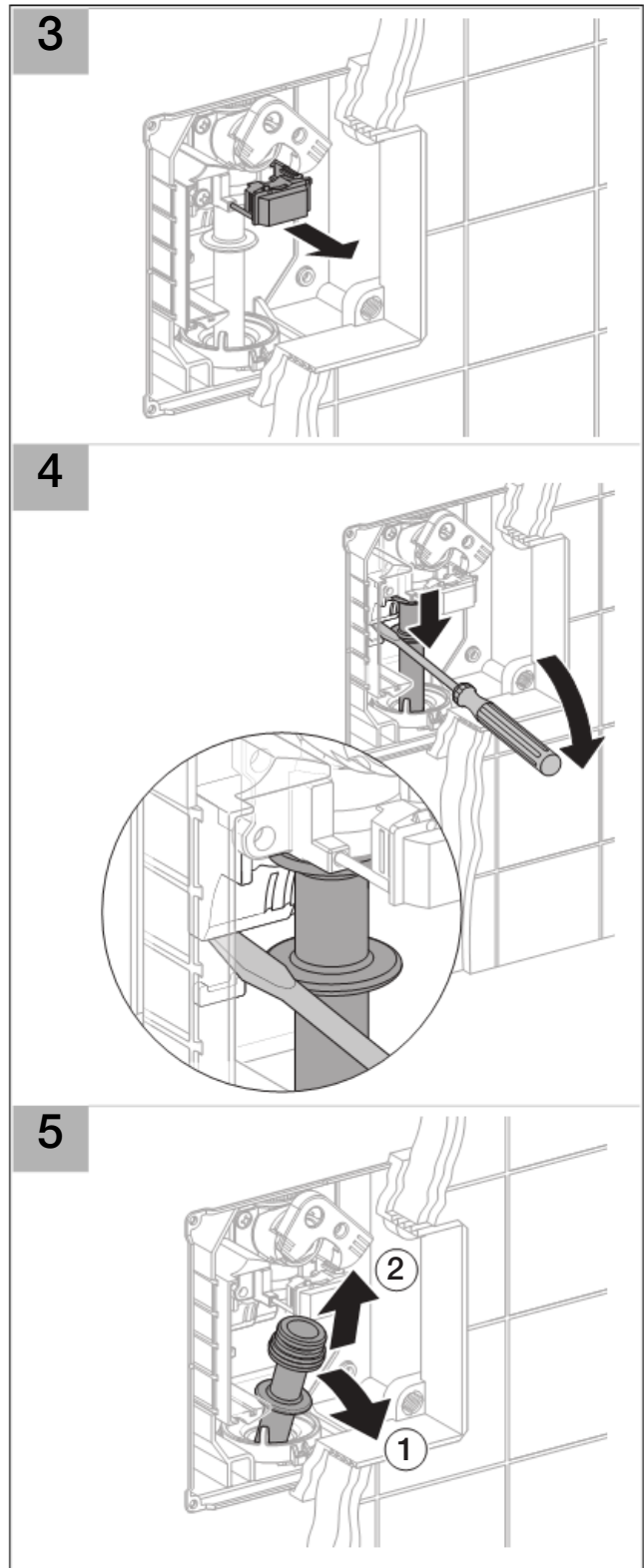
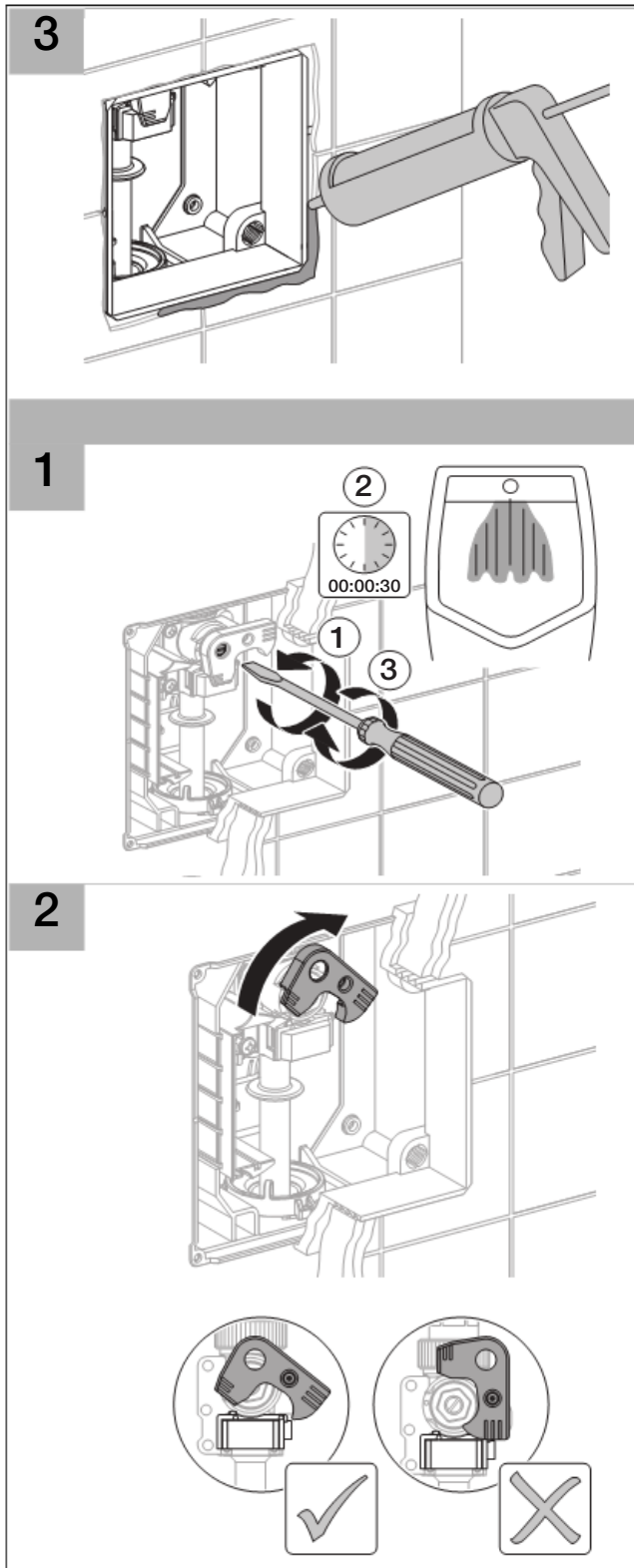
Installation

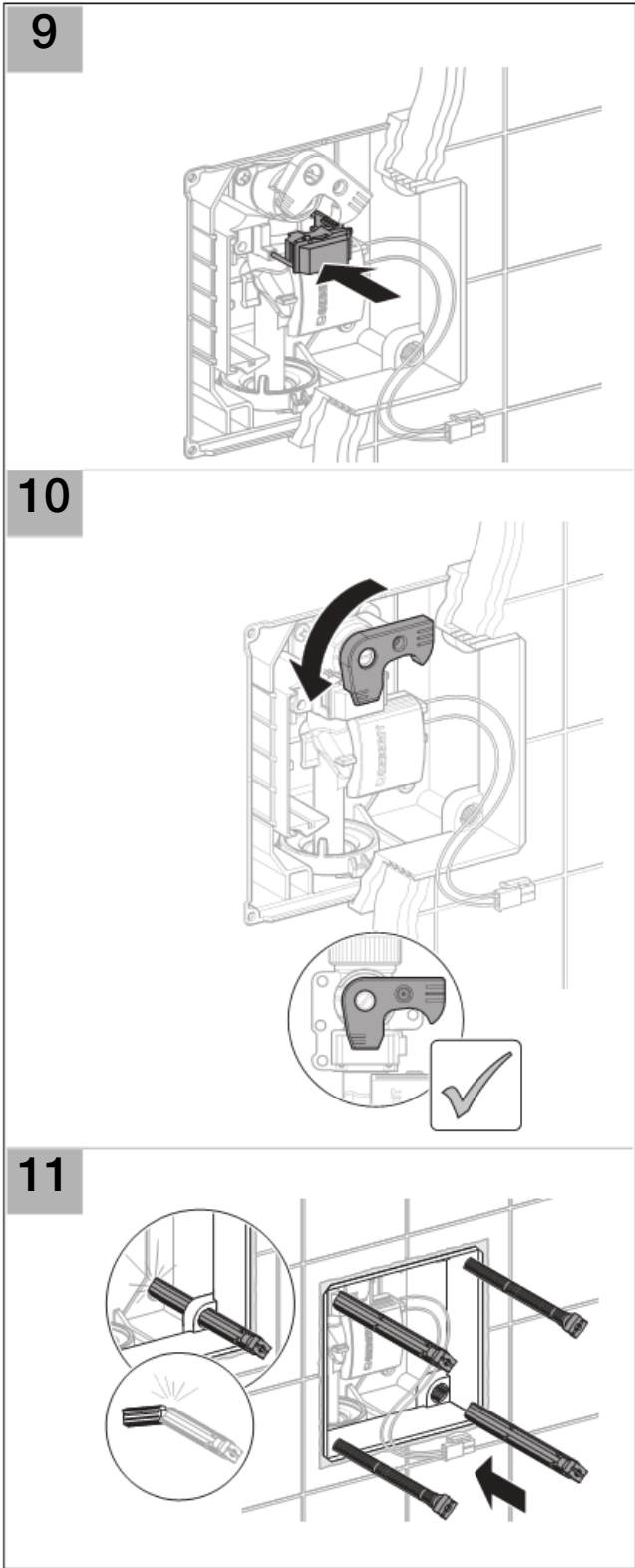
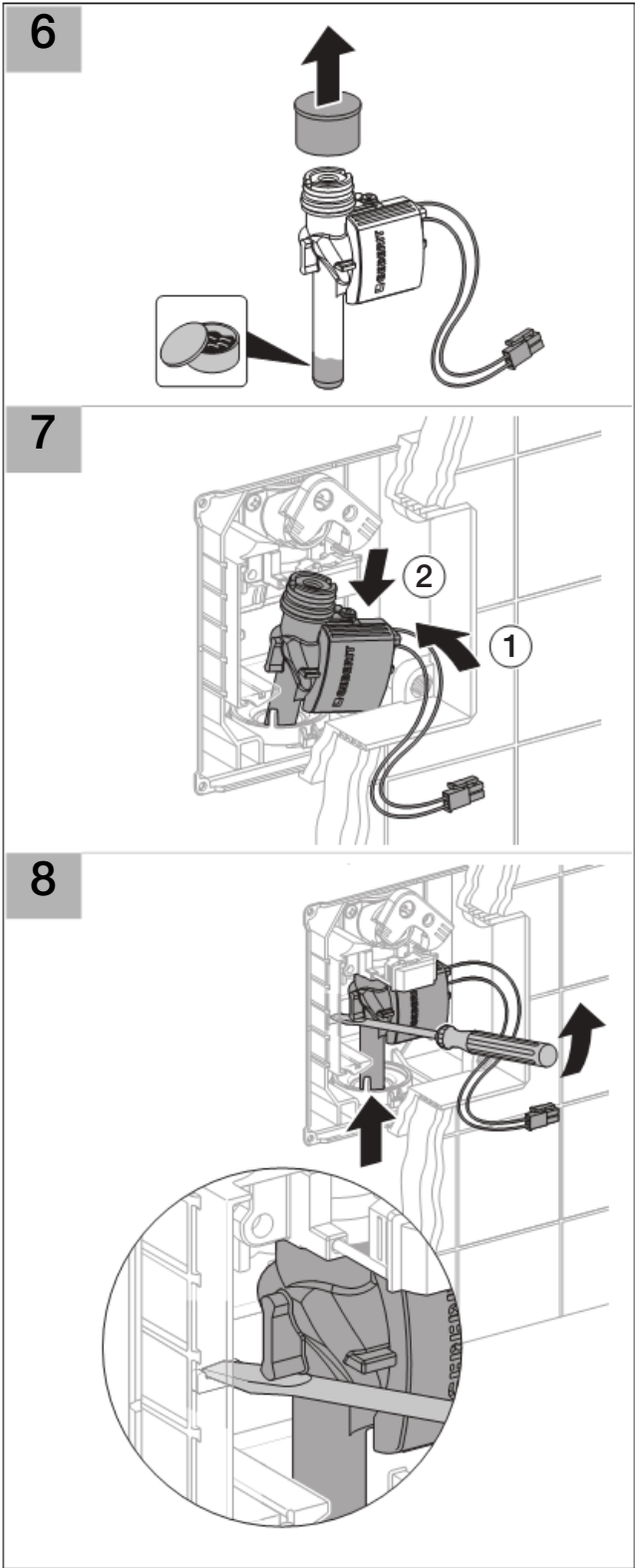


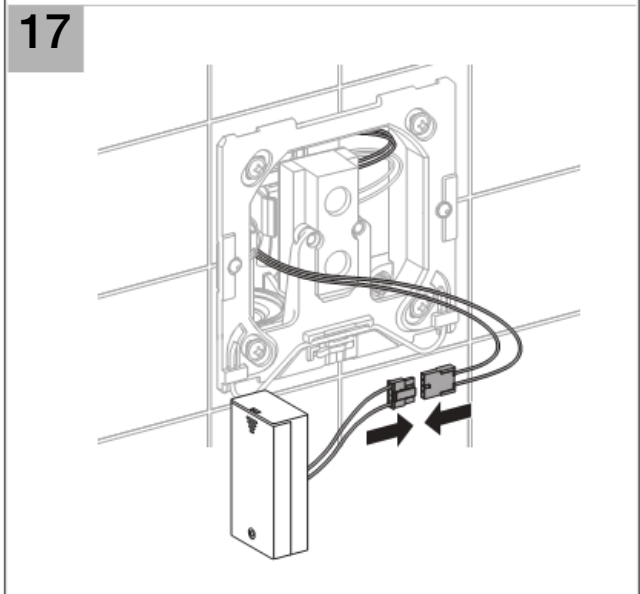
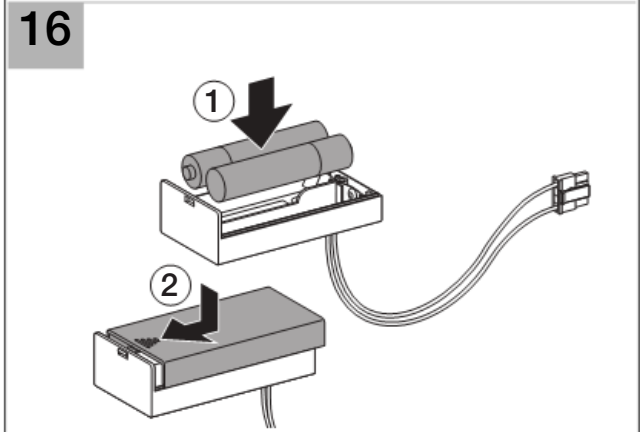
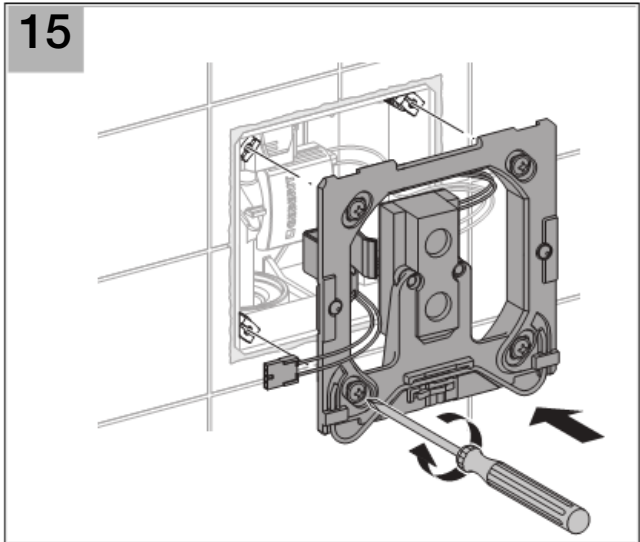
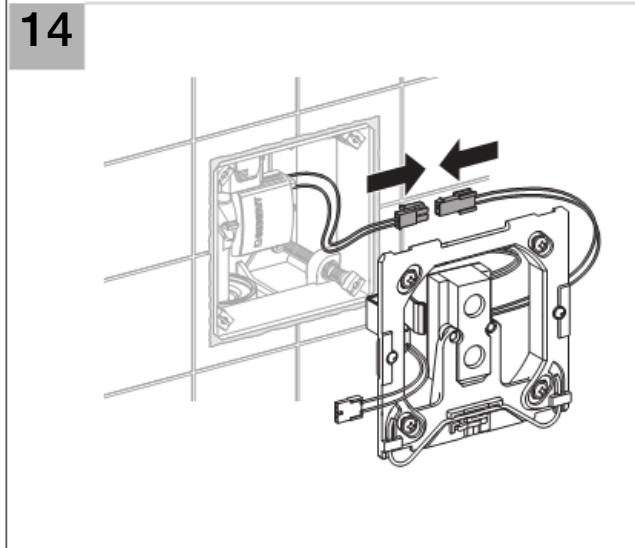
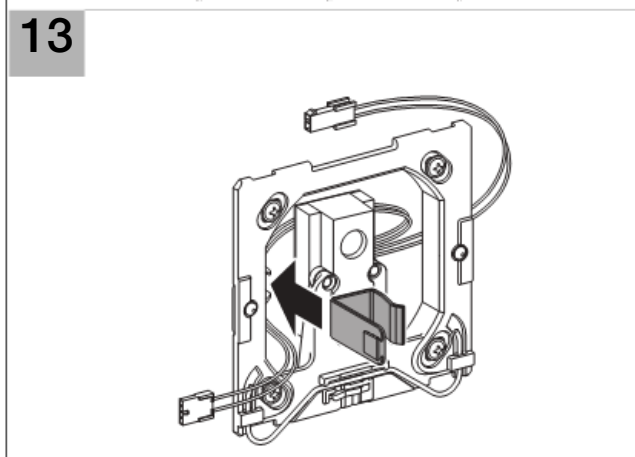
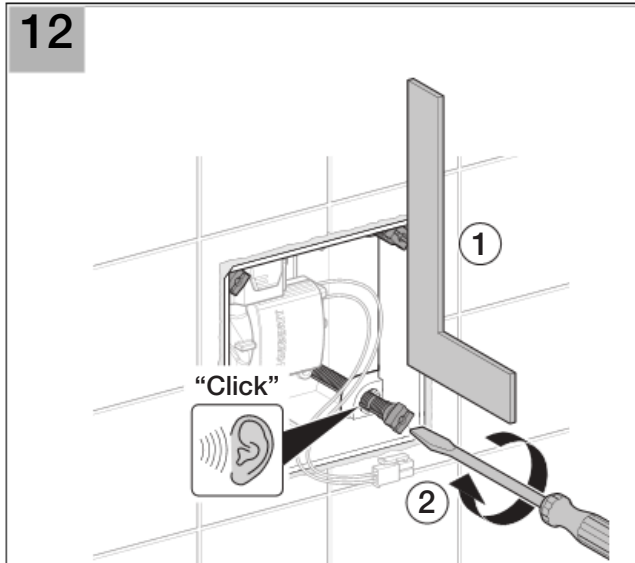
Type 10 and 30 urinal cover
Plate installation manual battery

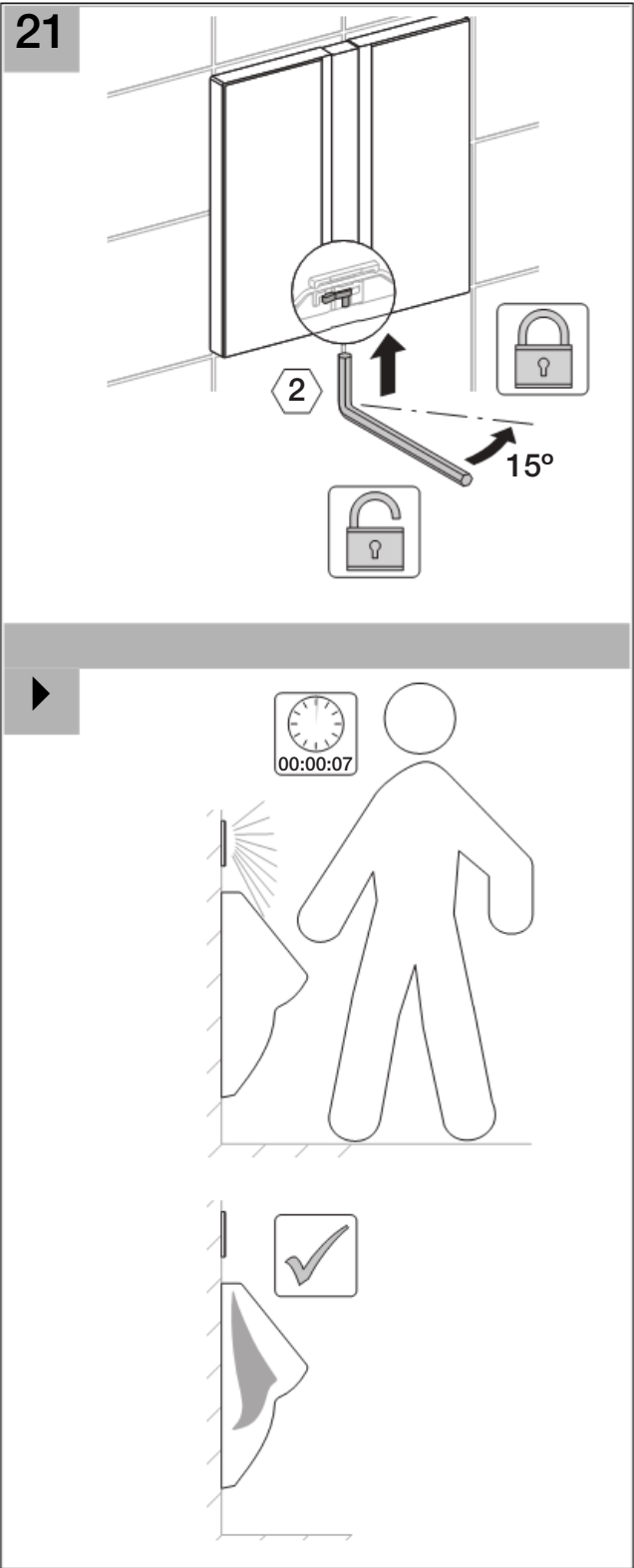
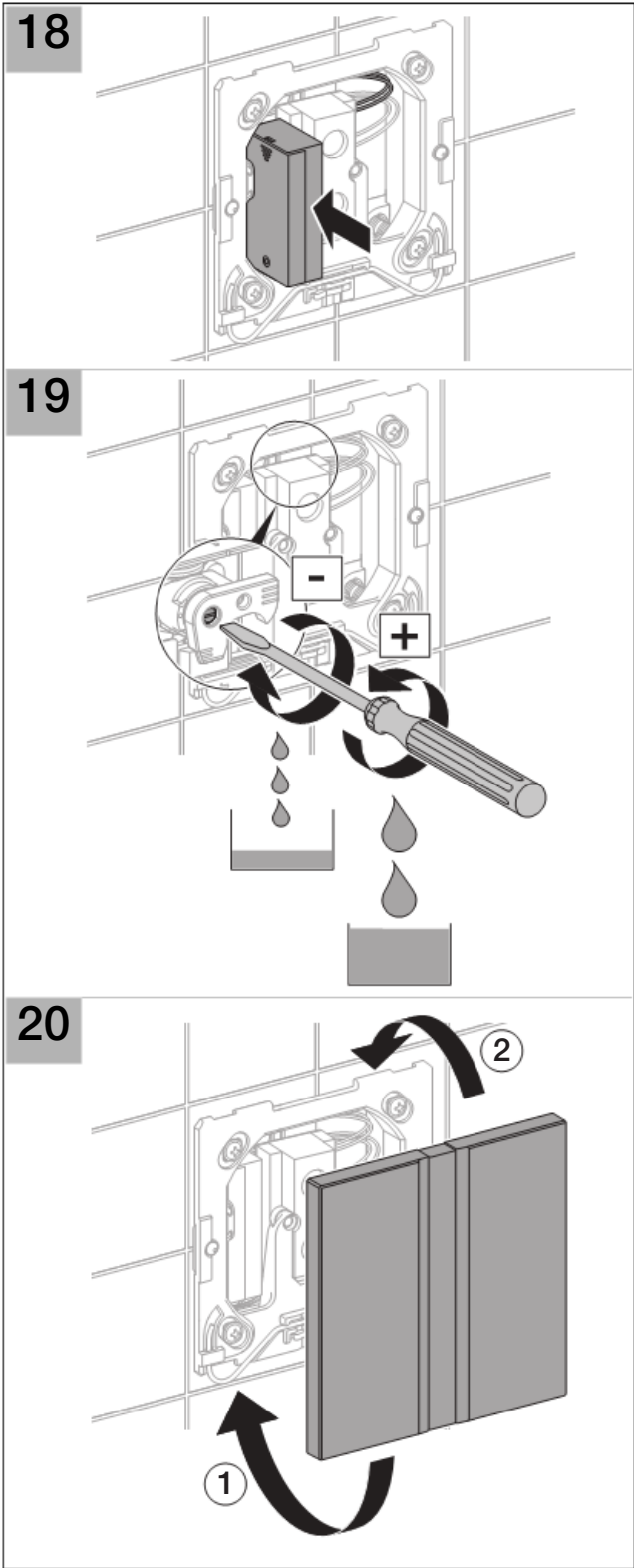


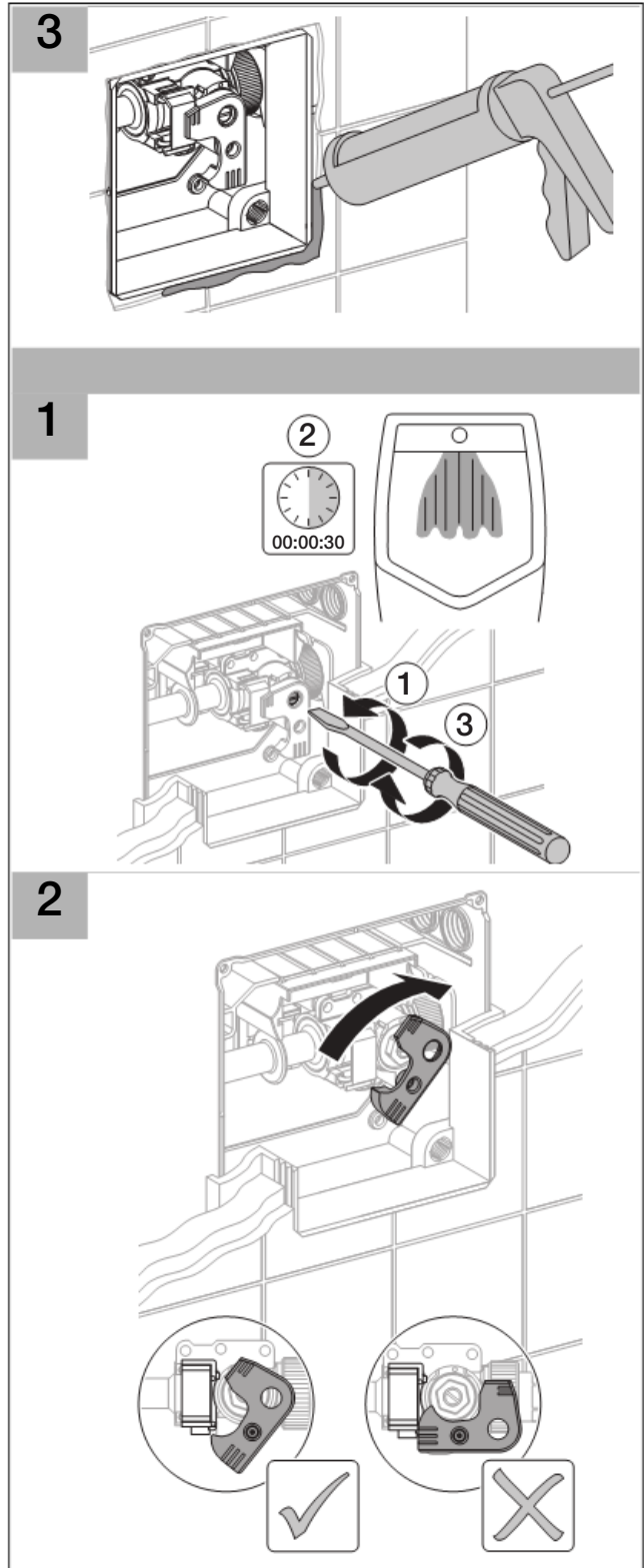
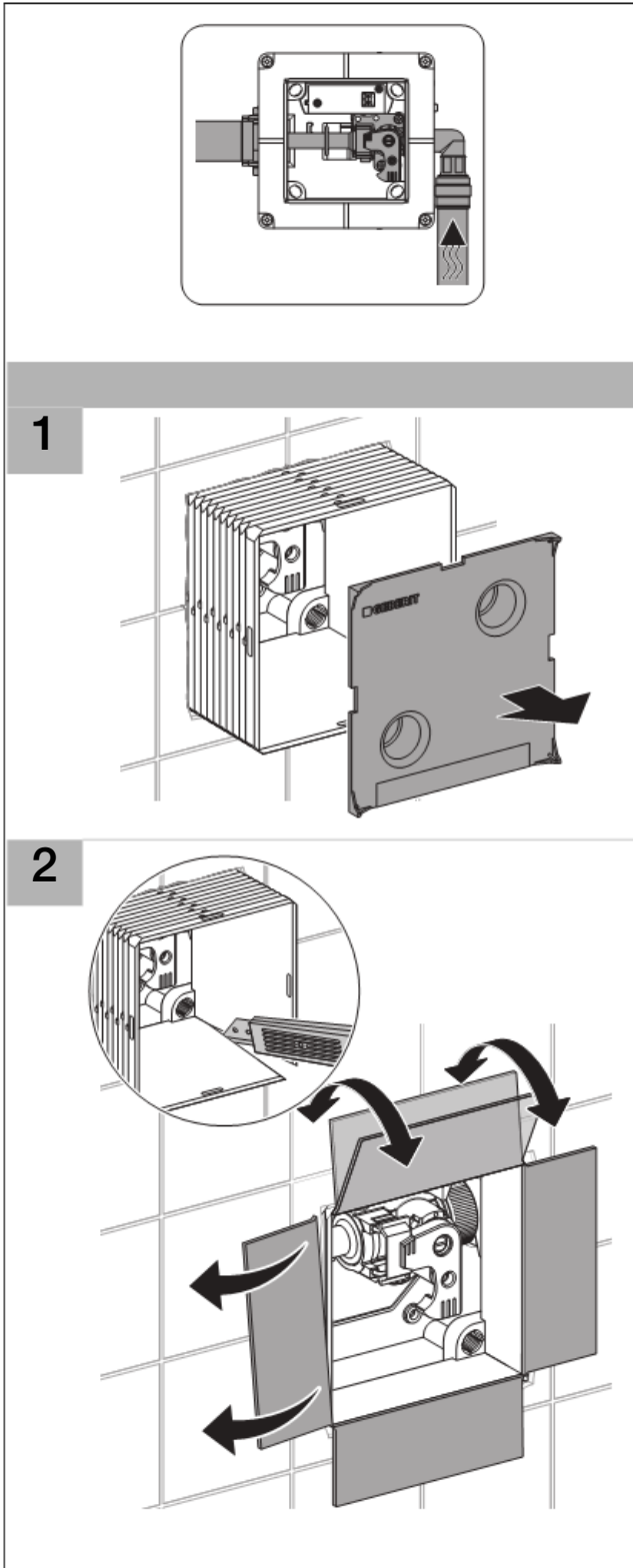
D20556-001&BDC © 04-2008

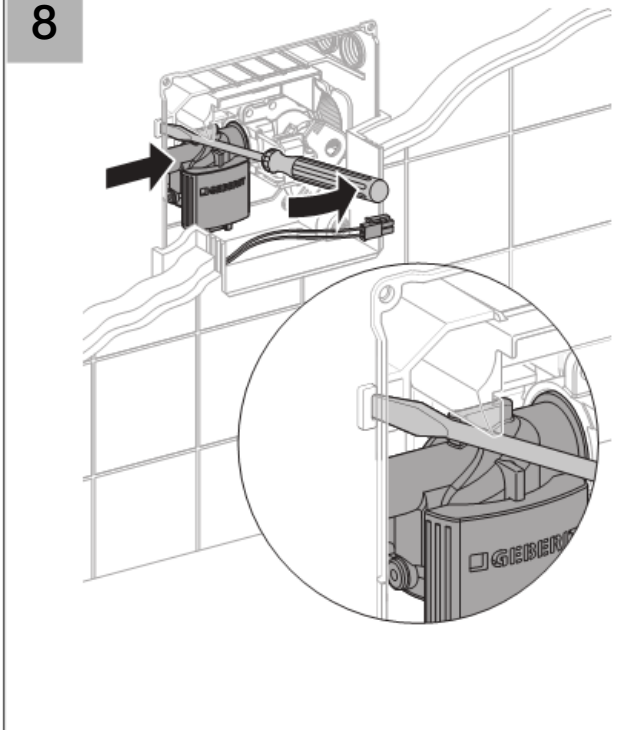
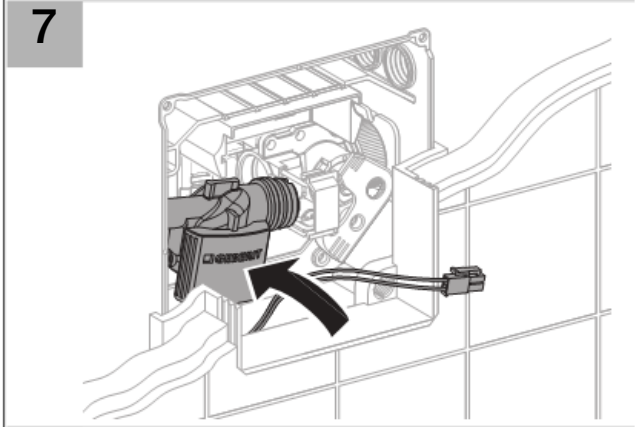
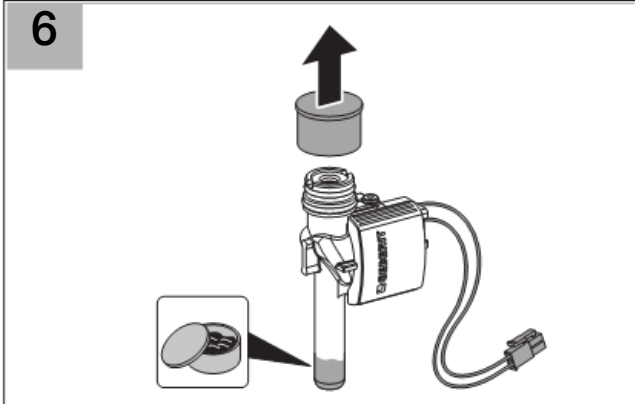
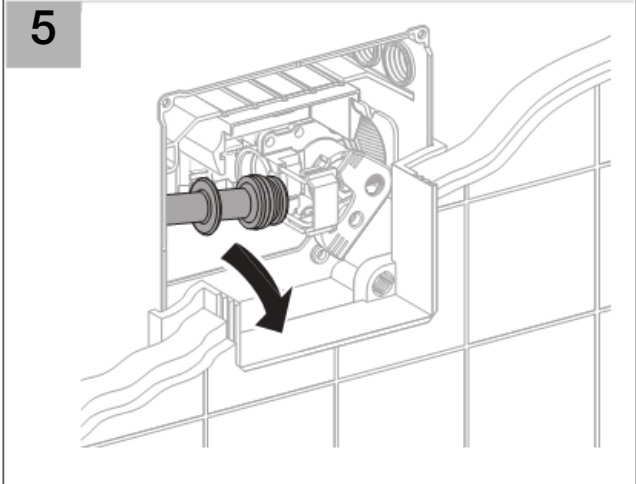
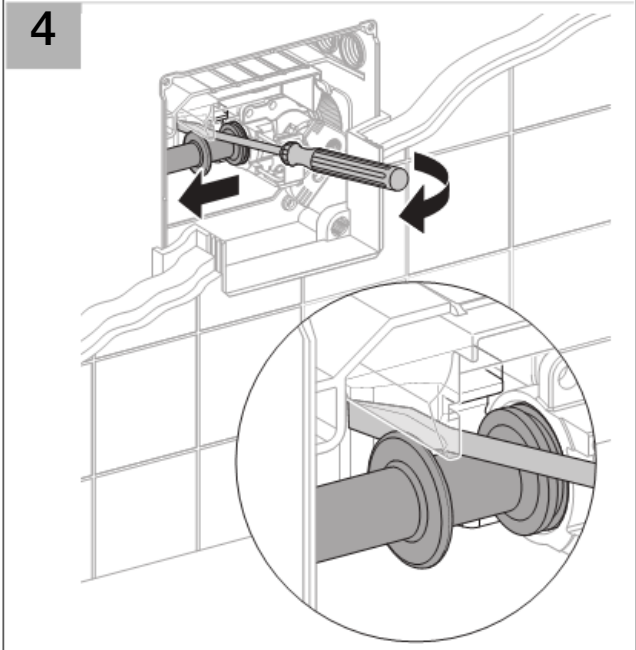
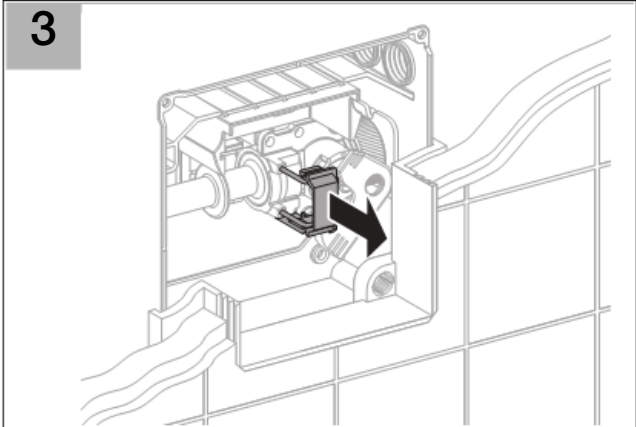


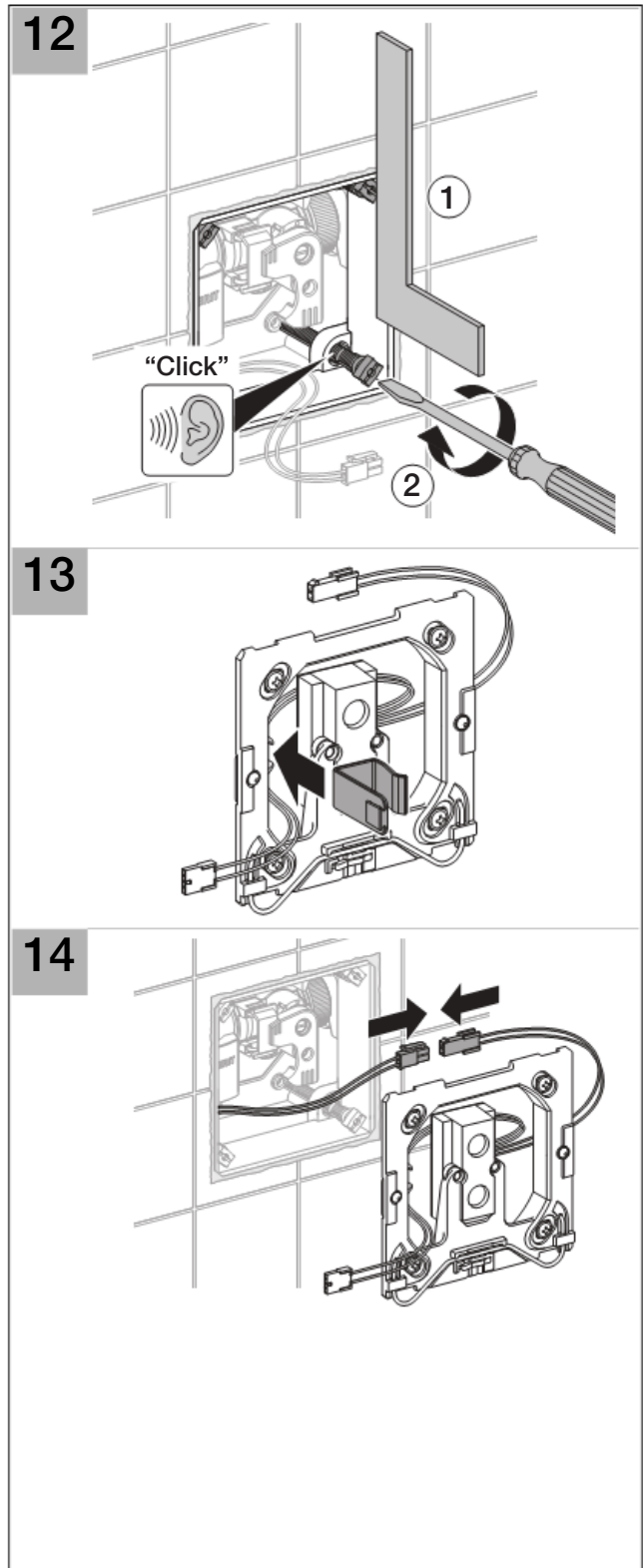
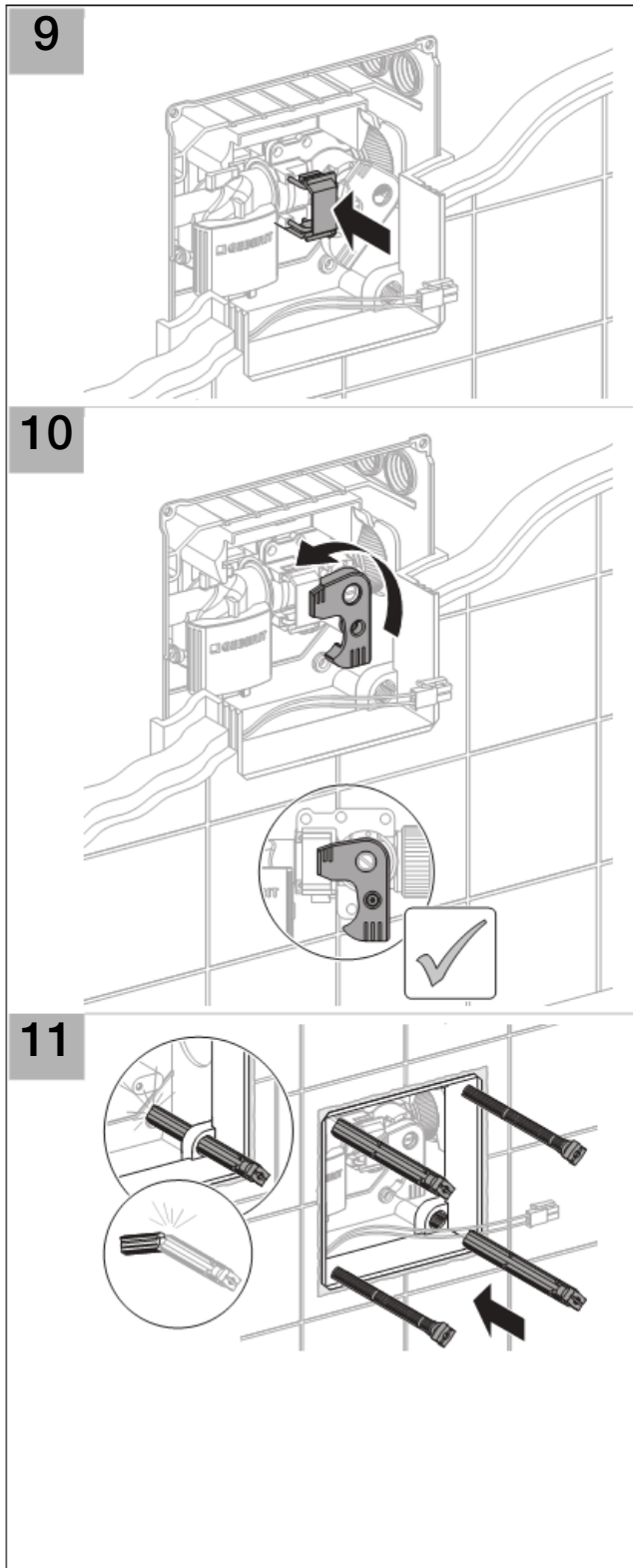


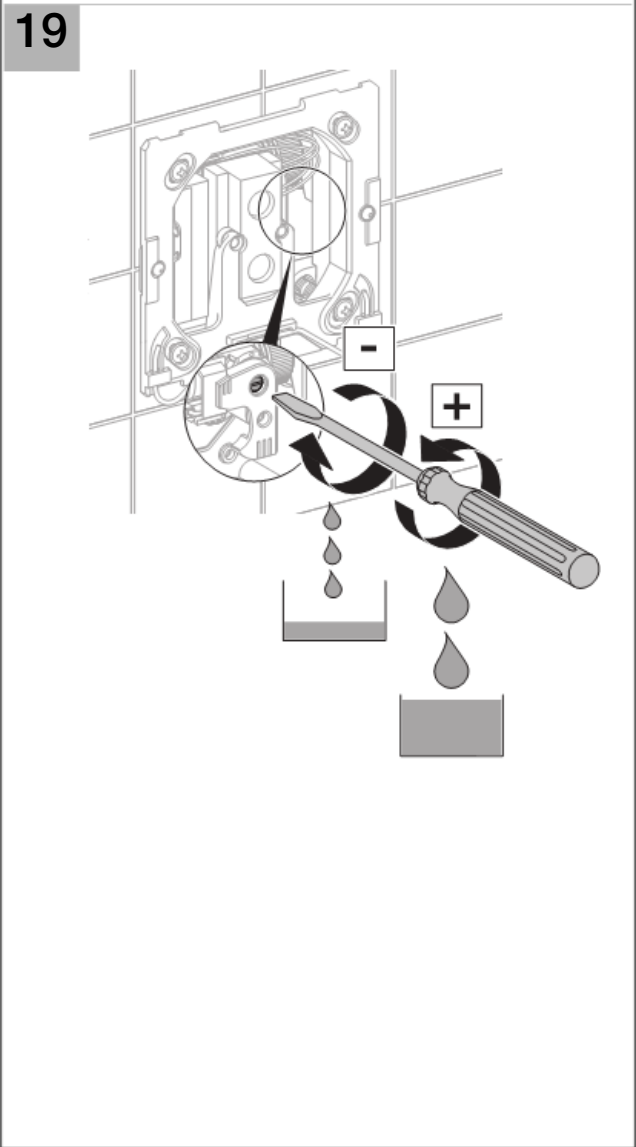
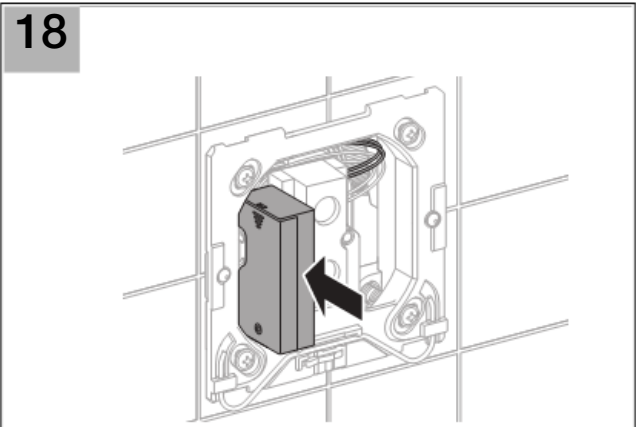
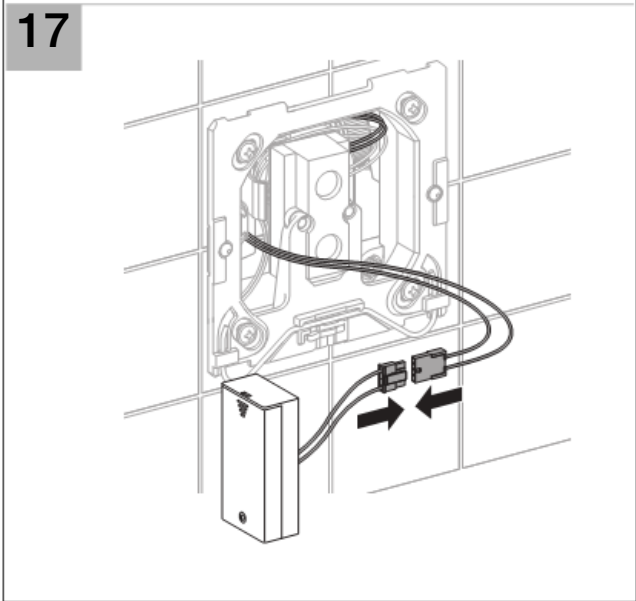
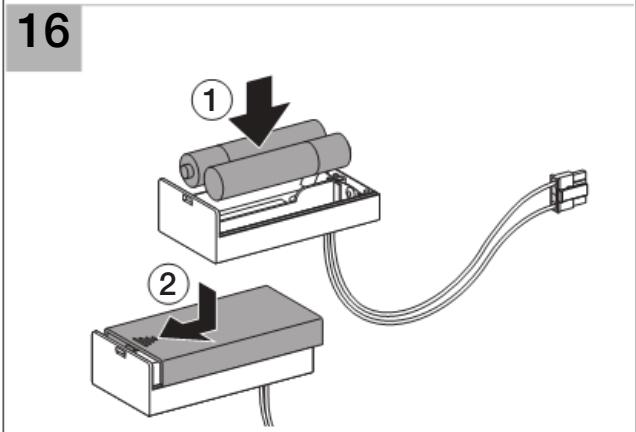
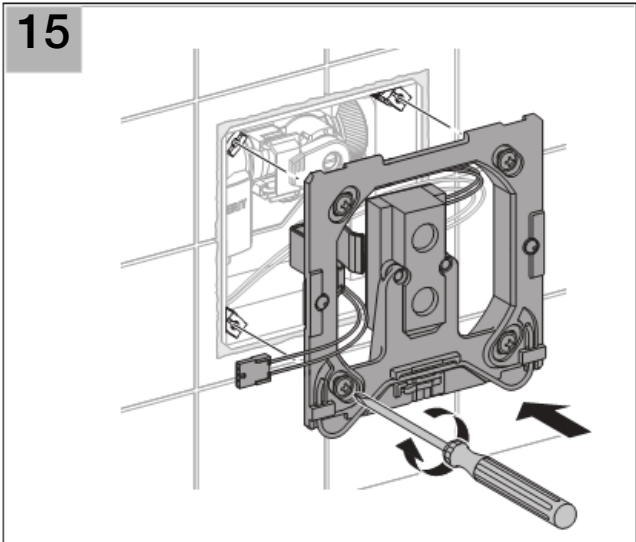


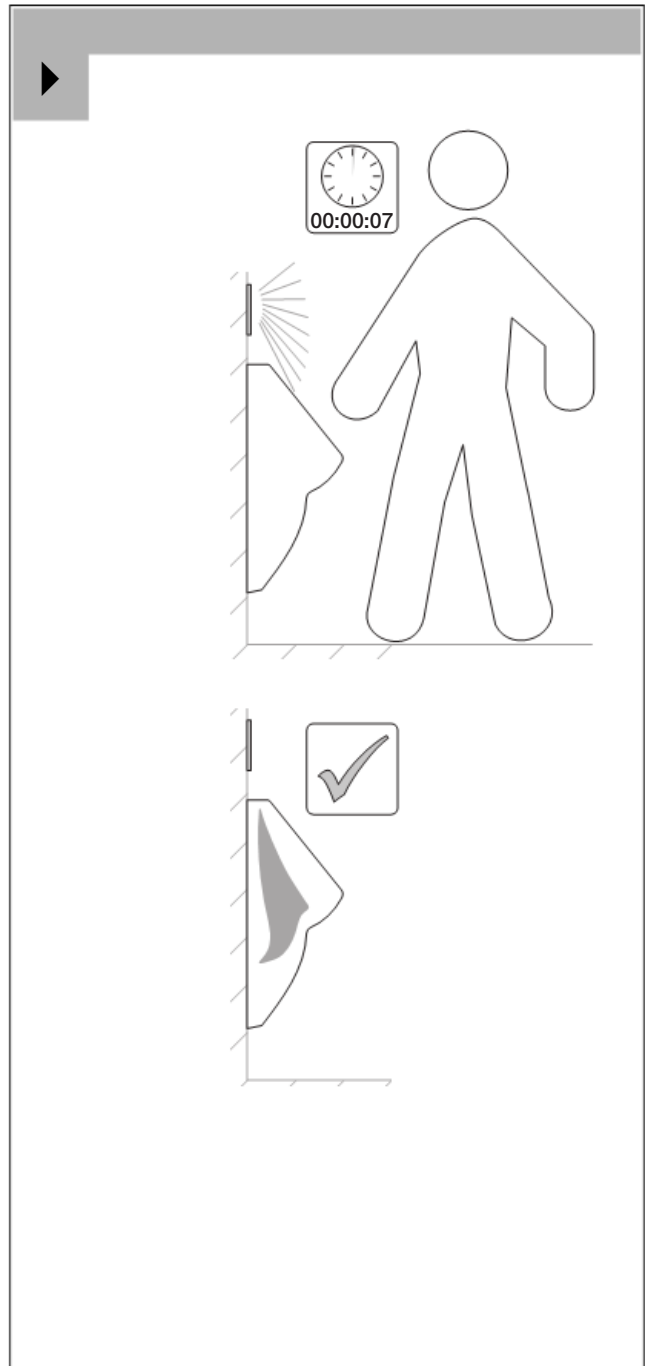
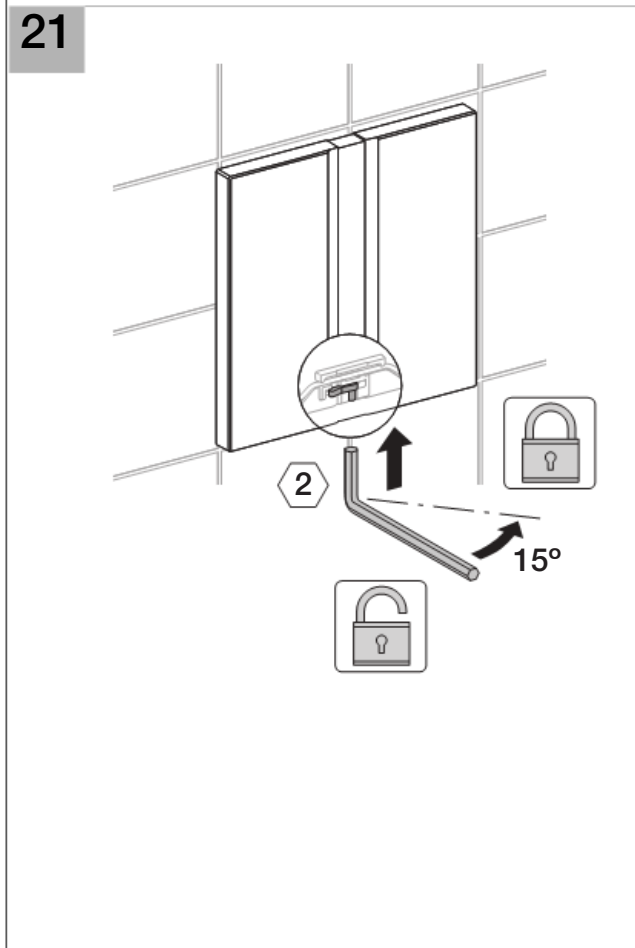
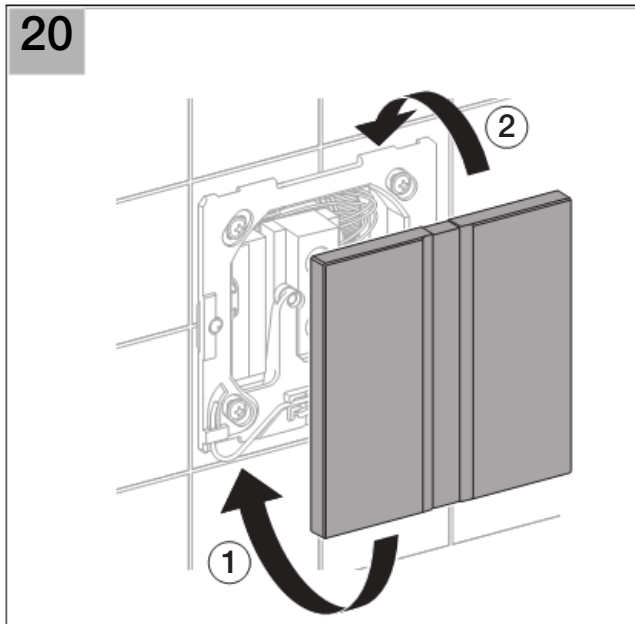








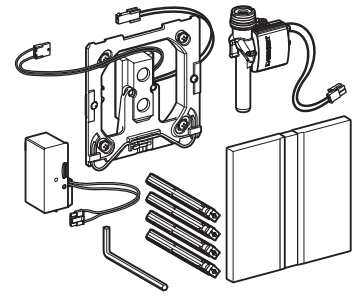




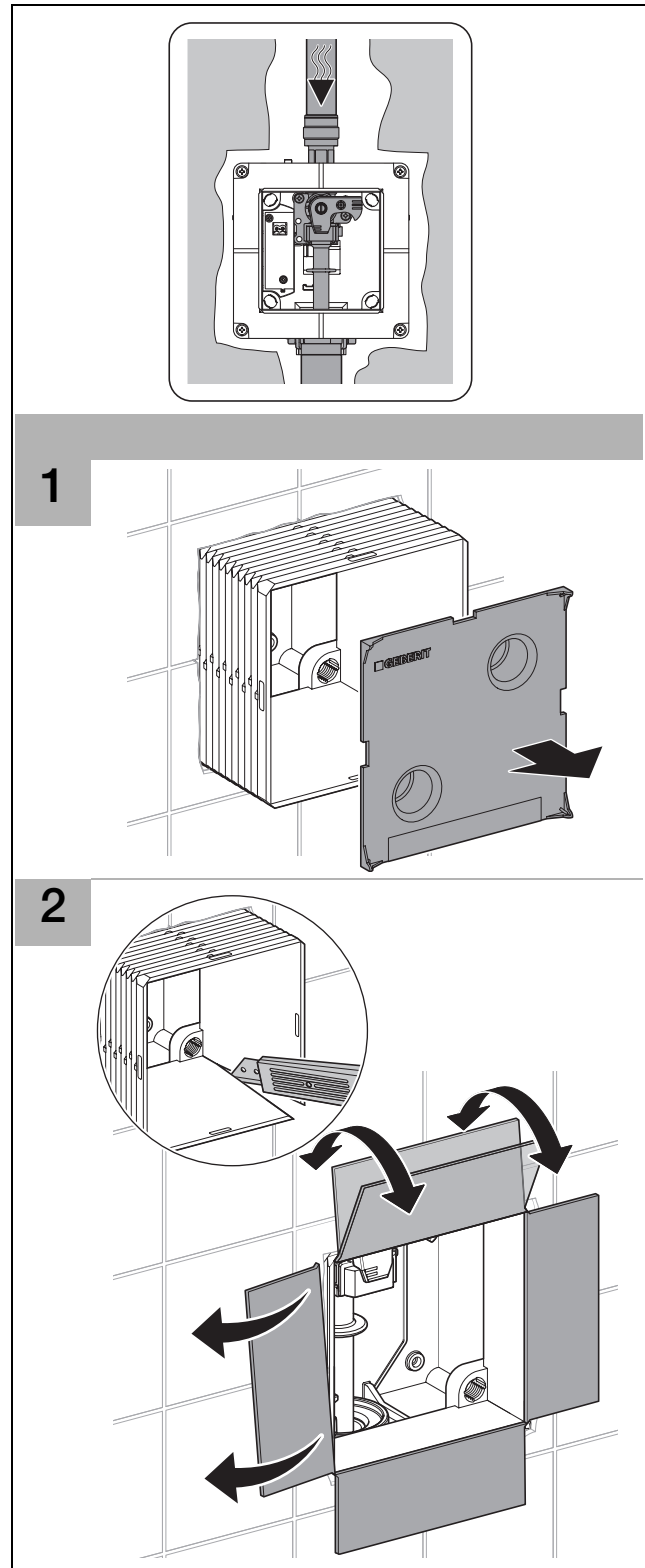
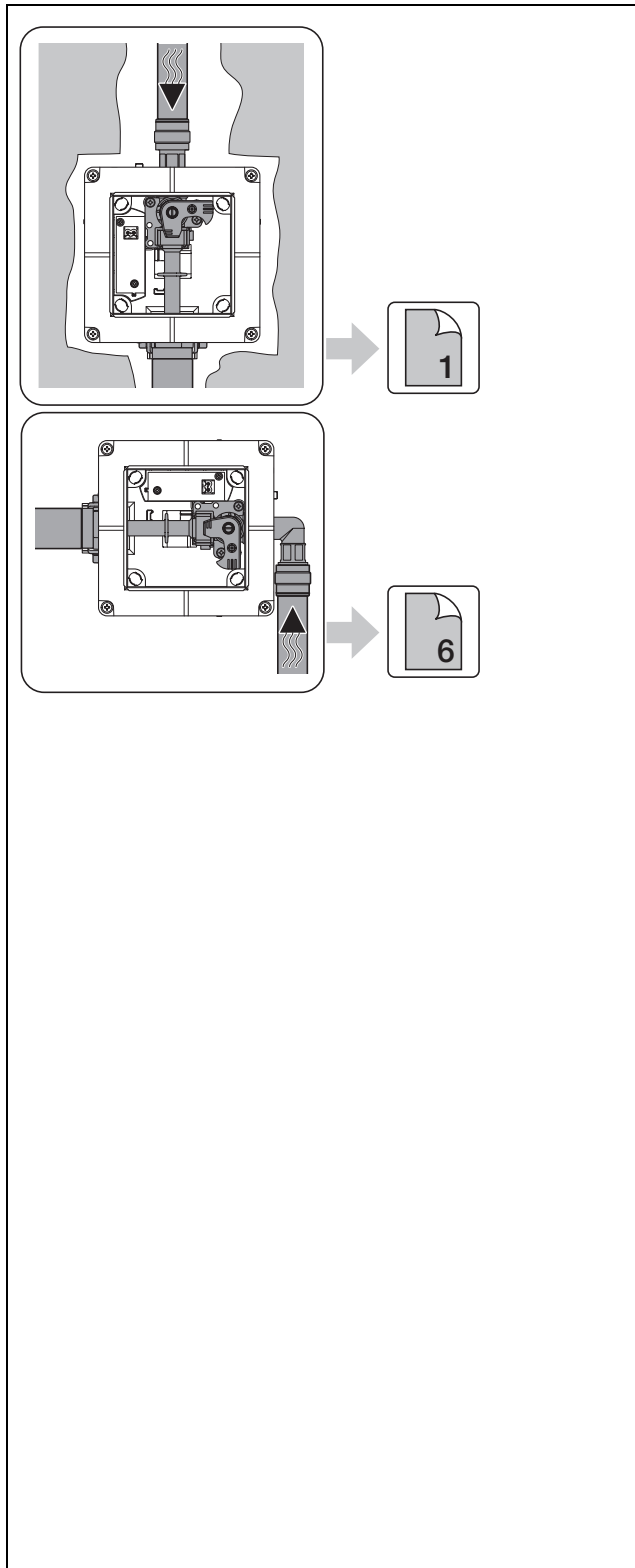
Geberit International AG
 Schachenstrasse 77
 CH-8645 Jona
www.geberit.com
dokumentation@geberit.com

D20558-001&BDC © 04-2008

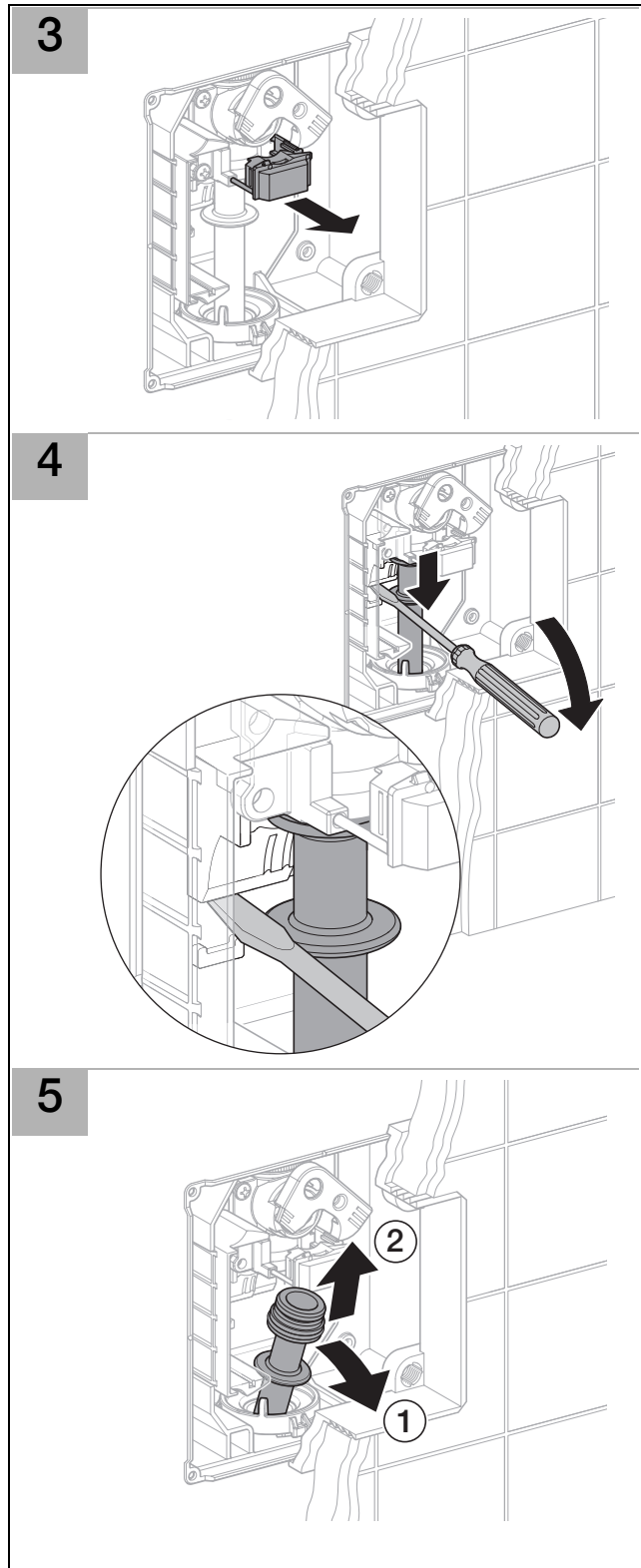
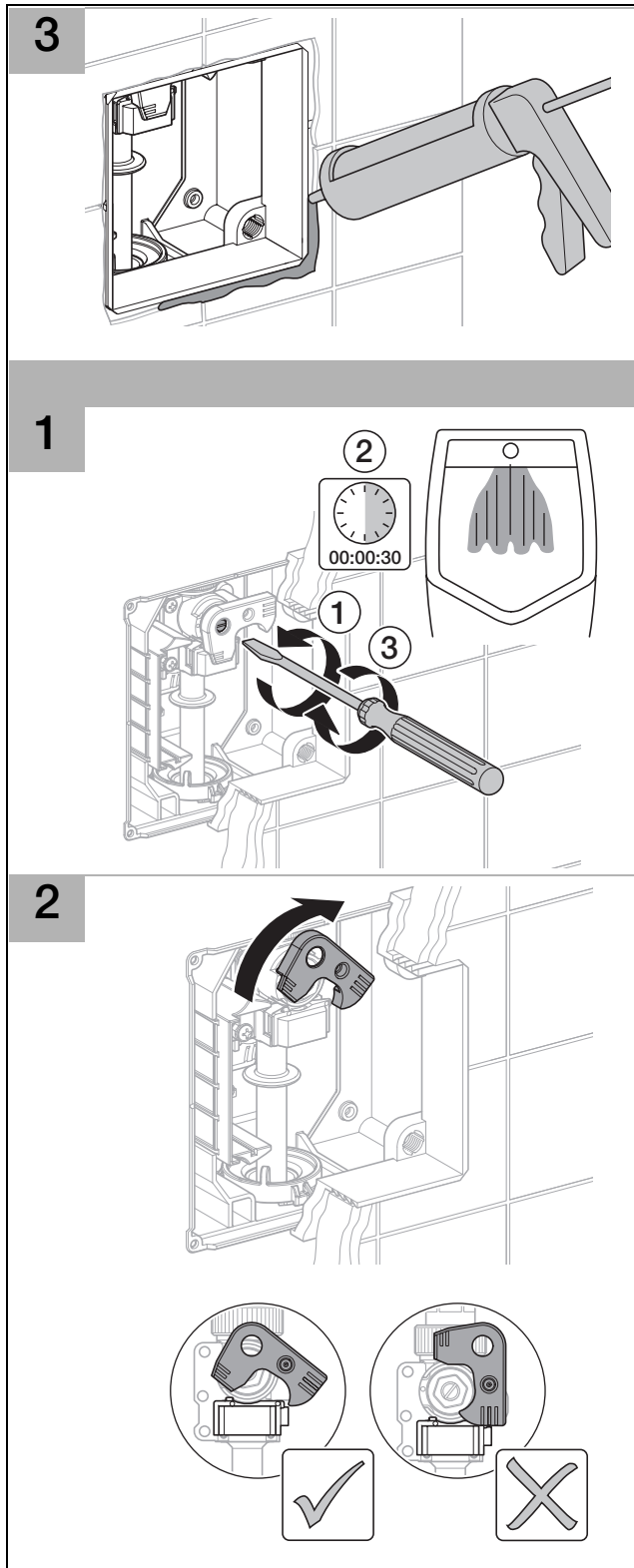
Installation

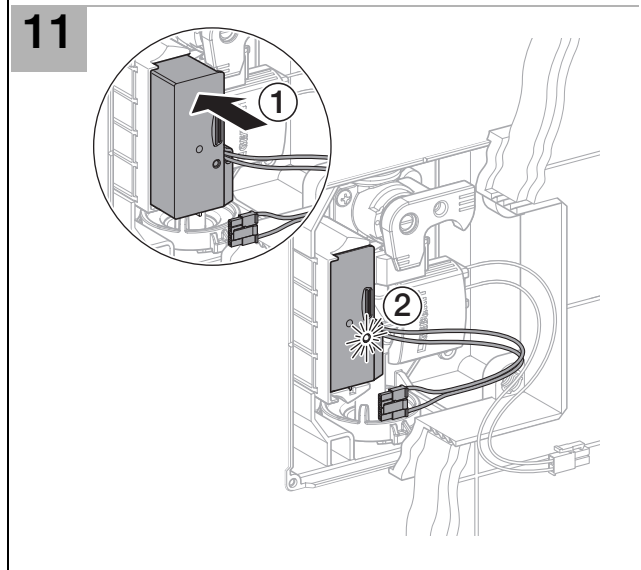
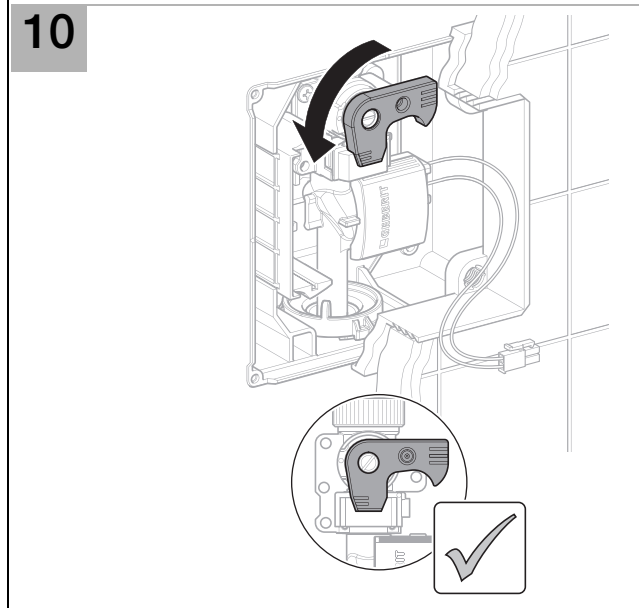
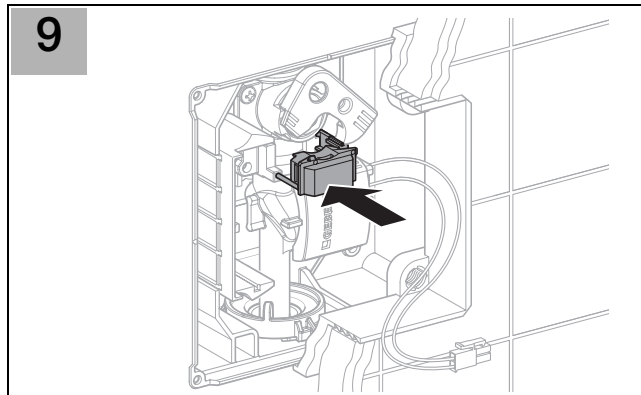
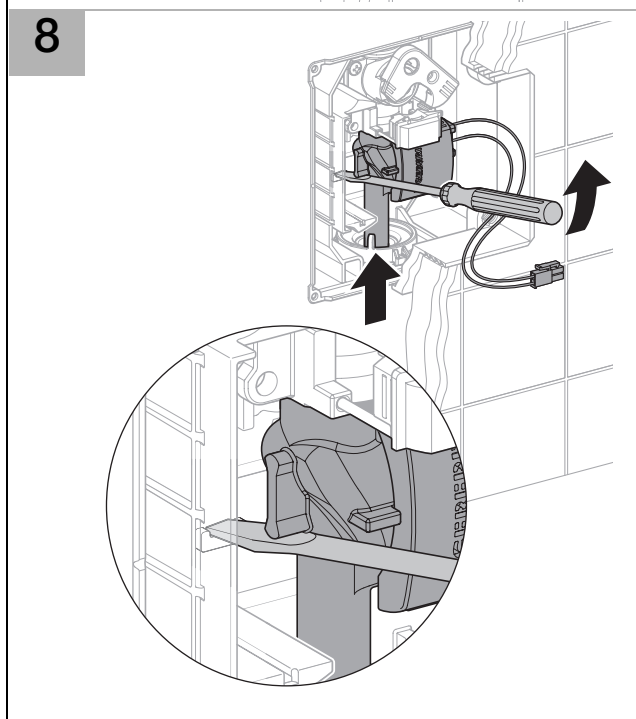
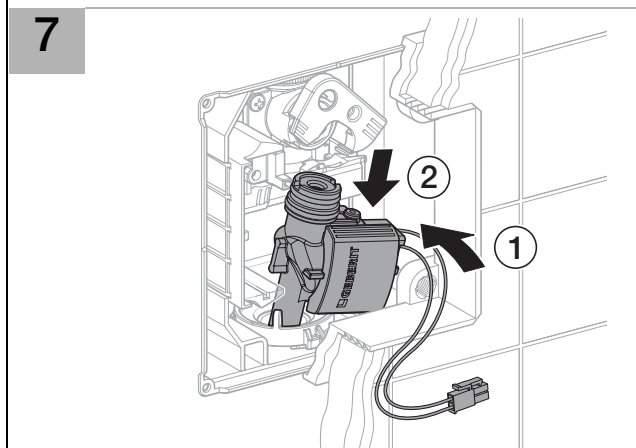
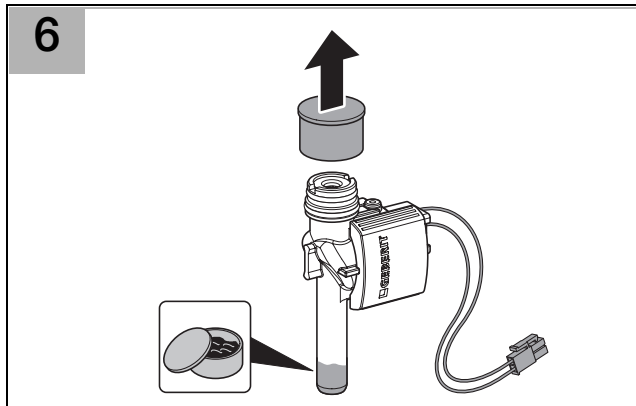


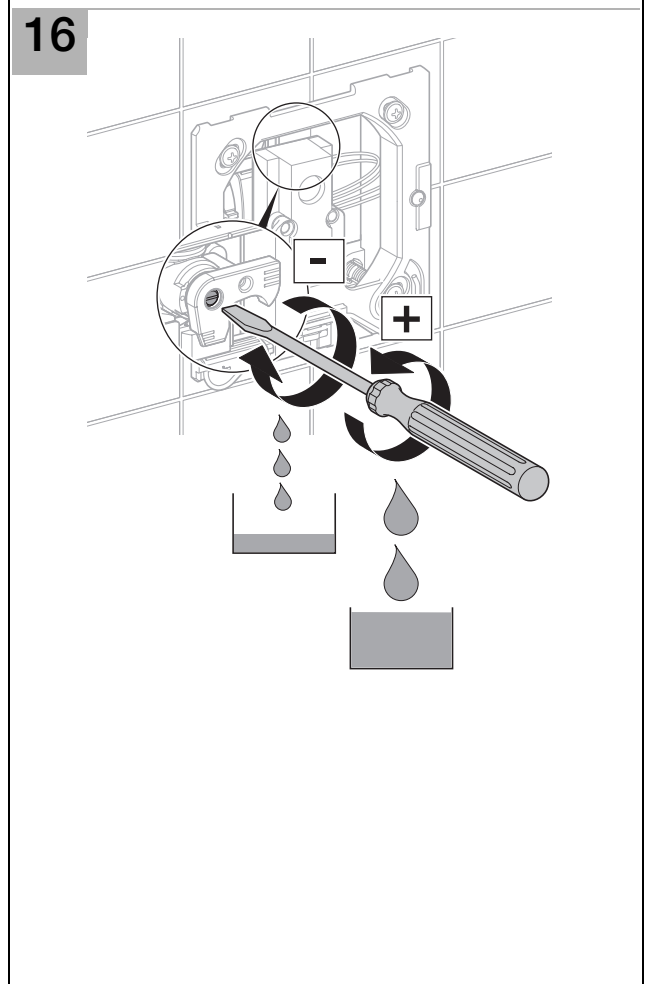
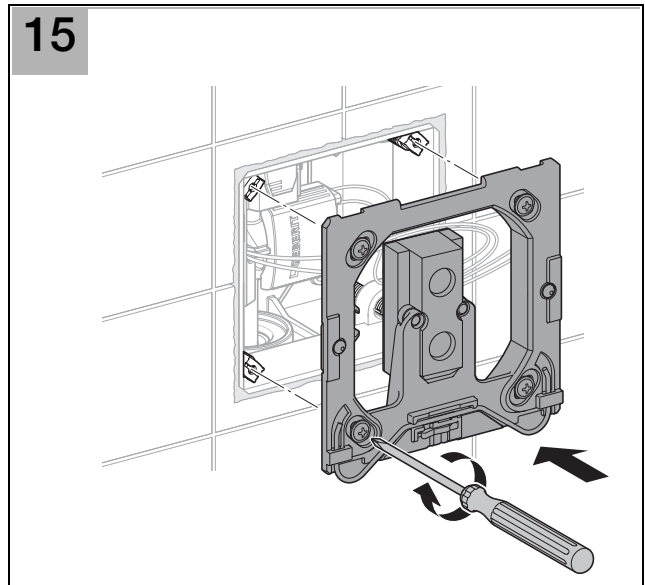
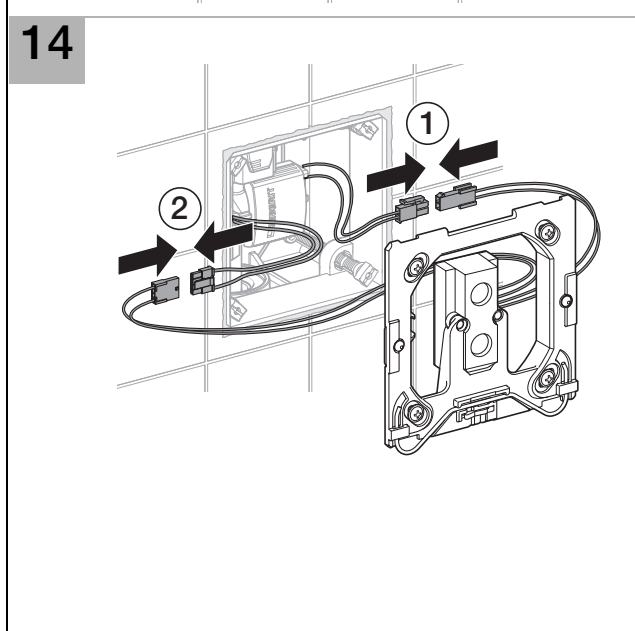
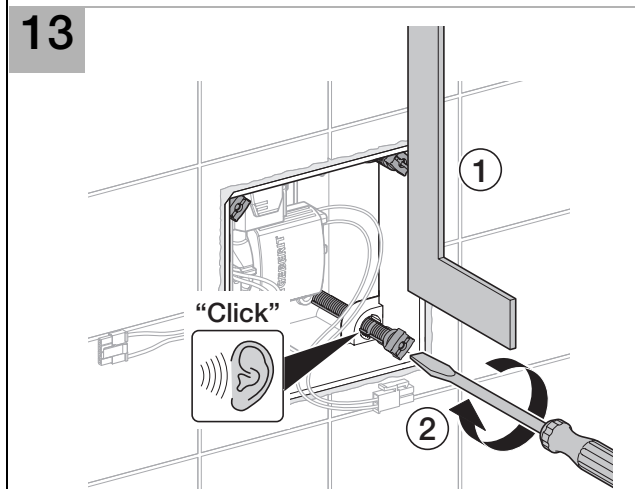
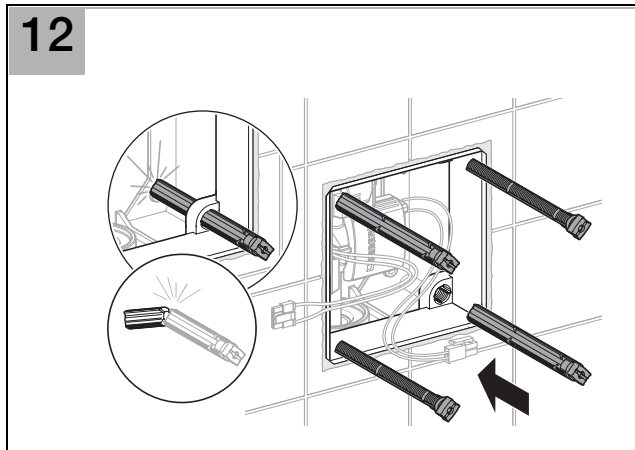
Type10 and 30 urinal cover Plate installation manual main supply



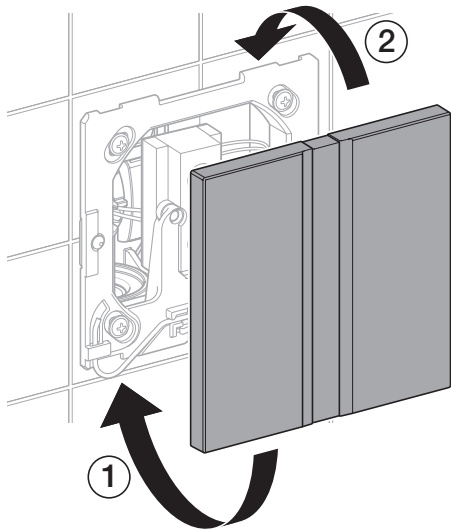
D30450-001&BDC © 04-2008



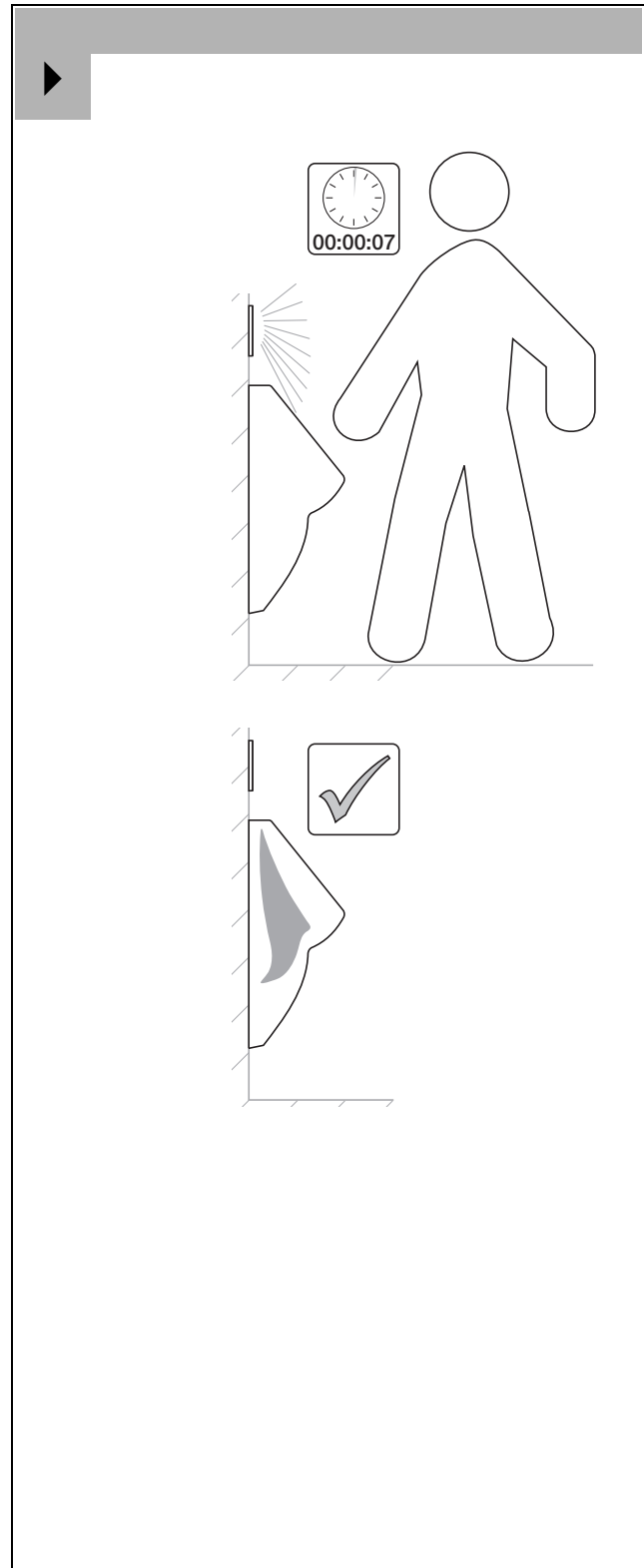
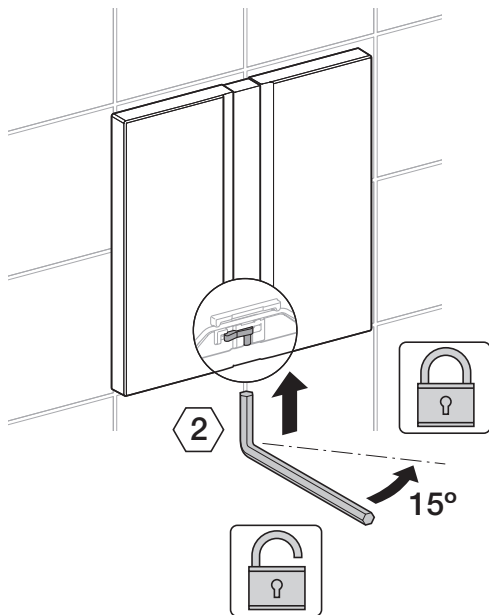


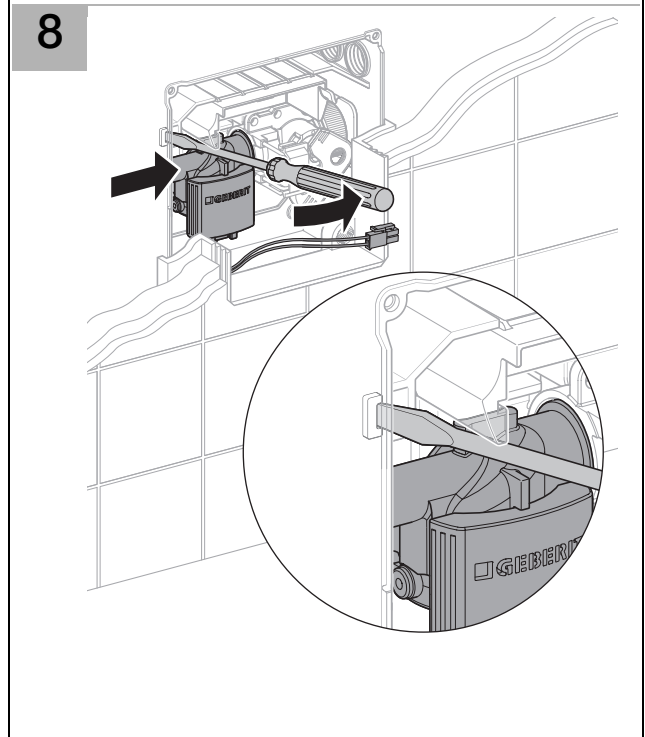
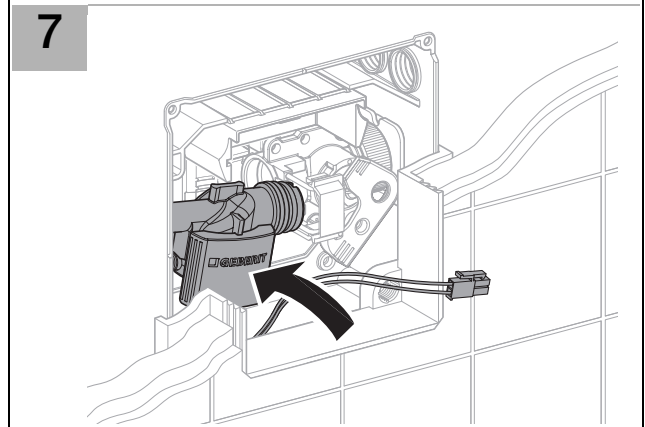
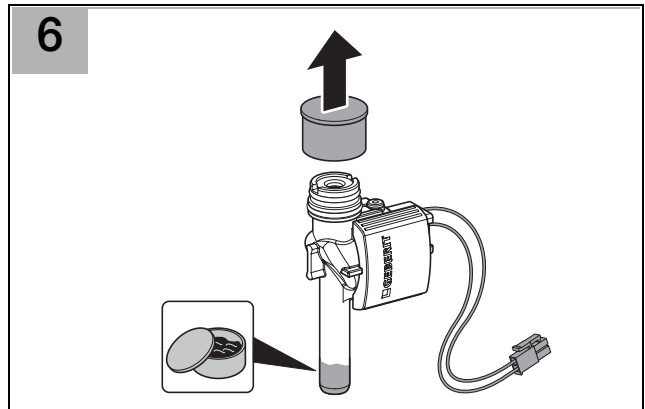
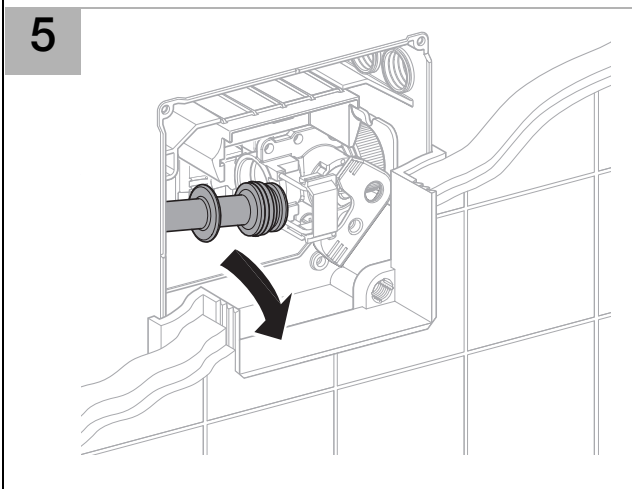
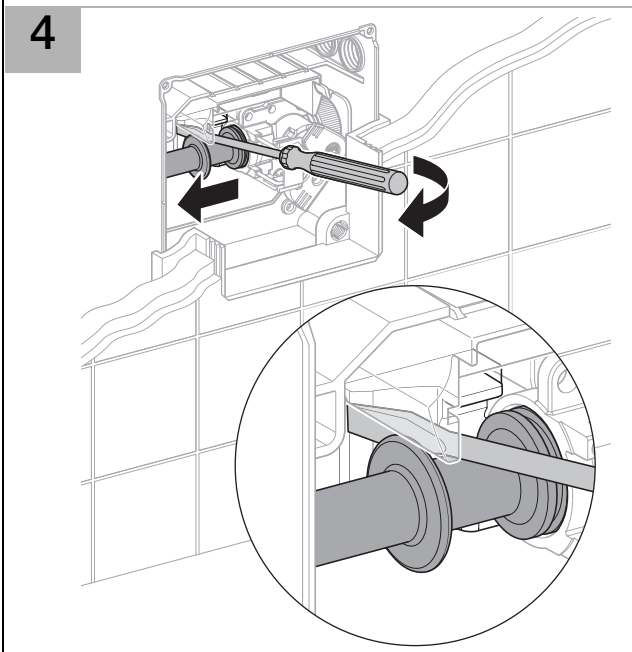
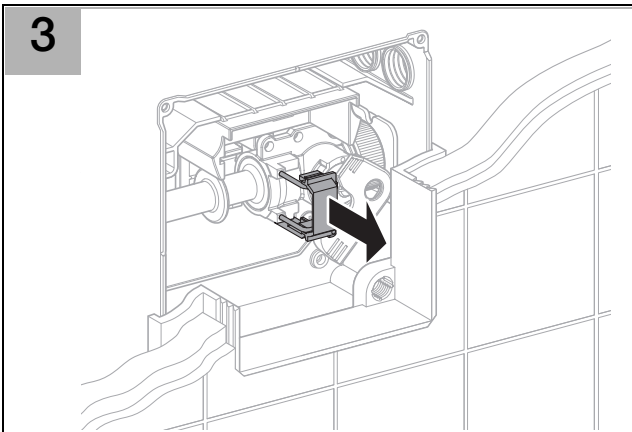


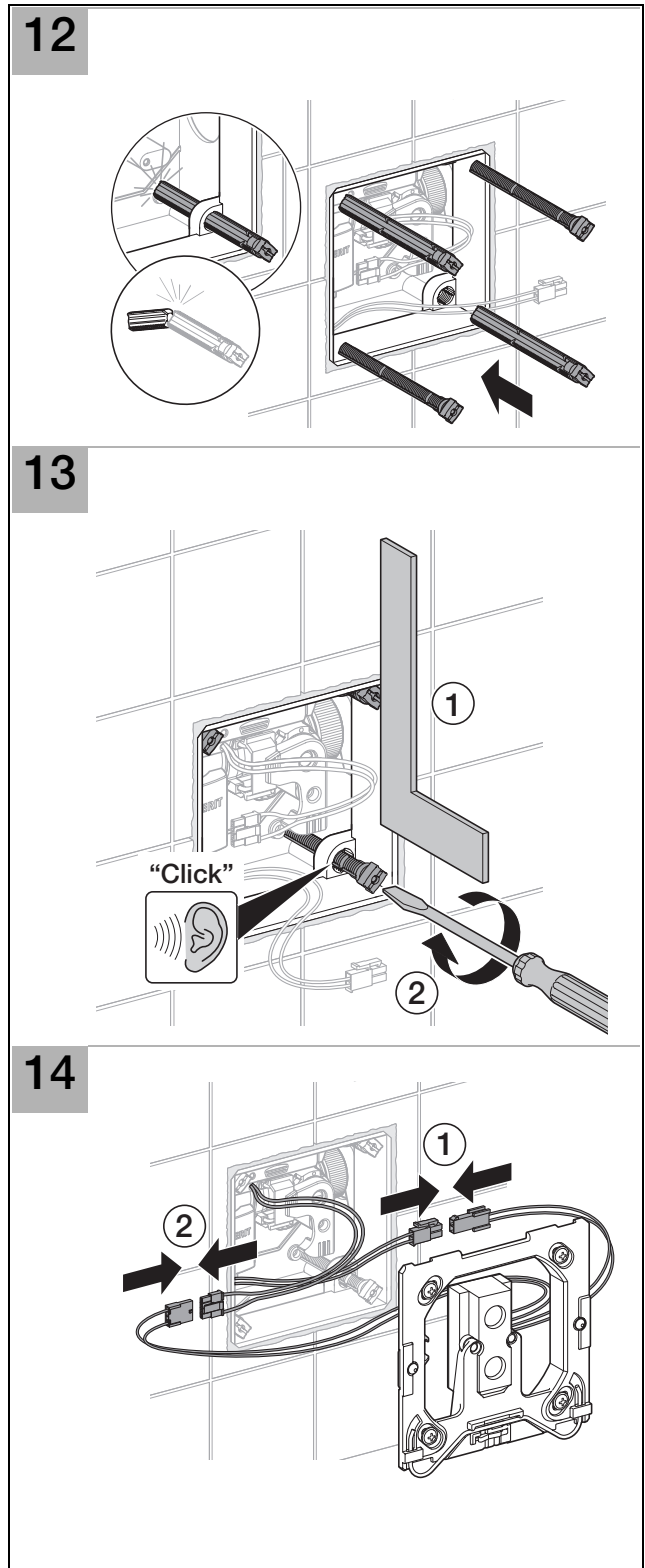
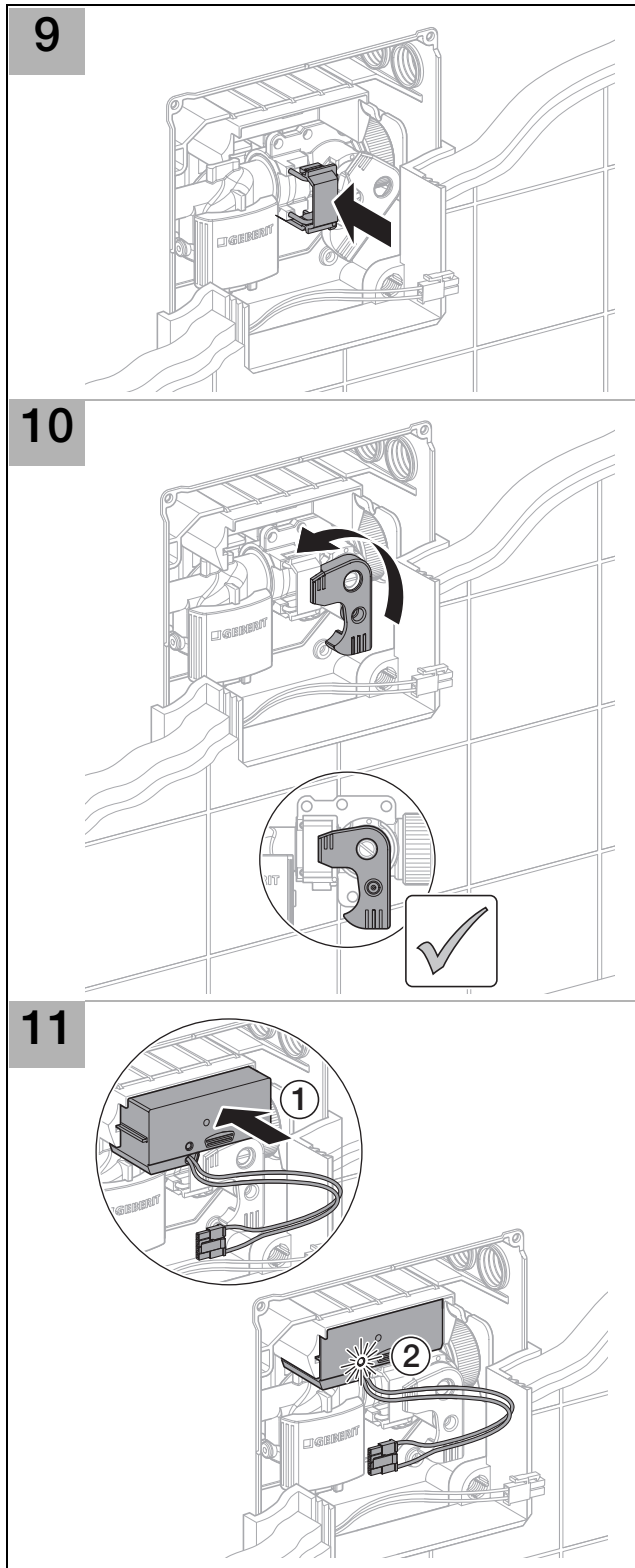
17



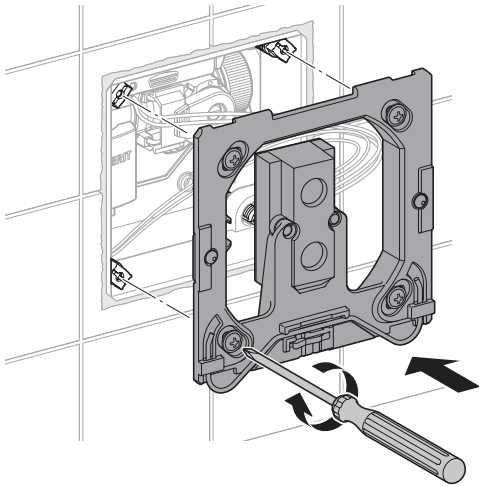
18



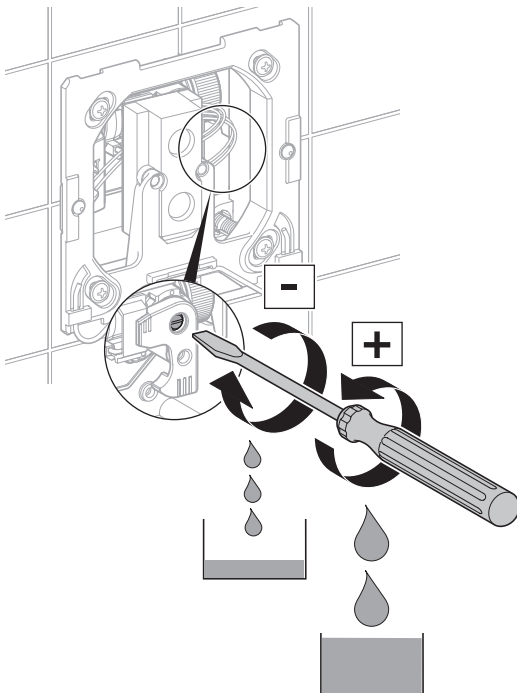




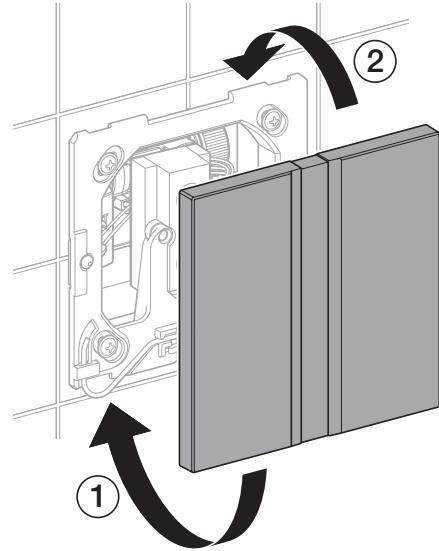
15



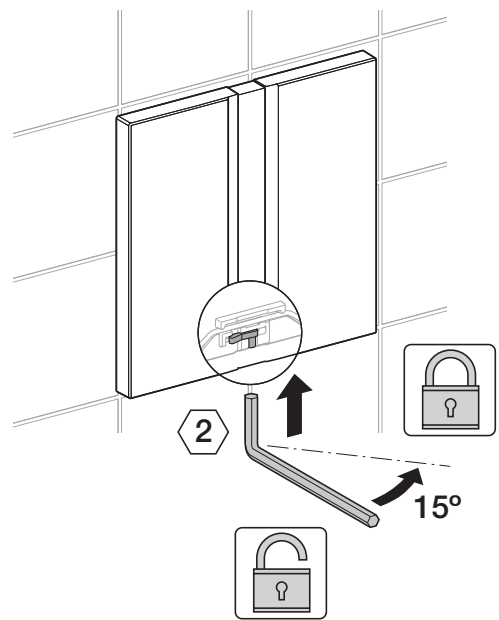
16

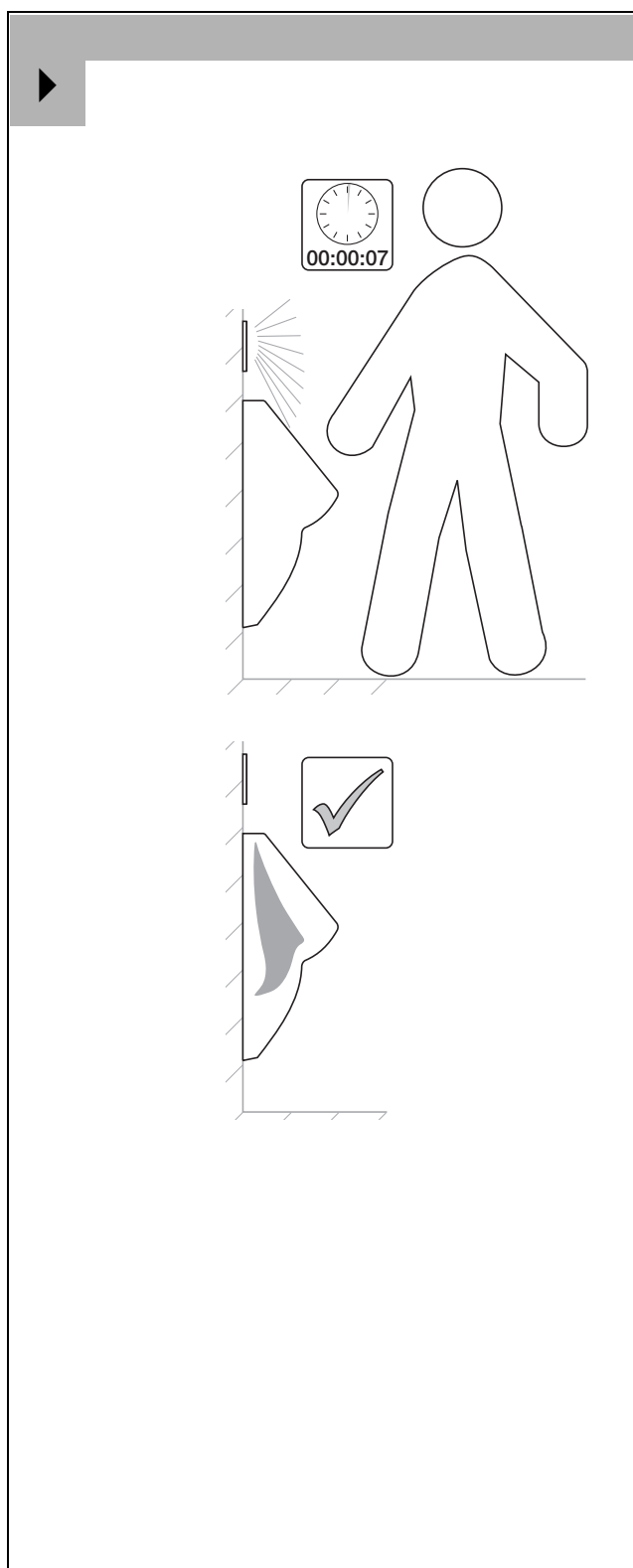


17



18





Geberit International AG
Schachenstrasse 77
CH-8645 Jona
www.geberit.com
dokumentation@geberit.com

D30450-001&BDC © 04-2008