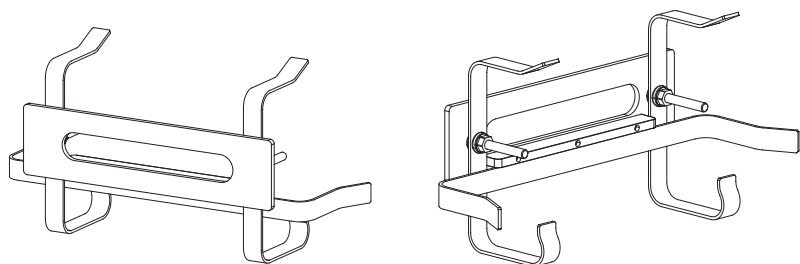


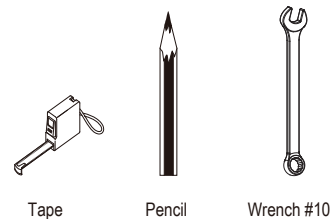
Product image



Front view

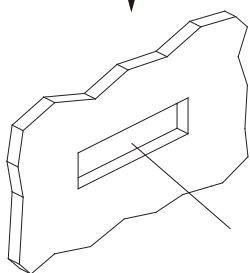
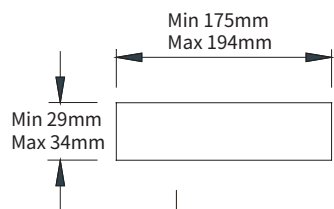
Rear view

Tools required for installation



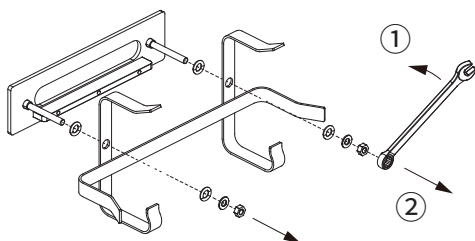
Note: Tools for cutting studs, wall/washbasin panel not listed here

01 Cut a rectangular hole on the wall/washbasin panel



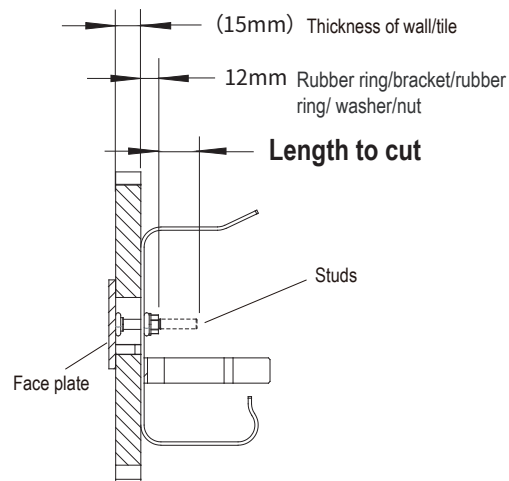
Rectangular hole:
 Length: 175-194mm
 Width: 29-34mm

02 Separate bracket from face plate

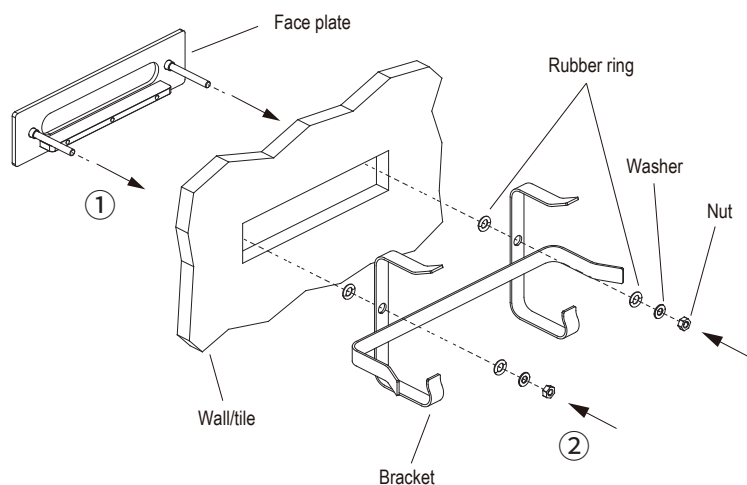


03 Cut the studs to suitable length

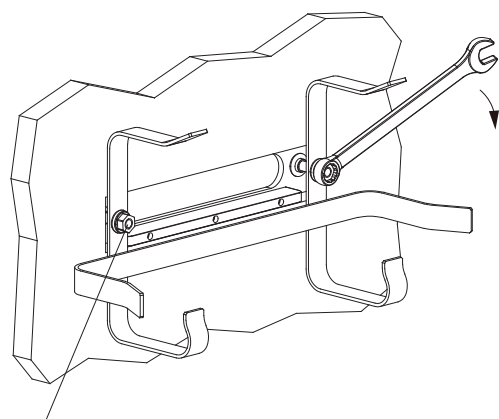
Cut the studs short for the thickness of the wall/tile. Make the end of the stud flush with the nut after installation locking



04 Place the parts as installation diagram below



05 Lock the bracket



End of the stud is flush with the nut

Lock the nut with wrench #10