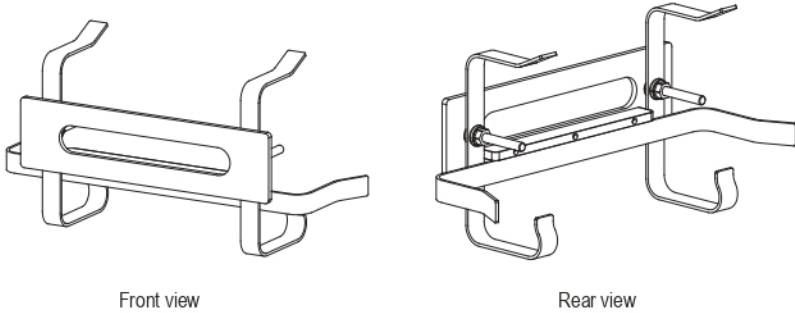
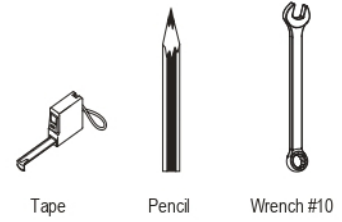


Product image

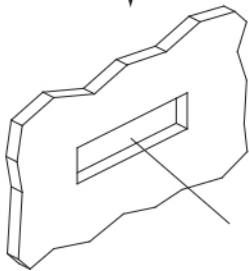
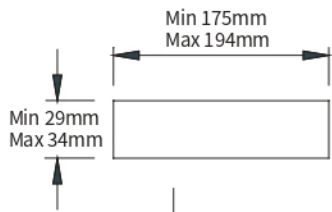


Tools required for installation



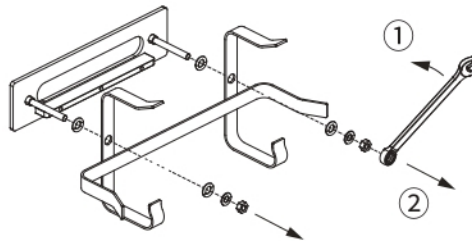
Note: Tools for cutting studs, wall/washbasin panel not listed here

01 Cut a rectangular hole on the wall/washbasin panel



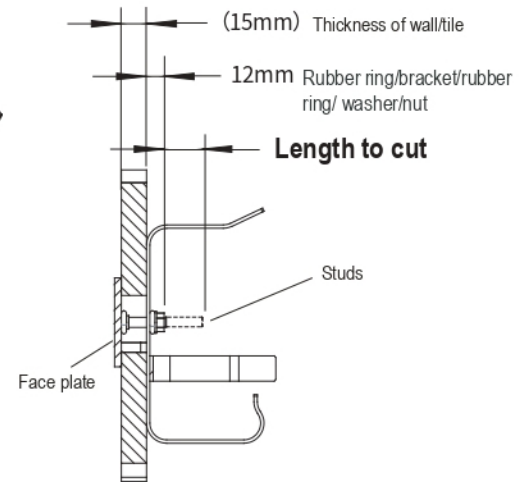
Rectangular hole:
Length: 175~194mm
Width: 29~34mm

02 Separate bracket from face plate

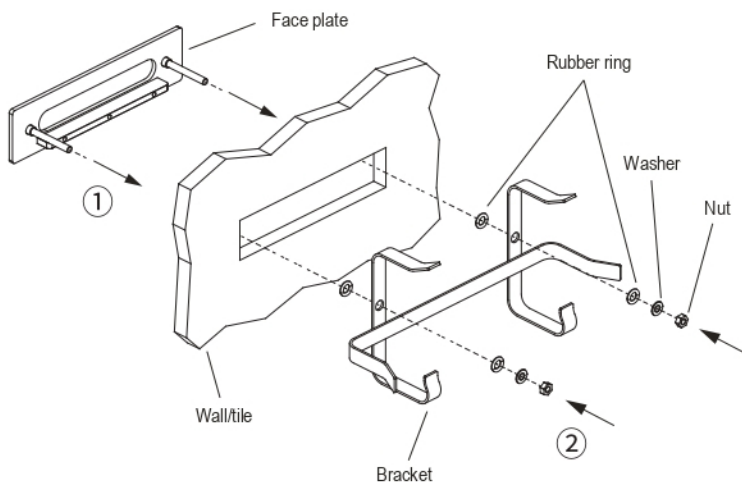


03 Cut the studs to suitable length

Cut the studs short for the thickness of the wall/tile. Make the end of the stud flush with the nut after installation locking



04 Place the parts as installation diagram below



05 Lock the bracket

