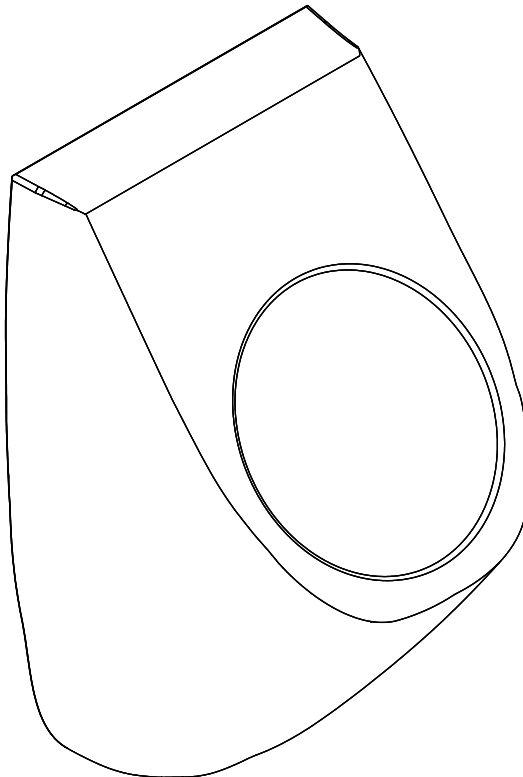


# AQUAECO

WASHROOM AND PLUMBING SOLUTIONS

---

## Installation Guide



**AQS-ATT-480-WH**  
ATTACHE WALL MOUNTED URINAL



## IMPORTANT PLEASE READ

Remove all packaging and check the product for missing parts or damage before starting installation.

Any alterations made to this product and fittings may infringe water regulations and invalidate the guarantee.

The Installation must comply with all Local/National Water Supply Authority Regulations/Byelaws and Building and Plumbing Regulations.

We strongly recommend that your product be installed by a reputable qualified trade's person.

### **General Installation:**

**Please note this product can require 2 or more persons to lift and manoeuvre into position.**

To the installer: Please read and follow this instruction carefully, as the guarantee is only valid if the product is installed as directed.

Don't rush, read the instructions first and run through them before you begin. Keep fittings together to avoid loss. Do not over tighten screws or bolts.

If the unit is covered with polyethylene protective film, do not remove until installation is complete to grant maximum protection. However, remove film where any two surfaces will be in permanent contact.

Verify that all dimensions on the plan are the same as the ones of the product.

Please leave this installation manual with the end user once the product has been installed.

### **Product Aftercare:**

We recommend cleaning with a soft damp cloth and mild soap solution.

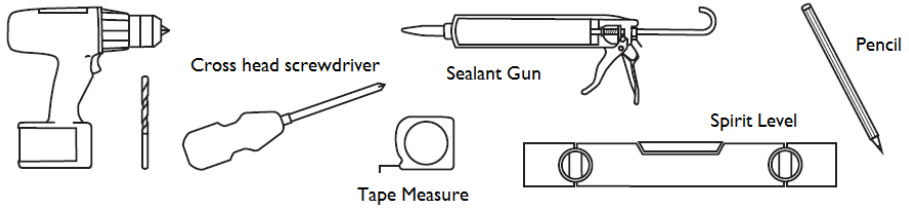
Do not use cream cleaners or cleaners containing bleach.

Do not scrub or scour.

Do not use abrasive cleaning agents.

Do not use solvent based cleaners.

## TOOLS REQUIRED (Not supplied)

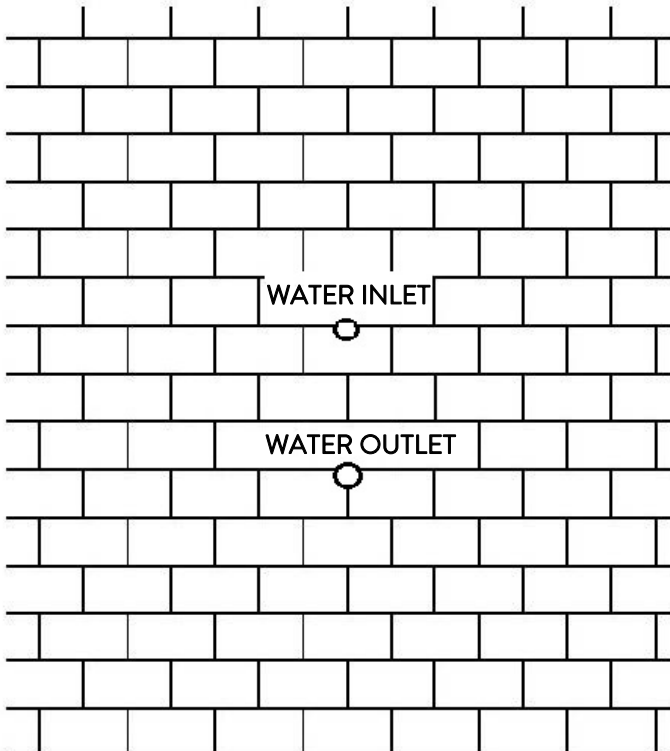


### Drill and drill bits:

Required when securing the fixing kit to the floor. Use an appropriate size bit to match the floor fixing chosen (floor screws and fixing may not be supplied).

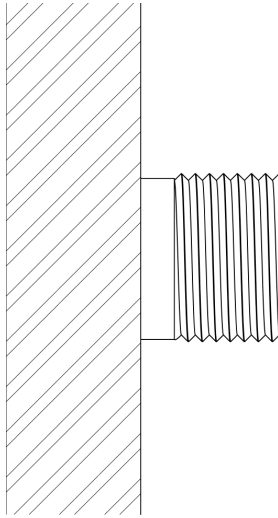
### Pre-Installation - Solid Wall:

For hollow wall the same criteria are required unless you have a permanent access to the rear of product in this instance the pipe work's can be pushed through the wall and connected at the rear



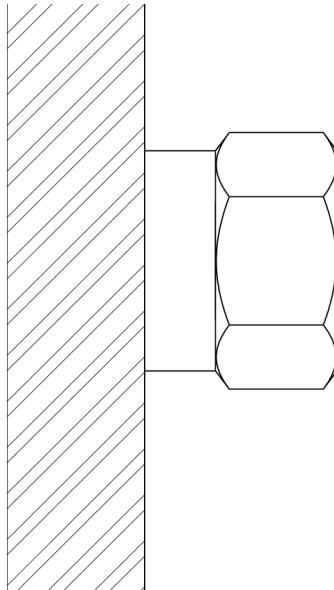
**A - Water Inlet Options:**

Horizontal inlet - 1/2" male fitting to be installed on the wall.

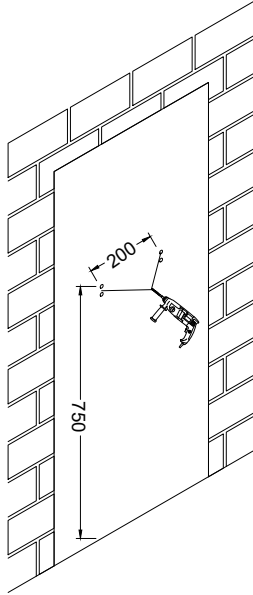


**B - Water Outlet Options:**

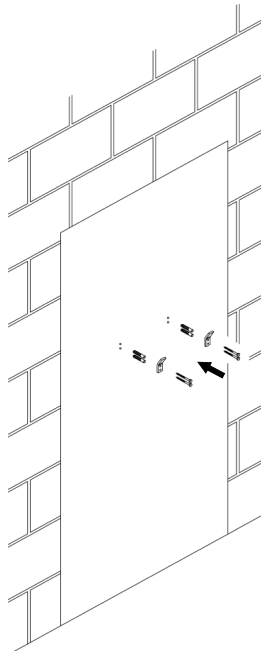
Horizontal inlet - 1.1/2" mechanical plastic connection or push-fit type (please check flexi outlet diameter for correct fit)



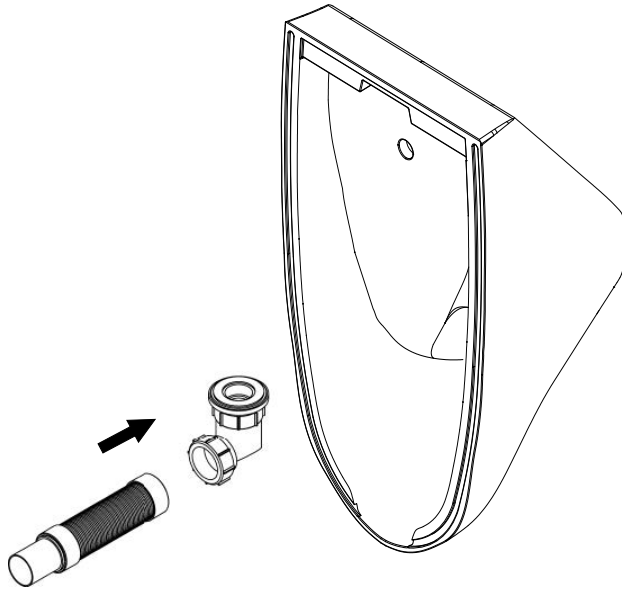
After the wall final coating, measure 200mm and draw a horizontal line in center of A & B vertically and the height will be 750. make hole on both side of the horizontal line with drill.



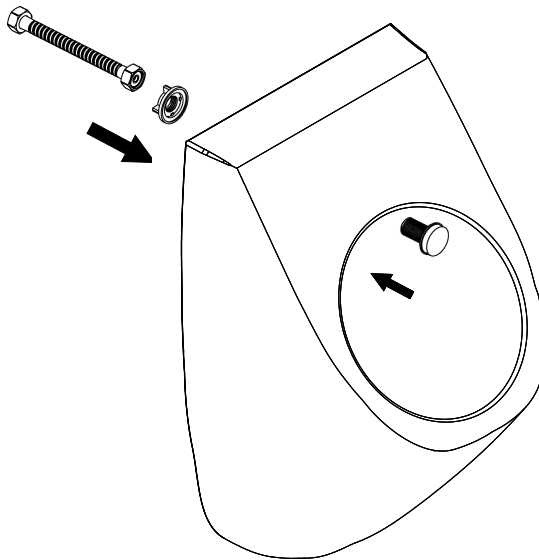
Push plastic fisher wall plugs into wall then install the Urinal fixing Bracket with flat head screws.



Carefully lift the urinal & install the Urinal waste trap and waste pipe.



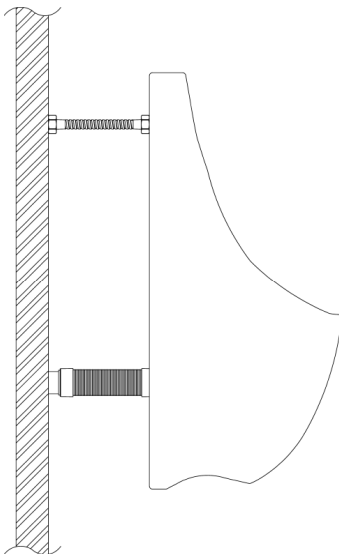
After installing urinal waste install the urinal spreader & connect the hose to the spreader.



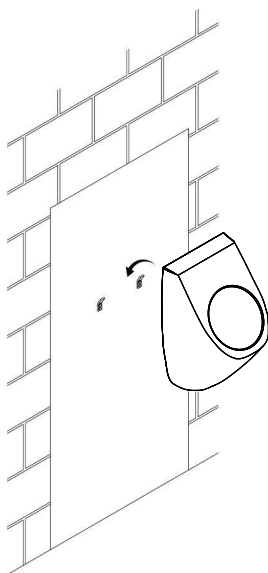
**NOTE:**

2 People will be required to install the urinal to wall, one person for the urinal so other can perform the connection.

Carefully lift the urinal and connect the hose to the water inlet valve & waste pipe to waste outlet valve.



Put urinal into urinal brackets.

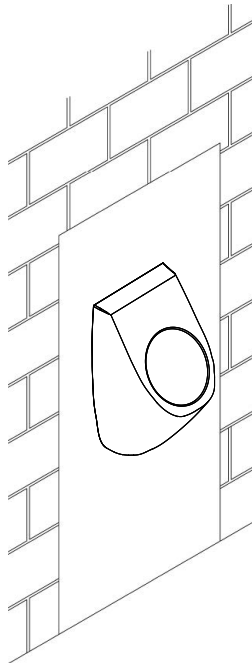
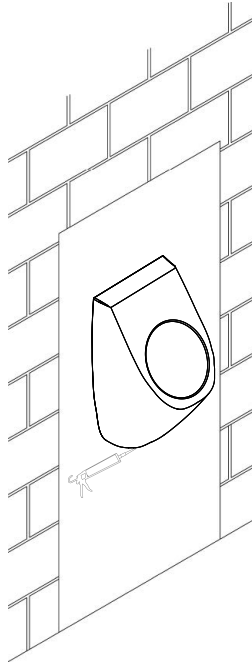


**NOTE:**

2 People will be required to install the urinal to wall, one person for the urinal so other can perform the connection.



After connecting all valve perform a flush test to check for leaks, if no leak appear, run a small bead of silicon around the perimeter base.



**INSTALLATION COMPLETE**





