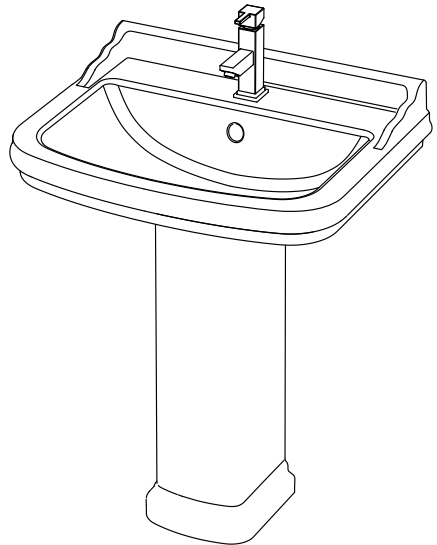
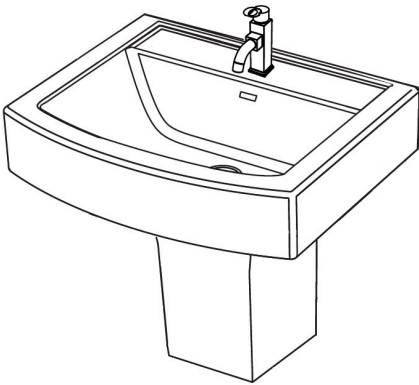


# AQUAECO

WASHROOM AND PLUMBING SOLUTIONS

---

## Installation Guide



### AQS-PED-BASIN

AQUAECO PADESTAL & WASHBASIN

A member of SANIPEXGROUP  
[www.sanipexgroup.com](http://www.sanipexgroup.com)



## IMPORTANT PLEASE READ

Remove all packaging and check the product for missing parts or damage before starting installation.

Any alterations made to this product and fittings may infringe water regulations and invalidate the guarantee.

The Installation must comply with all Local/National Water Supply Authority Regulations/Byelaws and Building and Plumbing Regulations.

We strongly recommend that your product be installed by a reputable qualified trade's person.

### **General Installation:**

**Please note this product can require 2 or more persons to lift and manoeuvre into position.**

To the installer: Please read and follow this instruction carefully, as the guarantee is only valid if the product is installed as directed.

Don't rush, read the instructions first and run through them before you begin. Keep fittings together to avoid loss. Do not over tighten screws or bolts.

If the unit is covered with polyethylene protective film, do not remove until installation is complete to grant maximum protection. However, remove film where any two surfaces will be in permanent contact.

Verify that all dimensions on the plan are the same as the ones of the product.

Please leave this installation manual with the end user once the product has been installed.

### **Product Aftercare:**

We recommend cleaning with a soft damp cloth and mild soap solution.

Do not use cream cleaners or cleaners containing bleach.

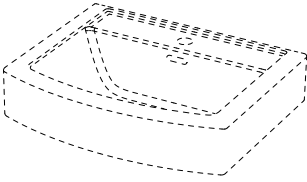
Do not scrub or scour.

Do not use abrasive cleaning agents.

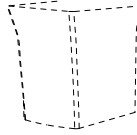
Do not use solvent based cleaners.

# Washbasin with Half Pedestal

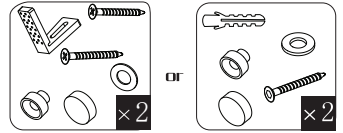
## Spare Parts



Washbasin

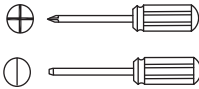


Half Pedestal

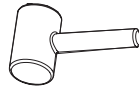


Fixing Screws for Half Pedestal

## Tools (Not Provided)



Tournevis



Hammer



Tape Measure



Drill



Double Open  
Ended Wrench



Adjustable Wrench



Pencil

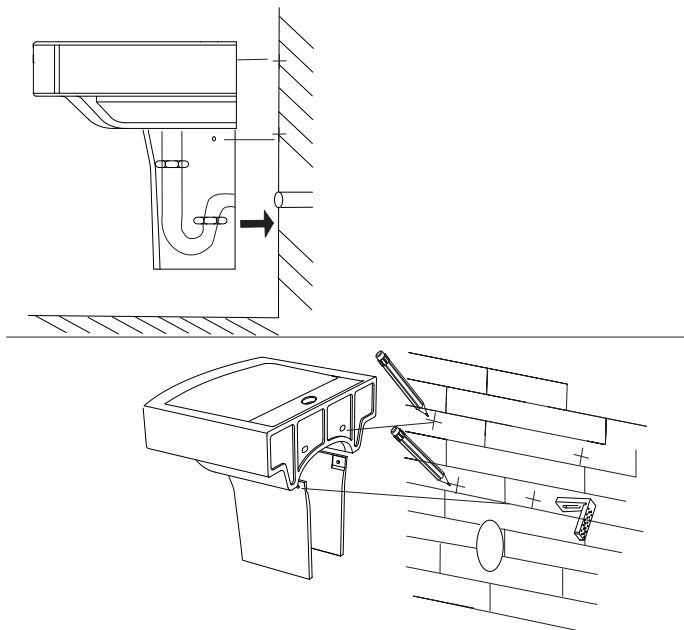
## **NOTICE**

1. Make sure the water supply valve is shut off before installation.
2. Make sure that you have access to all plumbing and drain fittings, door clearance and any other obstructions.

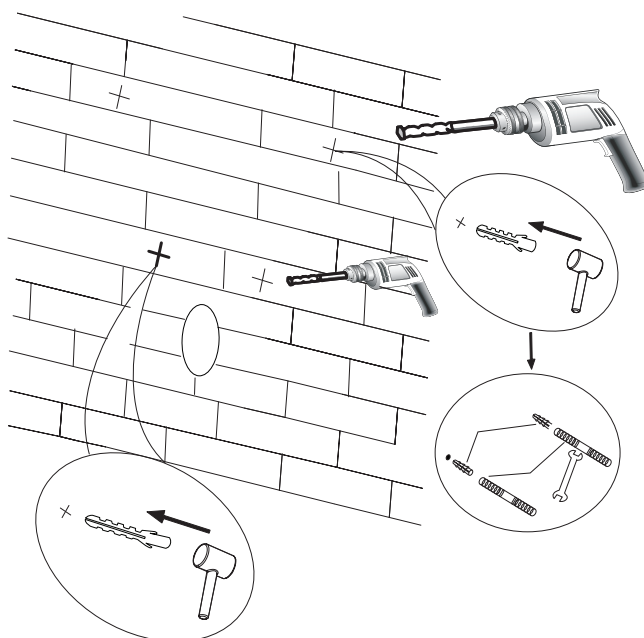
## **MAINTENANCE**

Use soft moist cloth for cleaning of the basin and half pedestal Do not use abrasives and hard cloth. Regular cleaning with the soap solution is recommended do not use strong bleaching agent sin cast acid liquids penetrate on the surface remove them immediately with soft cloth.

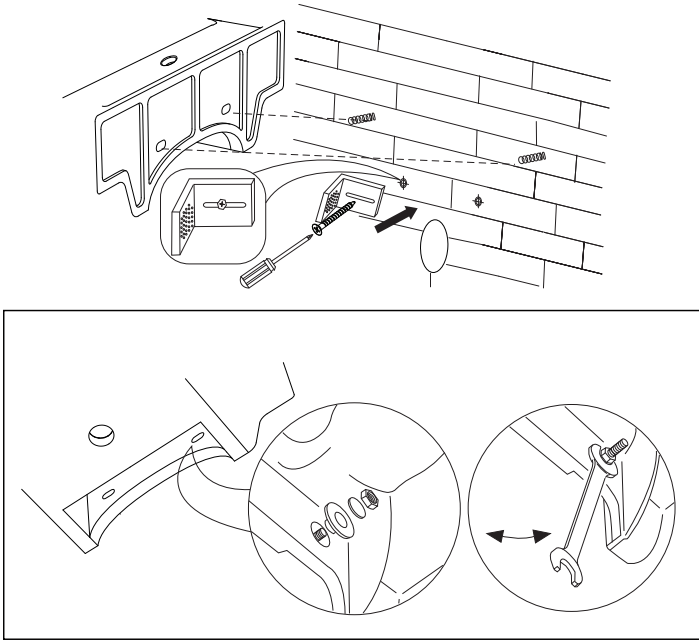
## 1. CHECK POSITION OF INSTALLTION



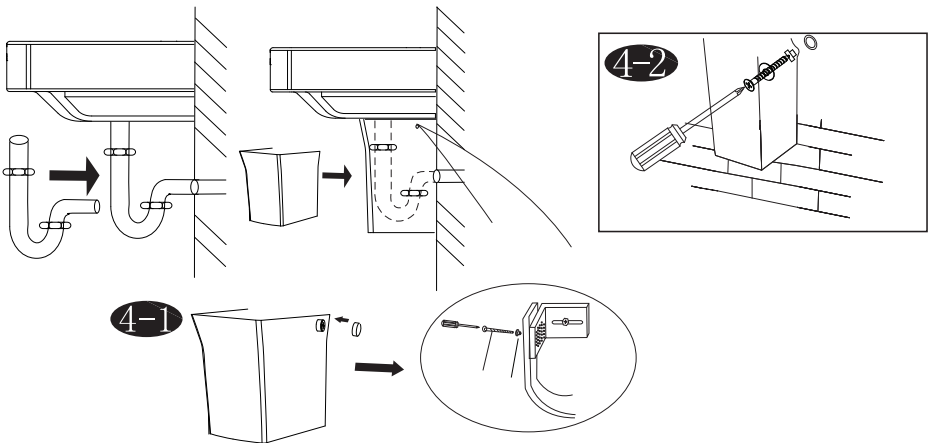
## 2. DRILL HOLES AND INSTALL SCREWS

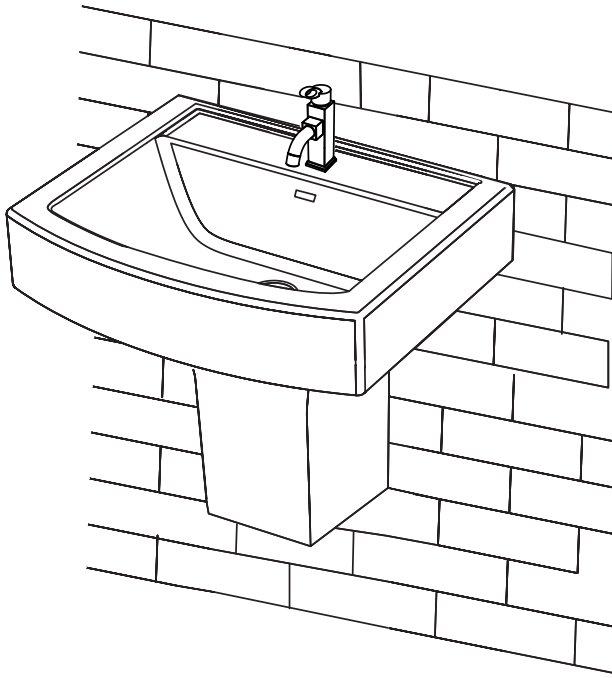


### 3. CHECK POSITION OF INSTALLTION



### 4. DRILL HOLES AND INSTALL SCREWS

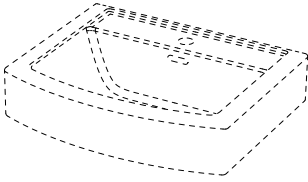




**INSTALLATION COMPLETE**

# Washbasin with Pedestal

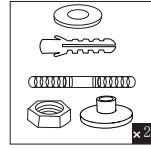
## Spare Parts



Washbasin

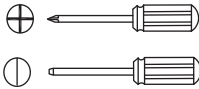


Pedestal

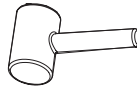


Fixing Screws

## Tools (Not Provided)



Tournevis



Hammer



Tape Measure



Drill



Double Open  
Ended Wrench



Adjustable Wrench



Pencil

## NOTICE

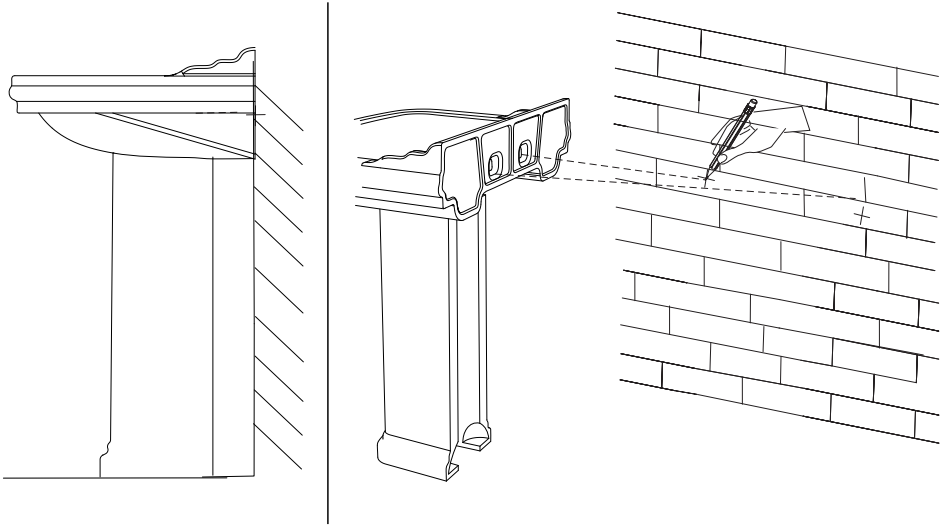
1. Make sure the water supply valve is shut off before installation.
2. Make sure that you have access to all plumbing and drain fittings, door clearance and any other obstructions.

## MAINTENANCE

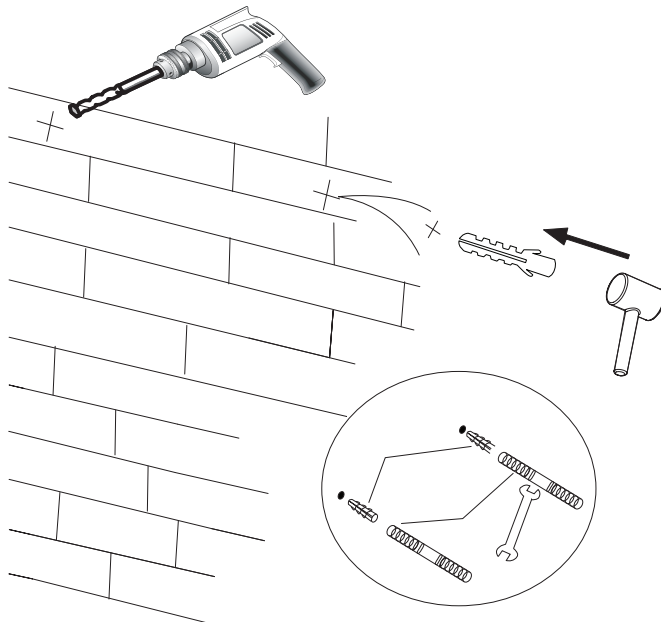
Use soft moist cloth for cleaning of the basin and half pedestal Do not use abrasives and hard cloth. Regular cleaning with the soap solution is recommended do not use strong bleaching agent sin cast acid liquids penetrate on the surface remove them immediately with soft cloth.



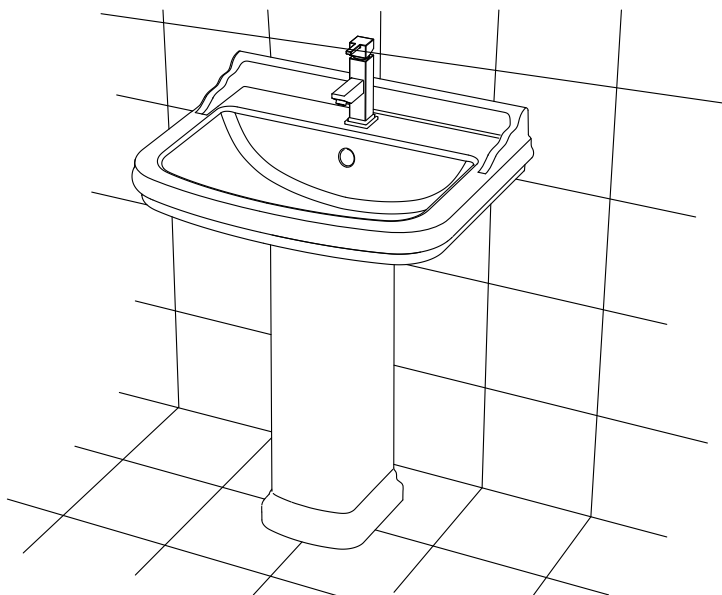
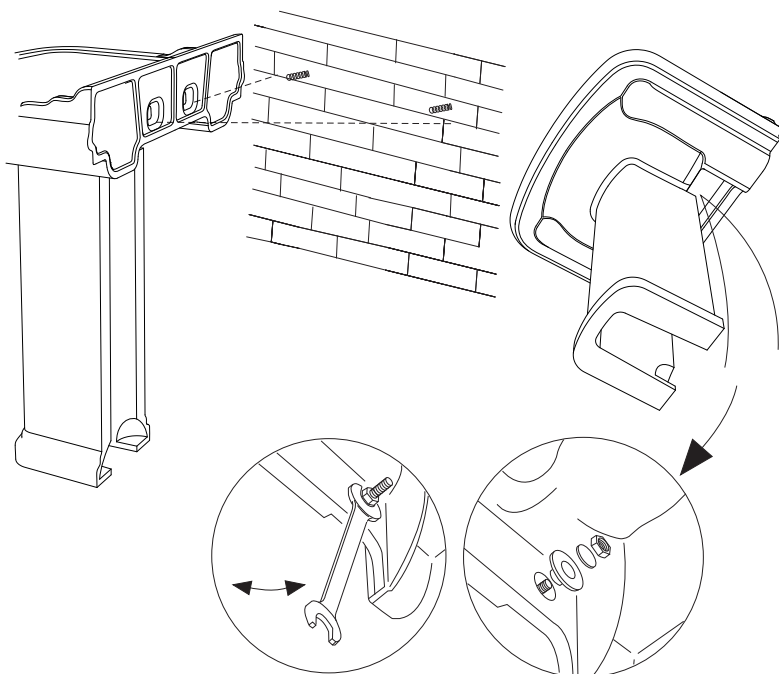
## 1. CHECK POSITION OF INSTALLTION



## 2. DRILL HOLES AND INSTALL SCREWS



### 3. INSTALL THE BASIN



**INSTALLATION COMPLETE**



# AQUAECO

WASHROOM AND PLUMBING SOLUTIONS

---

---

---

---

---

---

---

---

---

---

---

---