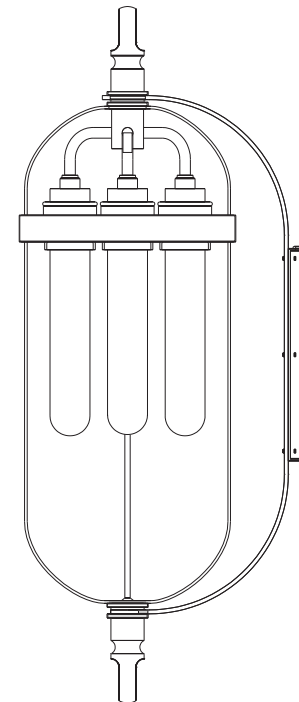




ASTON WALL LIGHT INSTRUCTION MANUAL

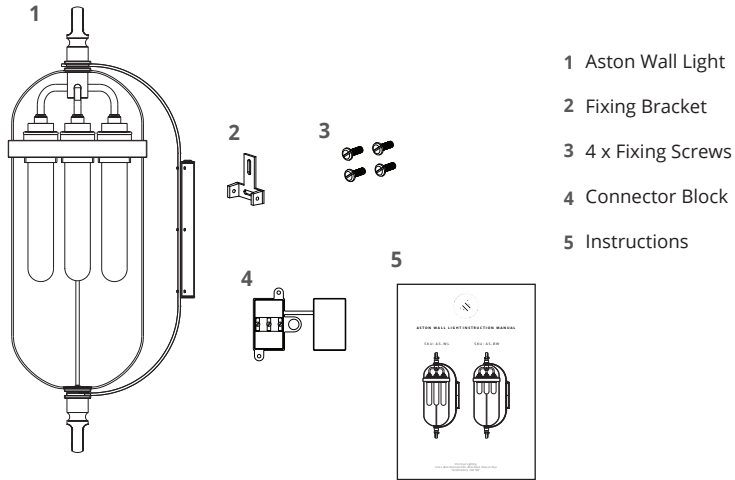
SKU: AS-WL



Fritz Fryer Lighting,
Unit 3 Alton Business Park, Alton Road, Ross-on-Wye
Herefordshire, HR9 5BP

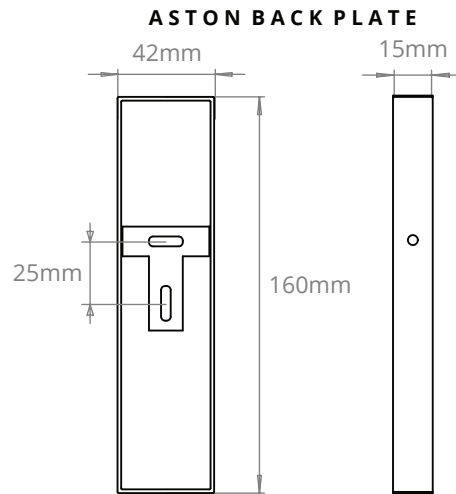
CONTENTS

You will receive the below items with your Aston wall light :



BACK PLATE FIXINGS

Your Aston wall light will come with the below back plate. You can see the dimensions below and the distance between the fixing holes.



SAFETY

We recommend a qualified electrician installs all fittings. If in any doubt it is essential an electrician is consulted. The light fitting must be installed in accordance with all current IEE wiring regulations and in line with all current, local building regulations. When deciding where to locate the fitting, please be aware that the glass shades are breakable and if broken, may cause injury.

INSTALLATION

1. Ensure the electrical supply is disconnected; turn OFF at the consumer unit/fuse board, before you begin.
2. Position the fixing bracket in the desired location and mark the position of the fixing holes with a pencil. Drill a pilot hole and insert wall plug if necessary.
3. Screw the fixing bracket to the wall with the fixing screws provided.
3. When the fitting is being connected to the electrical connections it is important that the weight of the fitting is supported so that no strain is applied to the wiring.

ELECTRICAL CONNECTION

1. This light fitting **must be earthed**.
2. We recommend this light fitting is connected using the terminal block provided, which is compliant to be installed inside a wall or ceiling cavity.
3. Connect the earth conductor of the electrical supply to the earth terminal on the ceiling plate and the wire coloured yellow and green on the light fitting.
4. Connect the switched live conductor of the electrical supply to the live terminal or wire coloured brown on the light.
5. Connect the neutral conductor of your electrical supply to the neutral terminal of wire coloured blue on the light fitting.
6. Check that all the connections are secure and that no loose strands of wire are left outside the connector. Check that no wires are trapped behind the back plate or fitting before securing the plate to the fixing bracket using the screws on the side of the fitting.
7. Switch on the electricity and test.

REPLACING A LIGHTBULB

1. Switch off at mains before changing a light bulb.
2. Unscrew the brass ring from the loop on the bottom of the Aston wall light.
3. Gently pull the fitting away from the bracket and out of the prongs at the bottom.
4. Remove the glass shade.
5. Replace the bulb - **Ensure the replacement bulb does not exceed the wattage on the wattage sticker.**
6. Replace the glass shade.
7. Replace the brass ring on the end and tighten.

**Do not leave a light fitting without a bulb in position as this causes danger of electric shock.*

WARRANTY

To prevent voiding your 24 month warranty, if the light fails it shall be exclusively replaced or repaired by Fritz Fryer Lighting.

MAINTENANCE

Clean only with a soft, dry cloth. Do not use polishes or abrasives as it may scratch or remove the lacquer. Glass shades can be wiped with an anti static cloth or with glass cleaner.