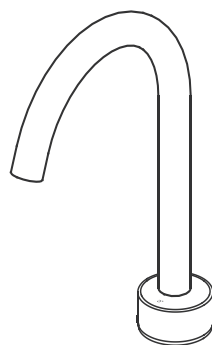


**AXENT**  
SWITZERLAND



AXENT.ZERO  
BASIN MIXER 260 TOUCH

F40.0126.01X1.3

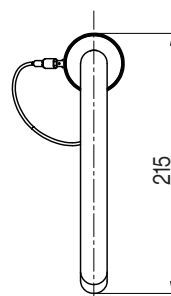
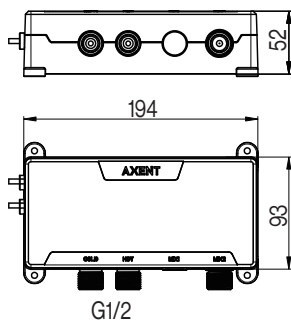
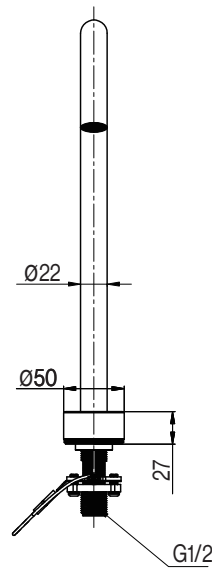
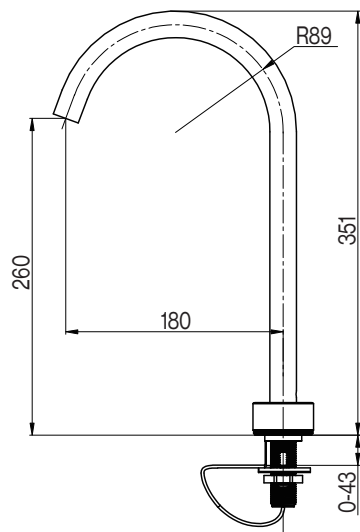
**INSTALLATION INSTRUCTION**

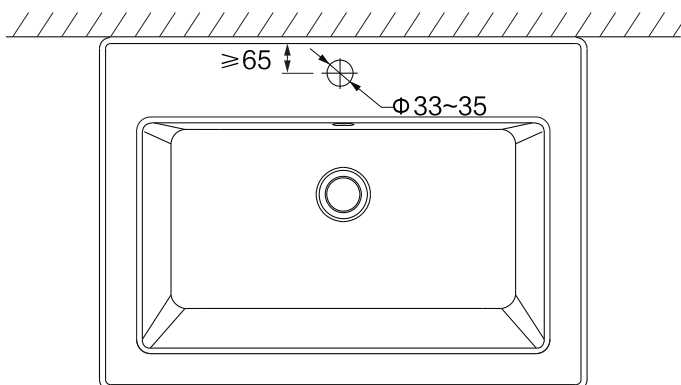
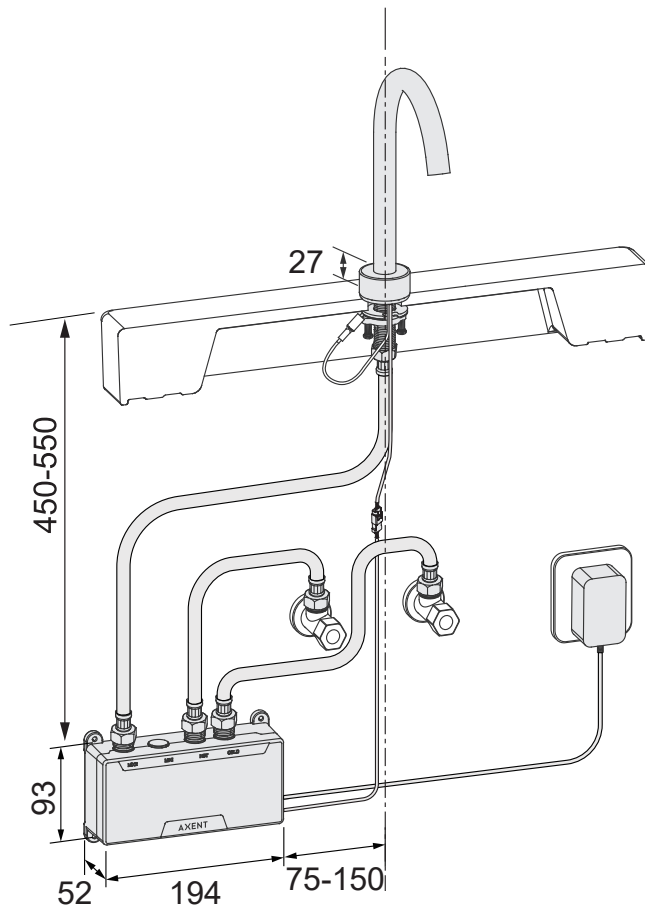


DANGER

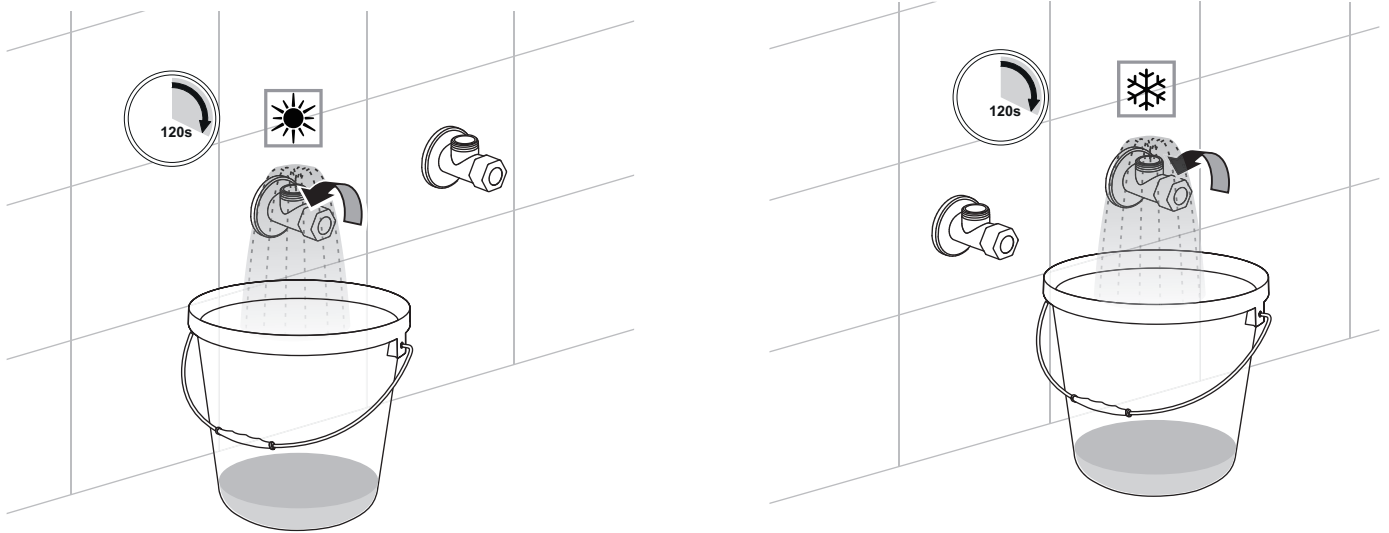
Electric shock hazard

The device may only be operated at power outlets or fixed connections with protective earthing.

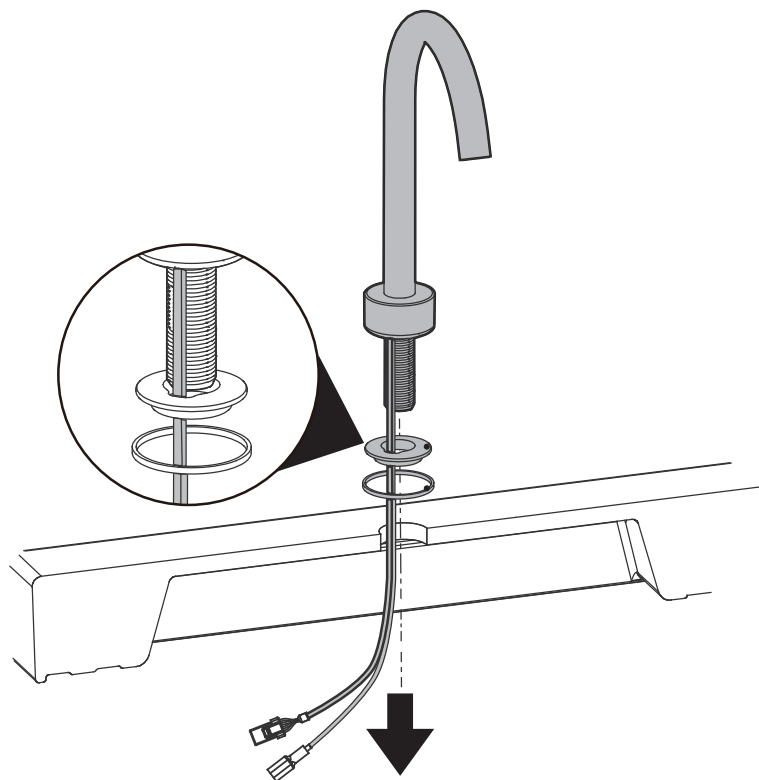




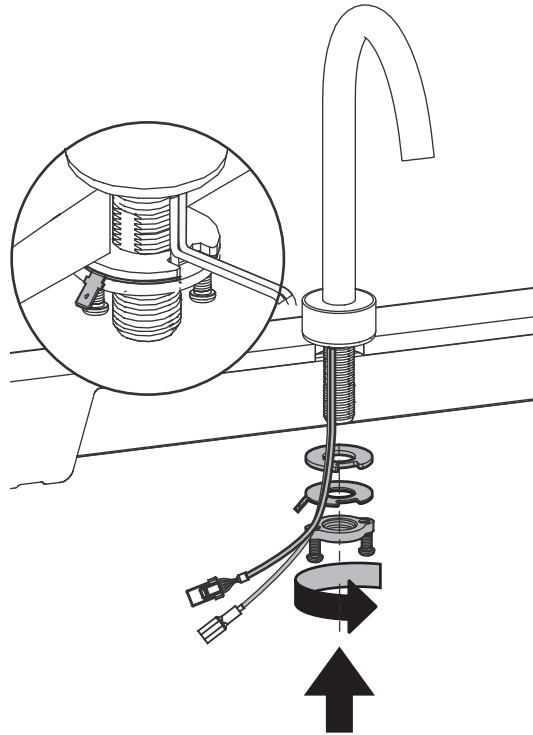
1



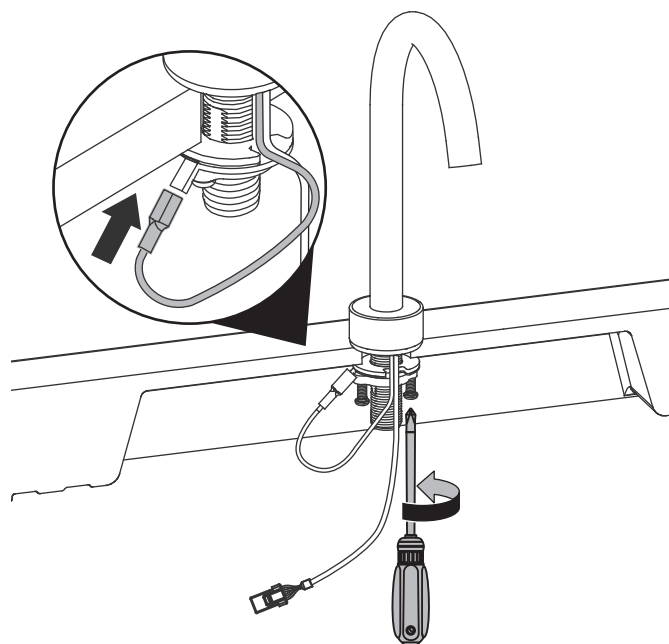
2



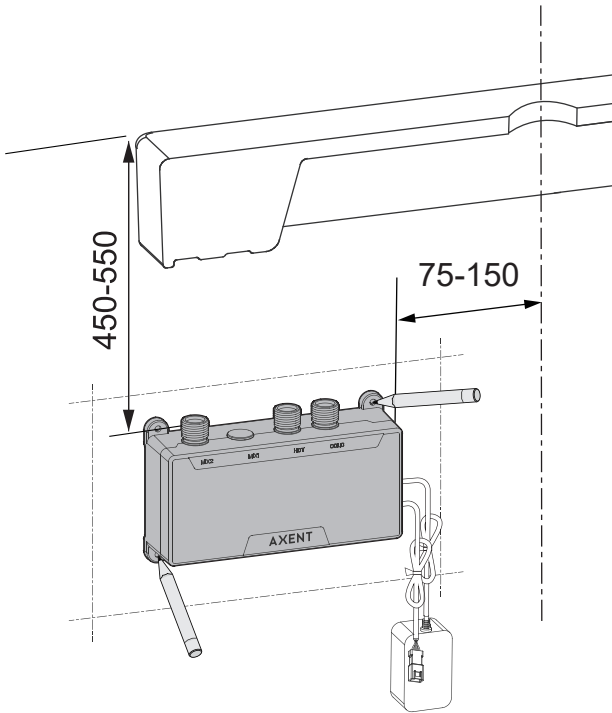
3



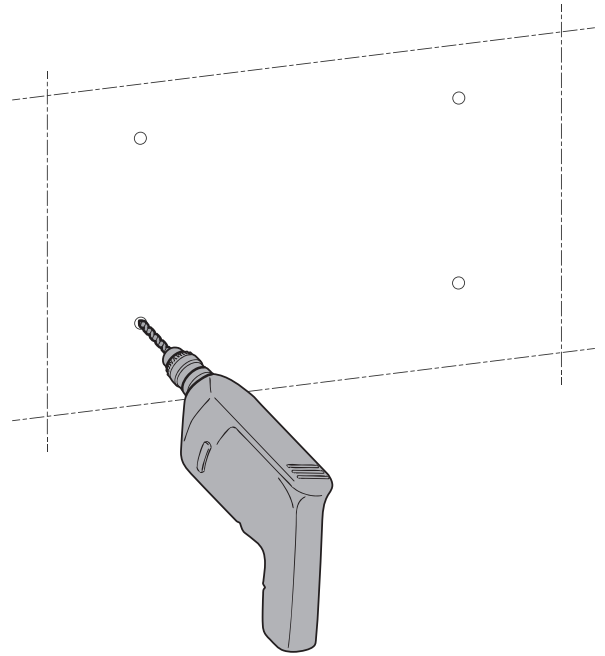
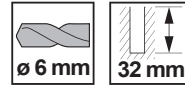
4



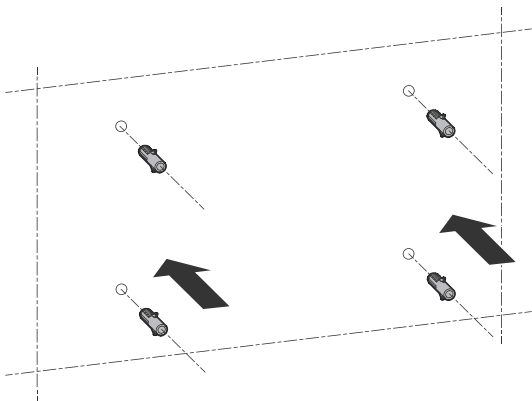
5



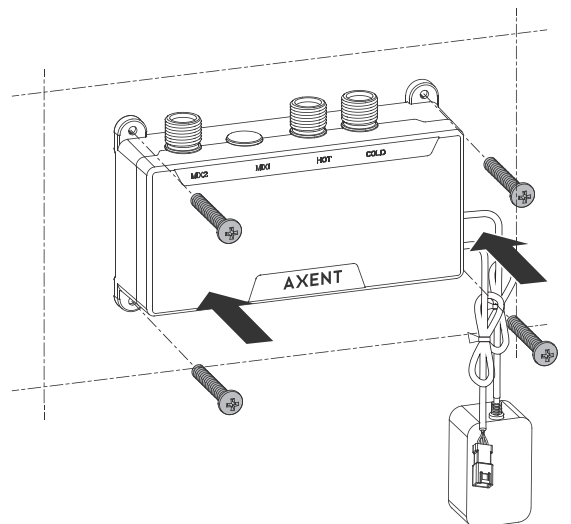
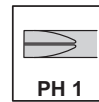
6



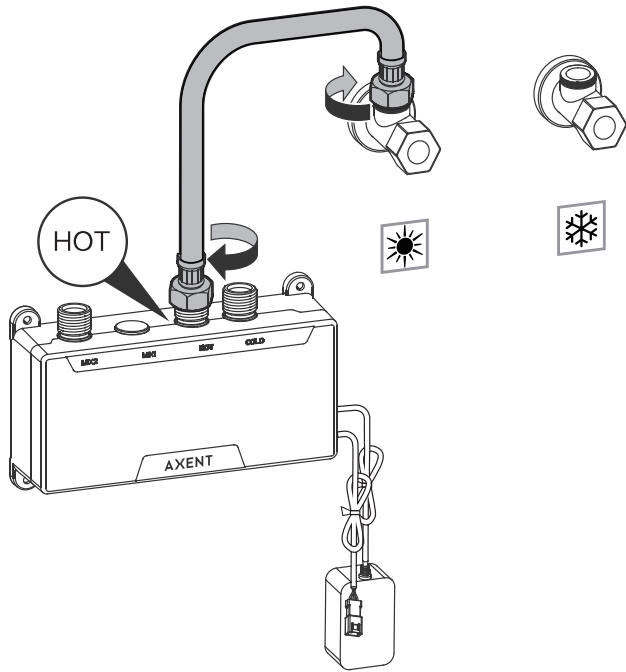
7



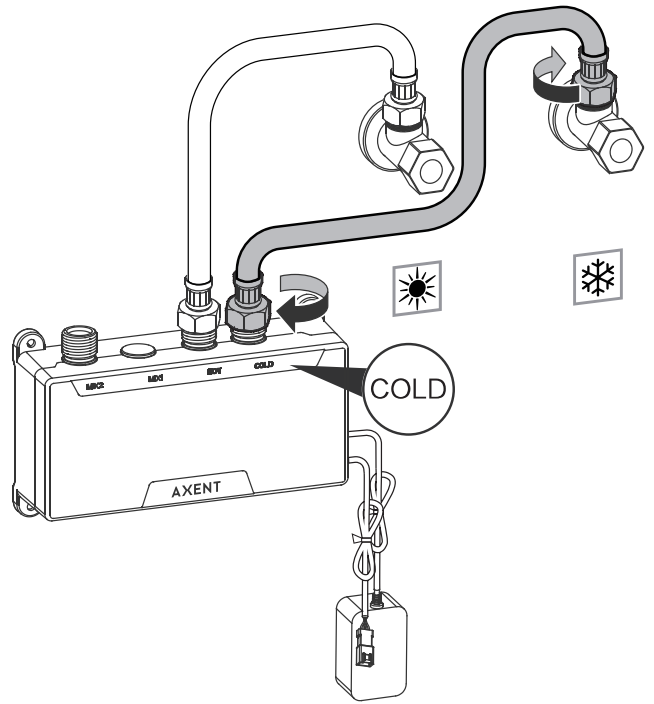
8



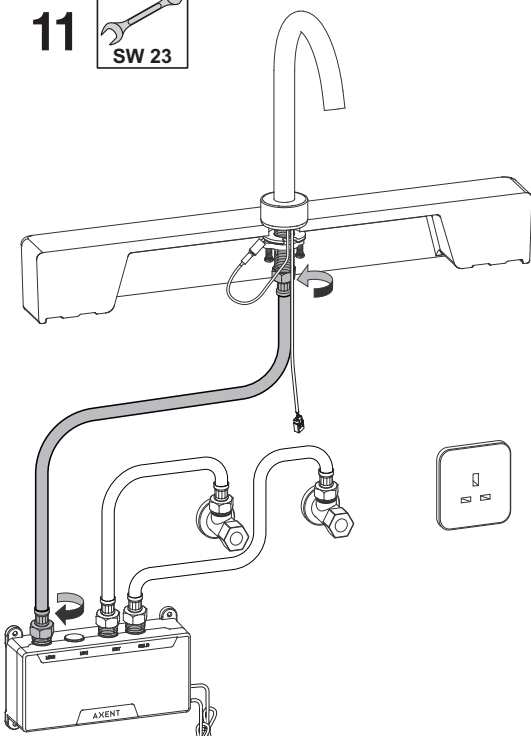
9   
SW 23



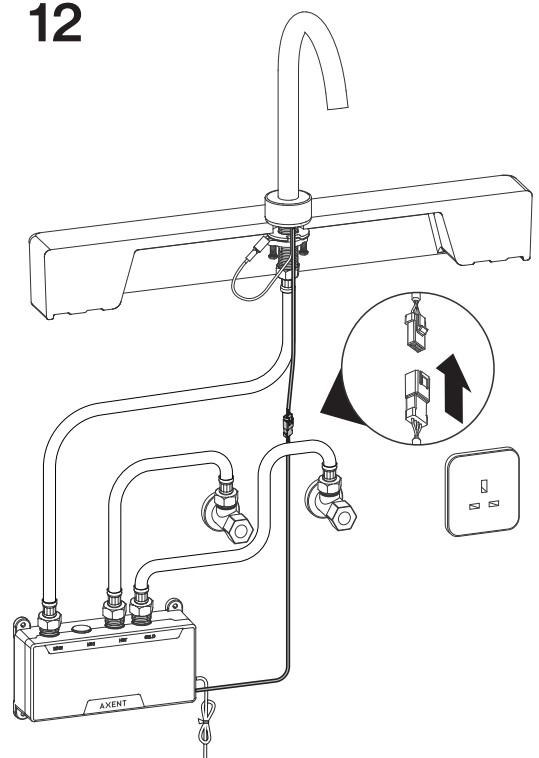
10   
SW 23



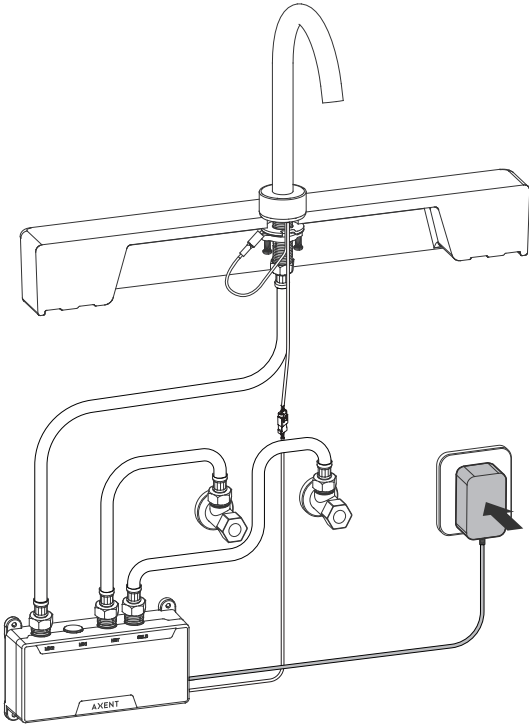
11   
SW 23



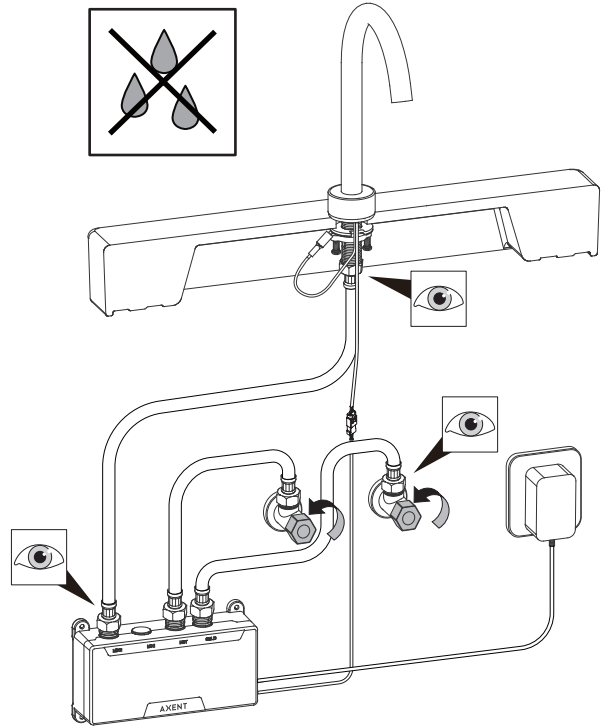
12



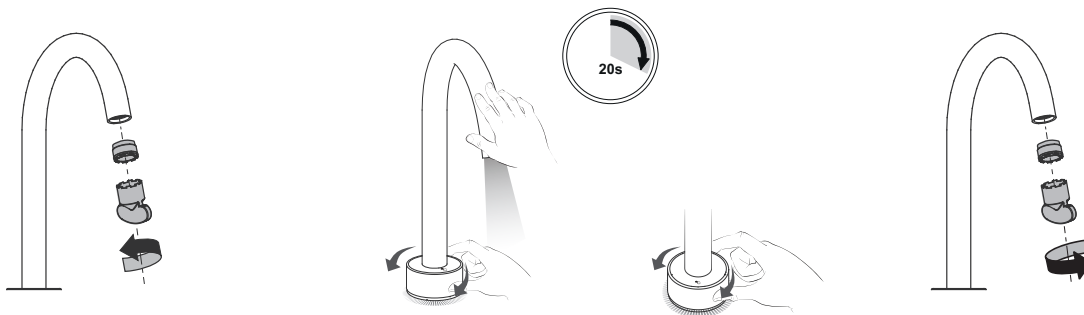
13



14



15







**AXENT International AG**

info@axentbath.ch  
www.axentbath.ch